

# Chapter 12

---

## Exploded Parts View

### When Ordering

When ordering Parts or Accessories from your local Sea Recovery Dealer or from Sea Recovery direct, you can save time and ensure that you receive the correct part by providing the following information:

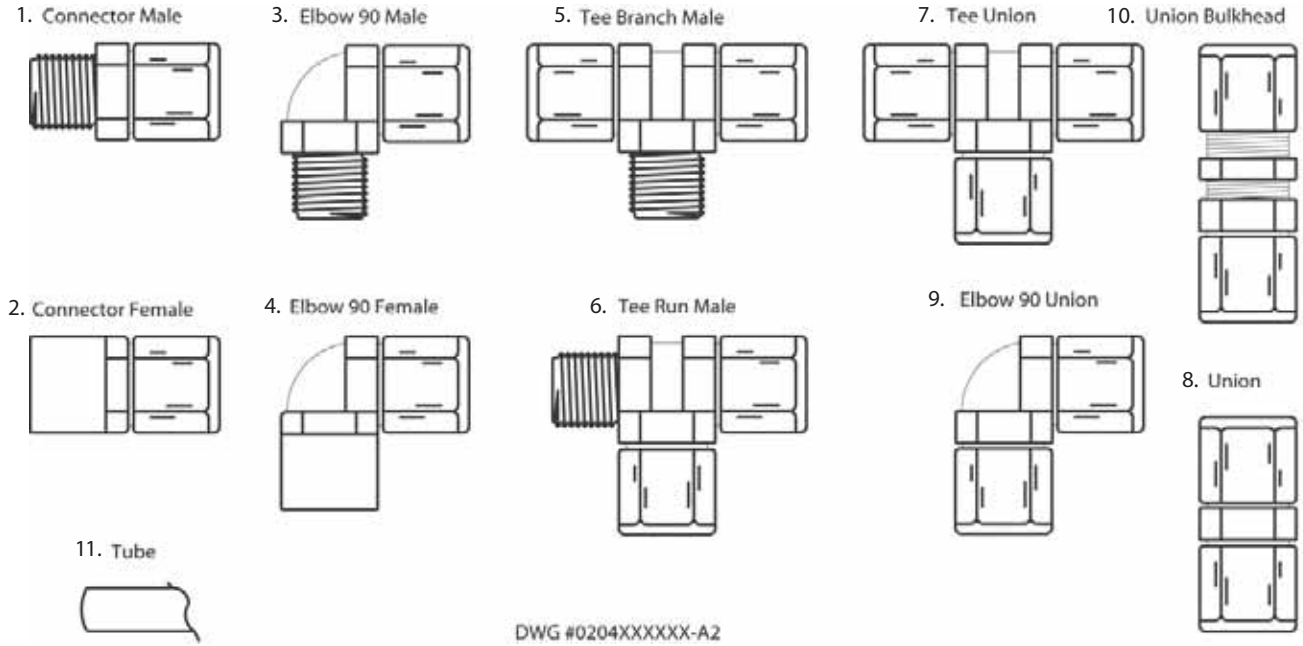
System	System Style	System Production	System Serial #
Sea Recovery	Compact / Modular	450-1 (one short 21" (53.3 cm) long RO Membrane Element)	Serial Number
Sea Recovery	Compact / Modular	700-1 (one medium 31" (78.7 cm) long RO Membrane Element)	Serial Number
Sea Recovery	Compact / Modular	900-1 (one long 40" (101.6 cm) long RO Membrane Element)	Serial Number
Sea Recovery	Compact / Modular	900-2 (two short 21" (53.3 cm)" long RO Membrane Element)	Serial Number
Sea Recovery	Compact / Modular	1400-2 (two medium 31" long RO Membrane Element)	Serial Number
Sea Recovery	Compact / Modular	1800-2 (two long 40" long RO Membrane Element)	Serial Number

Provide us with information on the part that you wish to order:

Part Number | Part Description | Quantity

Having this information will expedite your request and ensure that you receive the correct part.

## Available Tubes and Fittings



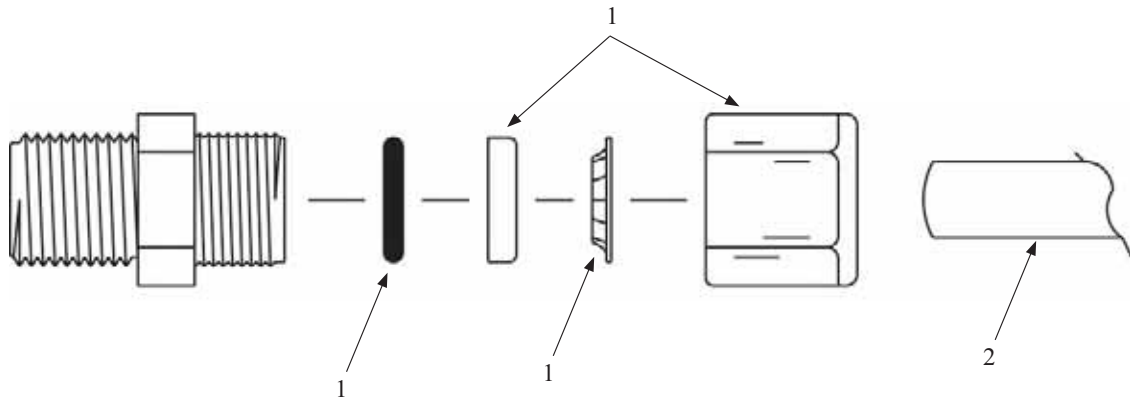
DWG #0204XXXXXX-A2

PART NO	DESCRIPTION
1. CONNECTOR MALE	
0204090669	1/4 inch tube x 1/8 inch mnpt
0204090869	1/4 inch tube x 1/4 inch mnpt
0204091669	3/8 inch tube x 1/8 inch mnpt
0204091769	3/8 inch tube x 1/4 inch mnpt
0204091869	3/8 inch tube x 3/8 inch mnpt
0204091969	3/8 inch tube x 1/2 inch mnpt
0204092069	3/8 inch tube x 3/4 inch mnpt
0204092269	1/2 inch tube x 1/8 inch mnpt
0204092369	1/2 inch tube x 1/4 inch mnpt
0204092469	1/2 inch tube x 3/8 inch mnpt
0204092569	1/2 inch tube x 1/2 inch mnpt
0204092669	1/2 inch tube x 3/4 inch mnpt
0204099069	5/8 inch tube x 1/8 inch mnpt
0204099169	5/8 inch tube x 1/4 inch mnpt
0204092869	5/8 inch tube x 3/8 inch mnpt
0204092969	5/8 inch tube x 1/2 inch mnpt
0204093169	5/8 inch tube x 3/4 inch mnpt
2. CONNECTOR FEMALE	
0204120669	1/4 inch tube x 1/8 inch fnpt
0204120869	1/4 inch tube x 1/4 inch fnpt
0204121769	3/8 inch tube x 1/4 inch fnpt
0204121869	3/8 inch tube x 3/8 inch fnpt
0204121969	3/8 inch tube x 1/2 inch fnpt

PART NO	DESCRIPTION
0204122569	1/2 inch tube x 1/2 inch fnpt
0204122669	1/2 inch tube x 3/4 inch fnpt
0204122969	5/8 inch tube x 1/2 inch fnpt
3. ELBOW 90 MALE	
0204020669	1/4 inch tube x 1/8 inch mnpt
0204020869	1/4 inch tube x 1/4 inch mnpt
0204020969	1/4 inch tube x 3/8 inch mnpt
0204021769	3/8 inch tube x 1/4 inch mnpt
0204021869	3/8 inch tube x 3/8 inch mnpt
0204021969	3/8 inch tube x 1/2 inch mnpt
0204022069	3/8 inch tube x 3/4 inch mnpt
0204022469	1/2 inch tube x 3/8 inch mnpt
0204022569	1/2 inch tube x 1/2 inch mnpt
0204022969	5/8 inch tube x 1/2 inch mnpt
4. ELBOW 90 FEMALE	
0204010669	1/4 inch tube x 1/8 inch fnpt
0204010869	1/4 inch tube x 1/4 inch fnpt
0204011769	3/8 inch tube x 1/4 inch fnpt
0204011869	3/8 inch tube x 3/8 inch fnpt
0204012469	1/2 inch tube x 3/8 inch fnpt
0204012569	1/2 inch tube x 1/2 inch fnpt
0204012969	5/8 inch tube x 1/2 inch fnpt
5. BRANCH TEE MALE	
0204150669	1/4 inch tube x 1/8 inch mnpt
0204151769	3/8 inch tube x 1/4 inch mnpt
0204152469	1/2 inch tube x 3/8 inch mnpt
0204152969	5/8 inch tube x 1/2 inch mnpt
6. RUN TEE MALE	
0204170669	1/4 inch tube x 1/8 inch mnpt
0204170869	1/4 inch tube x 1/4 inch mnpt
0204171769	3/8 inch tube x 1/4 inch mnpt
0204171869	3/8 inch tube x 3/8 inch mnpt
0204172469	1/2 inch tube x 3/8 inch mnpt
0204172569	1/2 inch tube x 1/2 inch mnpt
0204172969	5/8 inch tube x 1/2 inch mnpt
7. UNION TEE	
0204240869	1/4 inch tube
0204241869	3/8 inch tube
0204242469	1/2 inch tube x 3/8 inch tube
0204242569	1/2 inch tube
0204242869	5/8 inch tube x 3/8 inch tube
0204243069	5/8 inch tube
8. UNION	

<b>PART NO</b>	<b>DESCRIPTION</b>
0204210869	1/4 inch tube
0204211769	3/8 inch tube x 1/4 inch tube
0204211869	3/8 inch tube
0204212469	1/2 inch tube x 3/8 inch tube
0204212569	1/2 inch tube
0204212869	5/8 inch tube x 3/8 inch tube
0204212969	5/8 inch tube x 1/2 inch tube
0204213069	5/8 inch tube
9. UNION ELBOW 90	
0204220869	1/4 inch tube
0204221769	3/8 inch tube x 1/4 inch tube
0204221869	3/8 inch tube
0204222569	1/2 inch tube
0204223069	5/8 inch tube
10. UNION BULKHEAD	
0204270869	1/4 inch tube
0204271869	3/8 inch tube
0204272569	1/2 inch tube
11. TUBE	
0312122969	1/4 inch tube Black Nylon
0306152969	1/4 inch tube Blue Polypropylene
0306142969	1/4 inch tube Red Polypropylene
0312124169	3/8 inch tube Black Nylon
0306154169	3/8 inch tube Blue Polypropylene
0306144169	3/8 inch tube Red Polypropylene
0312125069	1/2 inch tube Black Nylon
0305125869	5/8 inch tube Black Polypropylene

## Tube Compression Fittings Replacement Parts



ITEM	DESCRIPTION	PART NO.
FOR 1/4" O.D. TUBE		
1	NUT/SPACER/GRAB & O-RING 1/4"	0204-1/469
2	TUBE 1/4 BLACK	0312121969
FOR 3/8" O.D. TUBE		
1	NUT/SPACER/GRAB & O-RING 3/8"	0204-3/869
2	TUBE 3/8 BLACK	0312123569
FOR 1/2" O.D. TUBE		
1	NUT/SPACE/GRAB & O-RING 1/2"	0204-1/269
2	TUBE 1/2 BLACK NO SUBSTITUTE	0312124269
FOR 5/8" O.D. TUBE		
1	NUT/SPACER/GRAB & O-RING 5/8"	0204-5/869
2	TUBE 5/8 BLACK POLYPRO	0305125169

## B001195001 INSTALLATION KIT AND OWNERS MANUAL

ITEM NO.	QTY.	PART NUMBER	DESCRIPTION
1	2	01124225DG	TEE 1/2 FPT X FPT X FPT NYL
2	1	01122923DG	RB 1/2 MT X 1/4 FT NYL
3	1	0204020869	ELB90 1/4 TUBE X 1/4 MPT PLASTIC
4	1	01120137DG	ELB90 3/4 FPT X 3/4 FPT NYL
5	1	0112653700	ADAP 3/4 MPT X 3/4 BARB NYL
6	1	01120737DG	ELB90 3/4 MPT X 3/4 BARB NYL
7	1	0204021769	ELB90 3/8 TUBE X 1/4 MPT PLAST
8	1	0204021969	ELB90 3/8 TUBE X 1/2 MPT PLAST
9	1	0204090869	CONN 1/4 TUBE X 1/4 MPT PLAST
10	1	0204091869	CONN 3/8 TUBE X 3/8 MPT PLAST
11	2	01126526DG	ADAPT 1/2 MPT X 3/4 BARB NYL
12	1	0204091769	CONN 3/8 TUBE X 1/4 MPT PLAST
13	1	0204092469	CONN 1/2 TUBE X 3/8 MPT PLAST
14	5	061080028000	WASHER FLAT #10 SS
15	5	061170628020	SC PHIL PAN "A" #10X1-1/4L SS
16	24	061172143000	SC HEX "A" 1/4X1"L SS
17	24	061100043000	WASHER FLAT OS 1/4 SS
18	16	05181434AA	HOSE CLAMP 3/4" SS
19	12 FEET	0328066666	HOSE CLEAR BRAID 3/4"
20	20 FEET	0312124269	TUBE 1/2 BLACK
21	10 FEET	0312121969	TUBE 1/4 BLACK
22	50 FEET	0312123569	TUBE 3/8 BLACK
23	1	0421056739	SEA STRAINER-3/4 BRONZE
24	1	B647800003	PUMP OIL 16 OZ
25	1	B651950001	OWNERS MANUAL AWP



①  
QTY: 2



②  
QTY: 1



③  
QTY: 1



④  
QTY: 1



⑤  
QTY: 1



⑥  
QTY: 1



⑦  
QTY: 1



⑧  
QTY: 1



⑨  
QTY: 1



⑩  
QTY: 1



⑪  
QTY: 2



⑫  
QTY: 1



⑬  
QTY: 1



⑭  
QTY: 5



⑮  
QTY: 5



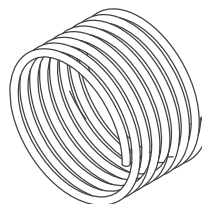
⑯  
QTY: 24



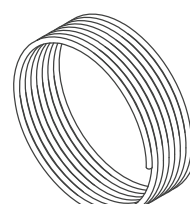
⑰  
QTY: 24



⑱  
QTY: 10



⑲  
QTY: 12 FEET



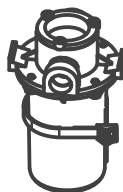
⑳  
QTY: 20 FEET



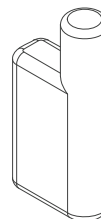
㉑  
QTY: 10 FEET



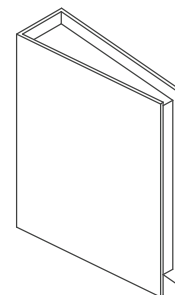
㉒  
QTY: 50 FEET



㉓  
QTY: 1



㉔  
QTY: 1



㉕  
QTY: 1

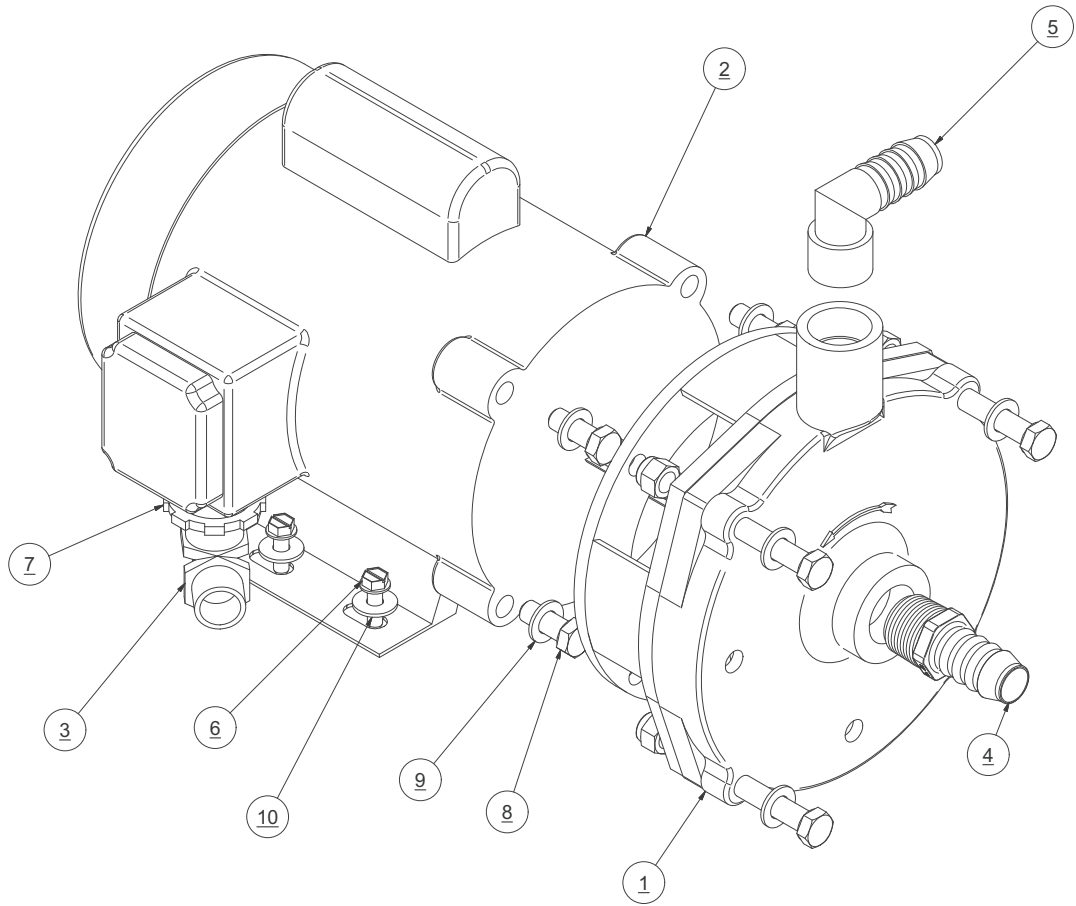
## B016080026 BOOSTER PUMP ASSY 1PH HP75

ITEM NO.	QTY.	PART NUMBER	DESCRIPTION
1	1	1205514772	BOOSTER PUMP HEAD HP75 W-4.75 IN IMPELLER
2	1	1519081110	MOTOR .50 HP 110-230-50-60-1PH
3	1	1920023632	STRAIN RELIEF 90 CG90-6250
4	1	0112653700	ADAP .75 MPT X.75 BARB NYLON
5	1	01120737DG	ELB90 .75 MPT X .75 BARB NYLON
6	4	061172143016	SCREX,HEX A, .25x1.00,SS
7	1	063200066000	NUT LOCK .50 STEEL
8	4	061142157016	SCREW,HEX HEAD,3/8-16x1",SS
9	4	061080056000	WASHER,FLAT,3/8",SS
10	4	061100043000	WASHER,FLAT,OS,1/4",SS

### RECOMMENDED SPARES

PART NUMBER	DESCRIPTION
2625130172	SEAL/SEAT BOOSTER PMP HP75 AB/SS
1205514772-1	GASKET/ORING HP75 PP
29020350072	IMPELLER 5" HP75 CPVC80



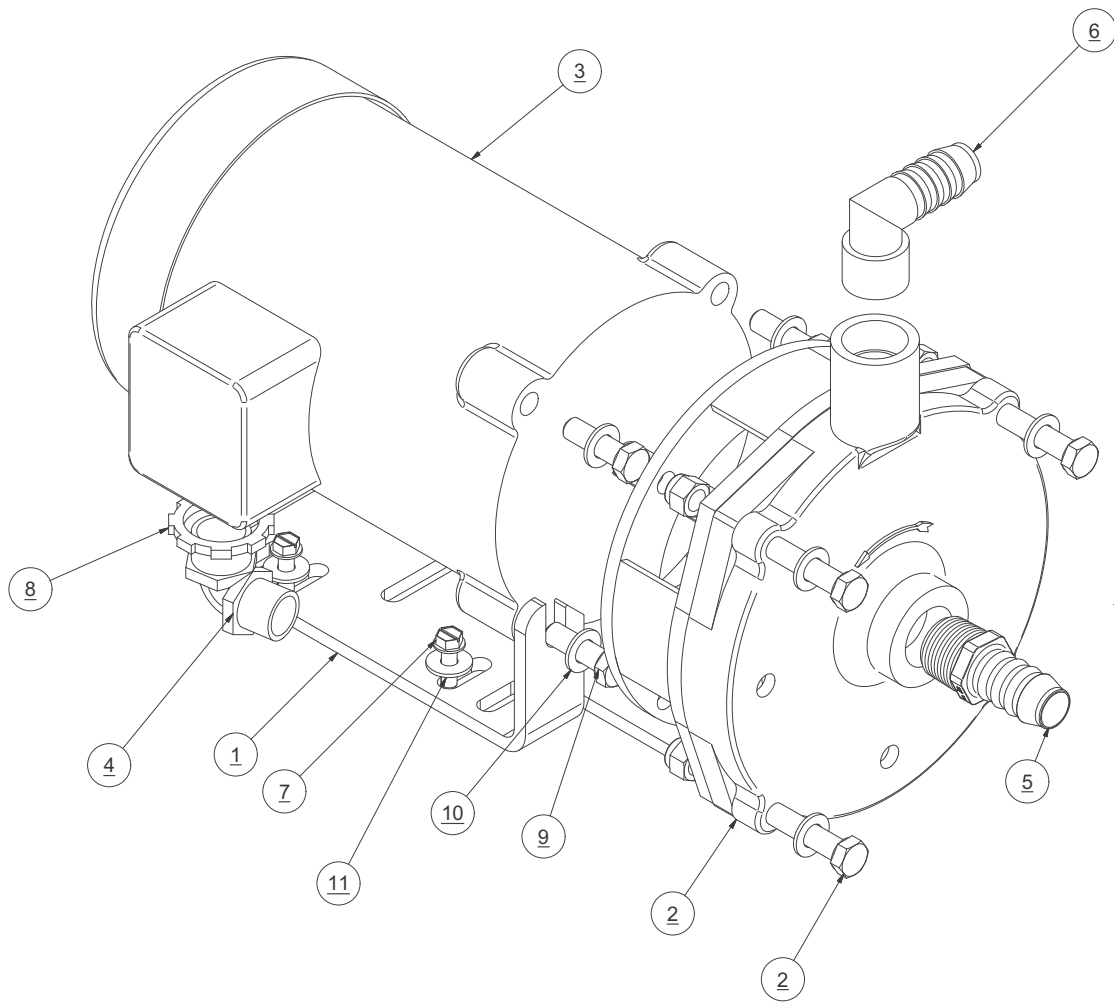


## B016080027 BOOSTER PUMP ASSY 3PH HP75 W- 4.75 IN IMPELLER

ITEM NO.	QTY.	PART NUMBER	DESCRIPTION
1	1	1221514722-3	BRACKET,MTG,PUMP,BOOSTER
2	1	1205514772	BOOSTER PUMP HEAD HP75 W-4.75 IN IMPELLER
3	1	1520181110	MOTOR .50 HP 208-230-460-50-60
4	1	1920023632	STRAIN RELIEF 90 CG90-6250
5	1	0112653700	ADAP .75 MPT X.75 BARB NYLON
6	1	01120737DG	ELB90 .75 MPT X .75 BARB NYLON
7	4	061172143016	SCREX,HEX A, .25x1.00,SS
8	1	063200066000	NUT LOCK .50 STEEL
9	4	061142157020	SCREW,HEX HEAD,3/8-16x1-1/4",SS
10	4	061080056000	WASHER,FLAT,3/8",SS
11	4	061100043000	WASHER,FLAT,OS,1/4",SS



### RECOMMENDED SPARES

PART NUMBER	DESCRIPTION
2625130172	SEAL/SEAT BOOSTER PMP HP75 AB/SS
1205514772-1	GASKET/ORING HP75 PP
29020350072	IMPELLER 5" HP75 CPVC80



---

## Prefiltration Subsystem

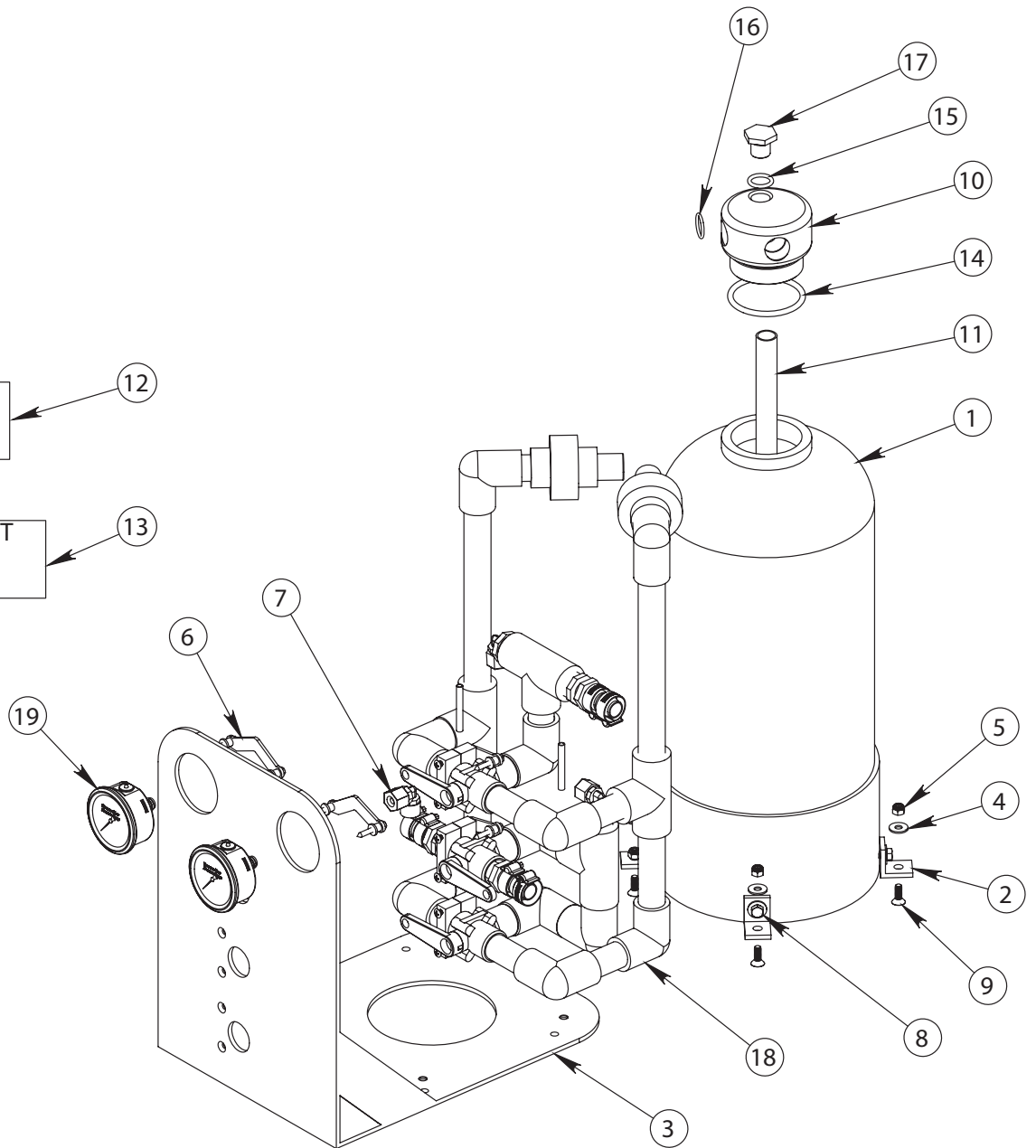
-  **Caution:** Damage caused to the Sea Recovery High Pressure Pump, RO Membrane Element or any other component from the use of third-party, non-Sea Recovery supplied filter elements is the responsibility and liability of the operator and is not covered by the Sea Recovery warranty.
  
-  **Caution:** Do not use “string wound” or “fiber” prefilter elements. These types of elements are designed for the Photographic Film Developing Industry. When used in sea water, they will plug up rapidly in 1/10th or less the time. This will cause frequent shut downs of the system and very frequent changing which will result in very high cost of maintenance.

**B071080002 MEDIA FILTER ASSY 4 HS/AW/UW**

ITEM NO.	QTY	PART NO.	DESCRIPTION
1	1	0708040468-1	MEDIA FILTER HOUSING 818 ALMOND
2	4	20200404010	BRACKET L" MOUNTING FEET
3	1	20200325000	SKID MEDIA FILTER AS>7/97
4	16	061100043000	WASHER FLAT OS 1/4"SS
5	8	061060045000	NUT HEX 1/4-20 W/INSERT SS
6	2	05180851CC	GAUGE BRACKET CBM SS
7	2	0204010869	ELB90 1/4 TUBE X 1/4 FPT PLAST
8	4	061142145012	BOLT HEX 1/4-20 X 3/4 SS
9	4	061161845012	SC ALLEN FLAT 1/4-20 X 3/4 SS
10	1	0708040400-1	MEDIA FILTER TOP
11	1	0708040400-2	MEDIA FILTER RISER
12	25 LB.	4643020255	MEDIA SAND A1000 (100LB BAG)
13	17 LB.	4643070155	MEDIA GARNET 8-12 50# BAG
14	1	2614017300	O-RING 334 MEDIA LID 97
15	1	2614013001	O-RING 209
16	1	2614017400	O-RING 117 MEDIA TOP INLET
17	1	0708040400-3	PLUG MEDIA FILTER TOP
18	1	B075000001	MULTI MEDIA FILTER PLUMBING
19	2	10181522CC	GAUGE -30/0/70 CBM.NPT

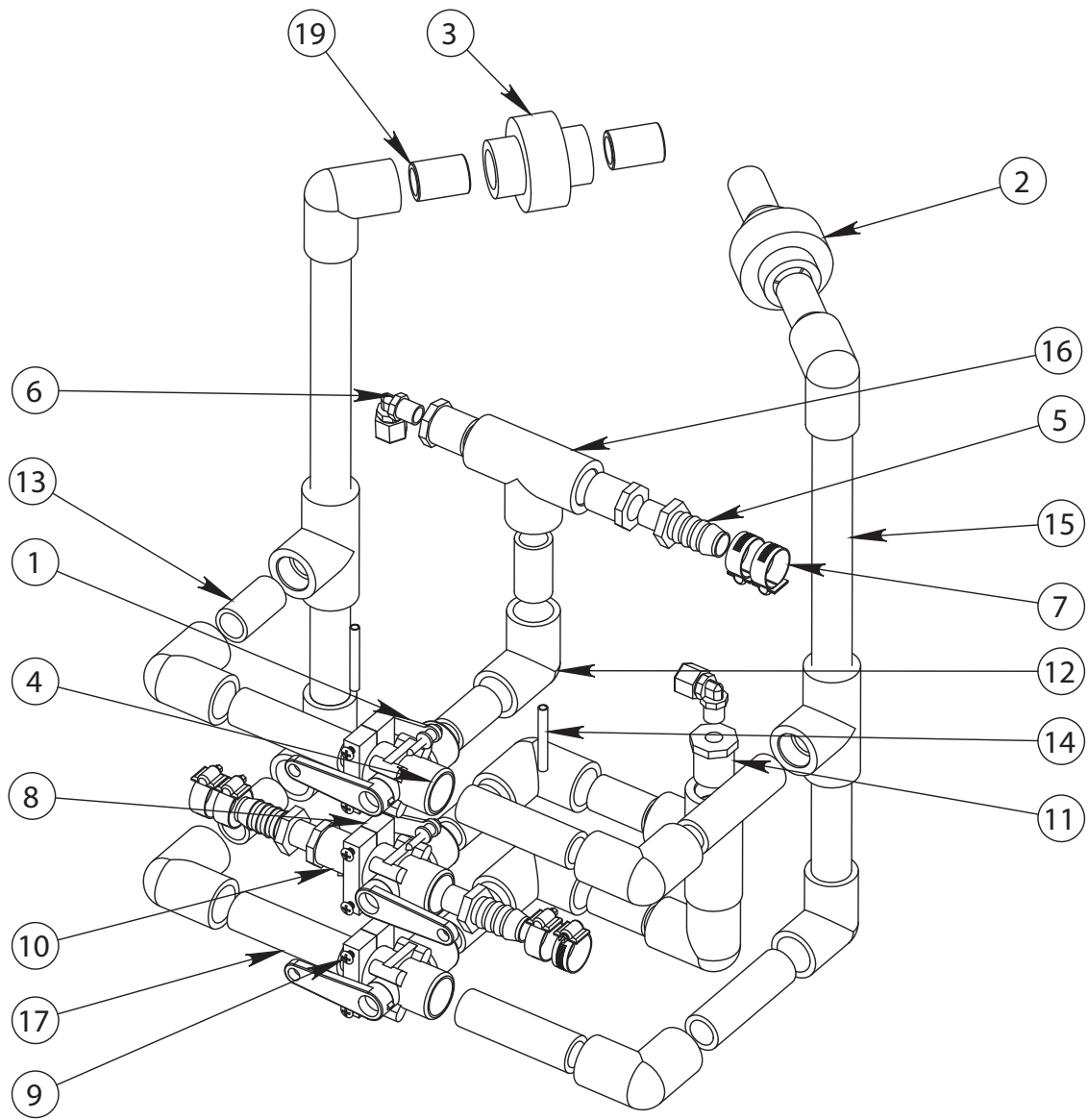
MEDIA SAND  
#A1000  
25 POUNDS

MEDIA GARNET  
8-12  
17 POUNDS



**B075000001 MULTI MEDIA FILTER PLUMBING ASSY**

ITEM NO.	QTY	PART NO.	DESCRIPTION
1	2	05180851CC	GAUGE BRACKET CBM SS
2	1	0101693783	UNION .75 SL x .75 SL PVC
3	1	0101673783	UNION .75 FNPT x .75 FNPT PVC
4	3	14011317AR	VALVE 3-WAY BALL .75 SL
5	3	0101652683	ADAP 1/2 MPT X 3/4 BARB PVC
6	2	0204020869	ELB90 1/4 TUBE X 1/4 MPT PLAST
7	6	05181434AA	HOSE CLAMP 3/4" SS
8	3	1453131700-02	VALVE BRACKET 3/4" SL, SET
9	6	061161130028	SC PHIL OVAL 10-24 X 1 1/4 SS
10	3	0101313683	RB .75 SL x .50 FNPT PVC
11	2	0101323483	RB .75 SL x .25 FNPT PVC
12	12	0101053783	ELB90 .75 SL X .75 SL PVC
13	11	0301096600	PIPE PVC SCH 80 .75 DIA x 1.75LG
14	2	0312121969	TUBE .25 BLK SEMI-RIGID NYLON
15	2	0301096600	PIPE PVC SCH 80 3/4" PER FOOT
16	4	0101463783	TEE .75 SL x .75 SL x .75 SL PVC
17	8	0301096600	PIPE PVC SCH 80 .75 DIA x 3.625LG
18	1	0328066666	HOSE CLEAR BRAID 3/4"
19	2	01013737CL	NIPPLE .75 NPT X CLOSE PVC



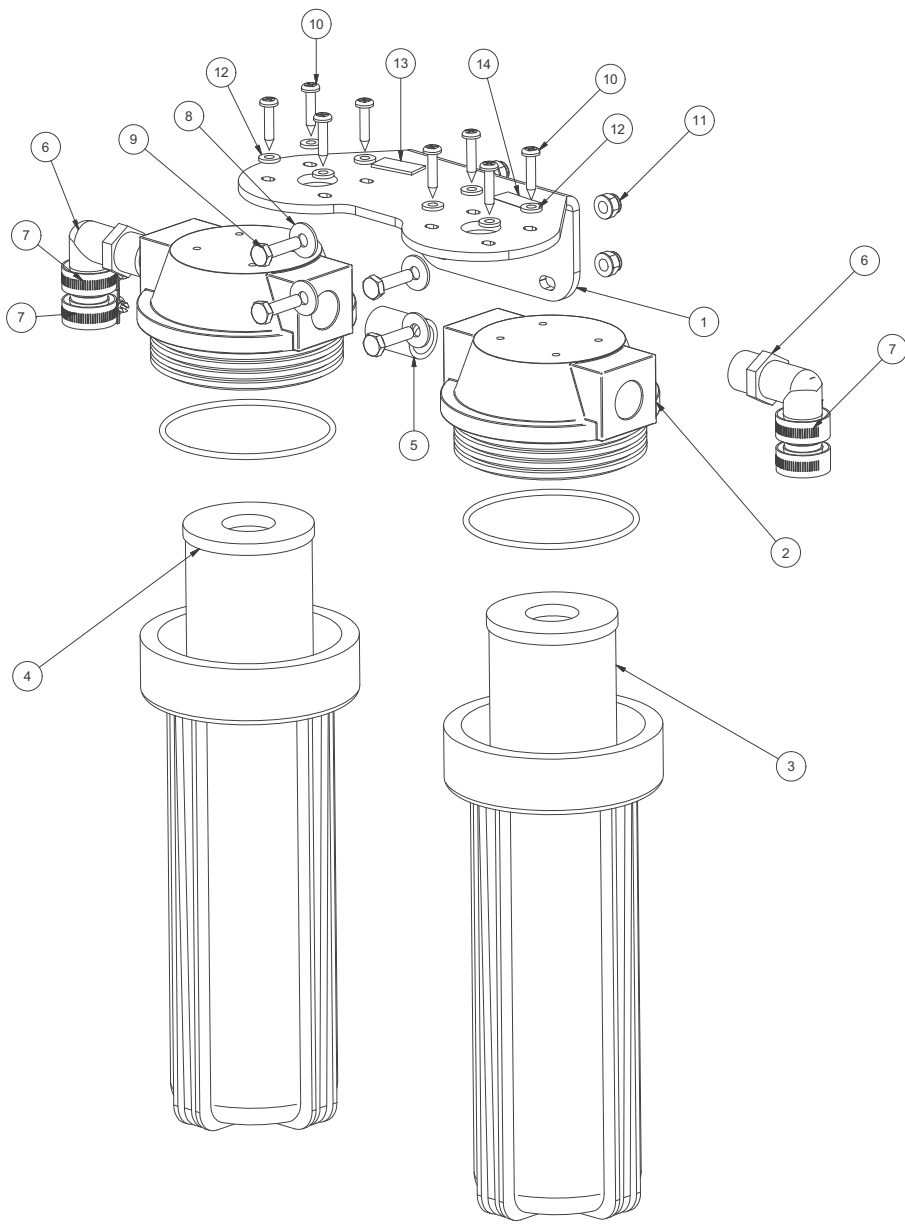


**B108800001 PREFILTER ASSY AWC**

ITEM NO.	QTY.	PART NUMBER	DESCRIPTION
1	1	20200402101	DUAL BRACKET PREFILTER-CHRCL-PLNKTN Rev A
2	2	0713020873	FILTER HOUSING 1/2x10"L
3	1	0801060157	ELEMENT PREFILTER 10-05
4	1	0801130257	ELEMENT PREFILTER 10-25
5	1	01013725CL	NIPPLE 0.50 NPT x CL
6	2	0112072600	ELB90 .50 MPT X .75 BARB NYLON
7	4	05181434AA	HOSE CLAMP .75 SS
8	4	061100043000	WASHER FLAT OS .25 SS
9	4	061142145016	BOLT HEX .25-20 X 1 SS
10	8	061170628016	SC PHIL PAN A #10 X 1 SS
11	4	065070045000	NUT HEX .25-20 FLANGED
12	8	065080028000	WASHER FLAT #10 NYLON
13	1	2234012360	LABEL 25 MICRON PREFILTER -1
14	1	2234012460	LABEL 5 MICRON PREFILTER -2

**RECOMMENDED SPARES**

PART NUMBER	DESCRIPTION
2614010473	O-RING 237 BLUE HOUSING

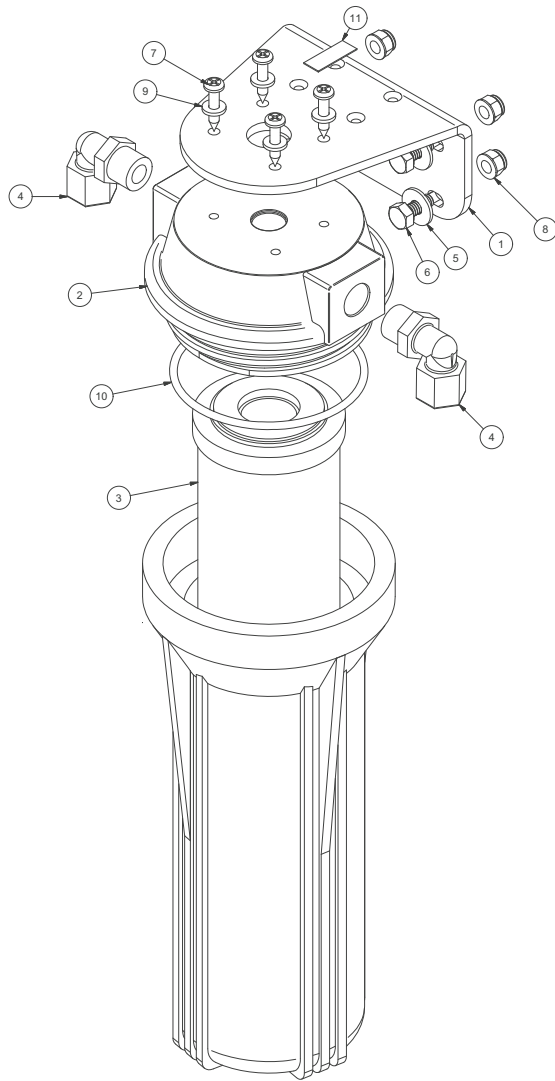


**P521080001 CARBON FILTER ASSY -AS-AWC**

ITEM NO.	QTY.	PART NUMBER	DESCRIPTION
1	1	20200402102	BRACKET SINGLE FILTER
2	1	0713020573	FILTER HOUSING/LID 3/8X10L
3	1	0803004773	ELEMENT CHARCOAL 10.0
4	2	0204021869	ELBOW,SS,3/8 ODx3/8 MT
5	4	061100043000	WASHER,FLAT,OS,1/4",SS
6	4	061142145010	BOLT HEX .25-20 X .625 SS
7	4	061170628016	SC PHIL PAN A #10 X 1 SS
8	4	065070045000	NUT HEX .25-20 FLANGED
9	4	065080028000	WASHER FLAT #10 NYLON
10	1	2614010473	O-RING 237 BLUE HOUSING
11	1	2234014560	LABEL CHARCOAL ELEMENT

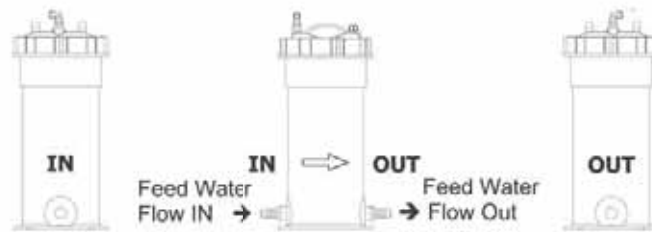
**RECOMMENDED SPARES**

PART NUMBER	DESCRIPTION
2614010473	O-RING 237 BLUE HOUSING

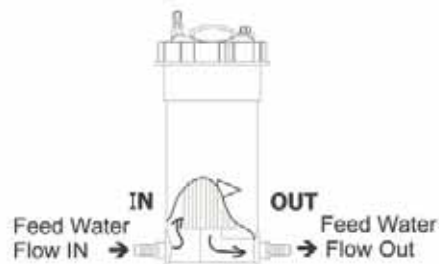


## Commercial Prefilter and Oil/Water Separator Connection and Water Flow

### COMMERCIAL PREFILTER CONNECTION AND WATER FLOW

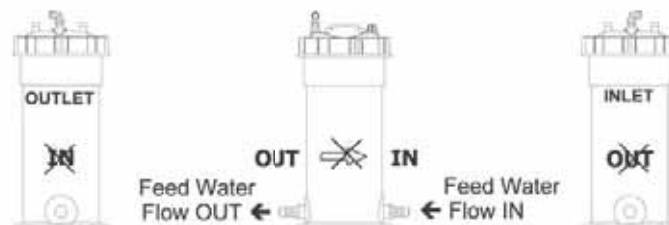


Commercial Prefilter is plumbed as per the raised arrows and markings IN and OUT

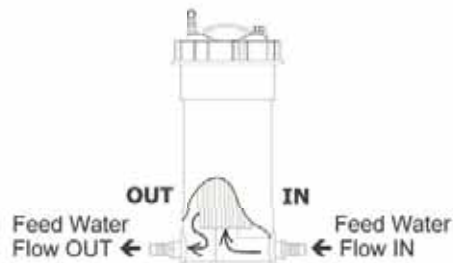


Feed Water Flow through the Commercial Prefilter Element is from the OUTSIDE of the Element to the INSIDE CENTER of the Element

### OIL/WATER SEPARATOR CONNECTION AND WATER FLOW



Oil/Water Separator utilizes the same housing as the Commercial Prefilter, however it is plumbed OPPOSITE of the Commercial Prefilter and OPPOSITE of the raised arrows and markings IN and OUT. Separate Labels are placed on the Oil/Water Separator indicating correct INLET and OUTLET.



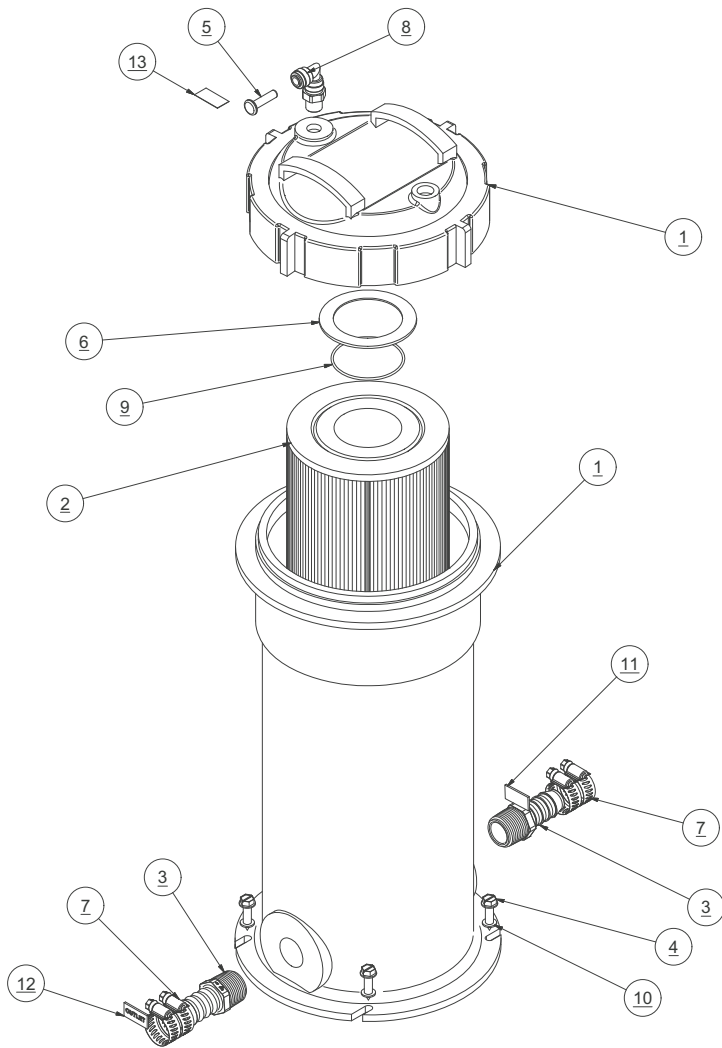
Feed Water Flow through the Oil/Water Separator Element is from the INSIDE CENTER of the Element to the OUTSIDE of the element

## B109120001 COMMERCIAL PREFILTER ASSY 32.5 SQ FT SRC AQM

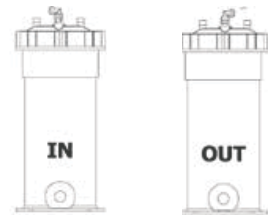
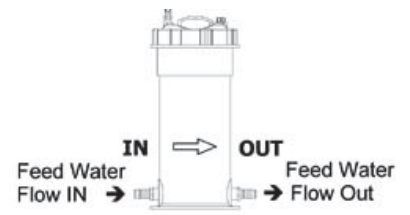
ITEM NO.	QTY.	PART NUMBER	DESCRIPTION
1	1	07620310WA	FILTER HOUSING 32.5 SQFT
2	1	0801063357	ELEMENT CPFE 5 MIC 32.5 SQFT
3	2	0112653700	ADAP .75 MPT X.75 BARB NYLON
4	4	061172143016	SCREX,HEX A,,.25x1.00,SS
5	1	0204990300	PLUG .25 JQ
6	2	3901040100	ADAPTER SPACER RING, COMMERCIAL FILTERS
7	4	05181434AA	CLAMP,HOSE,SS,3/4"
8	1	0204020100	ELB90 .25 TUBE JQ x .25MNPT
9	2	2614018969	O-RONG 034 COMMERCIAL PREFILTER SEAL
10	4	061080028000	WASHER FLAT #10 SS
11	1	2213017063	LABEL INLET (WHITE BACKGROUND)
12	1	2213017163	LABEL OUTLET (WHITE BACKGROUND)
13	1	2234010400	LABEL SRC COMM PREFILTER

### RECOMMENDED SPARES

PART NUMBER	DESCRIPTION
07620310WA-06	O-RING LID CPF / OWS 32.5 SQFT



Commercial Prefilter  
Connection and Water Flow



Commercial Prefilter is plumbed as per raised arrows and markings IN and OUT

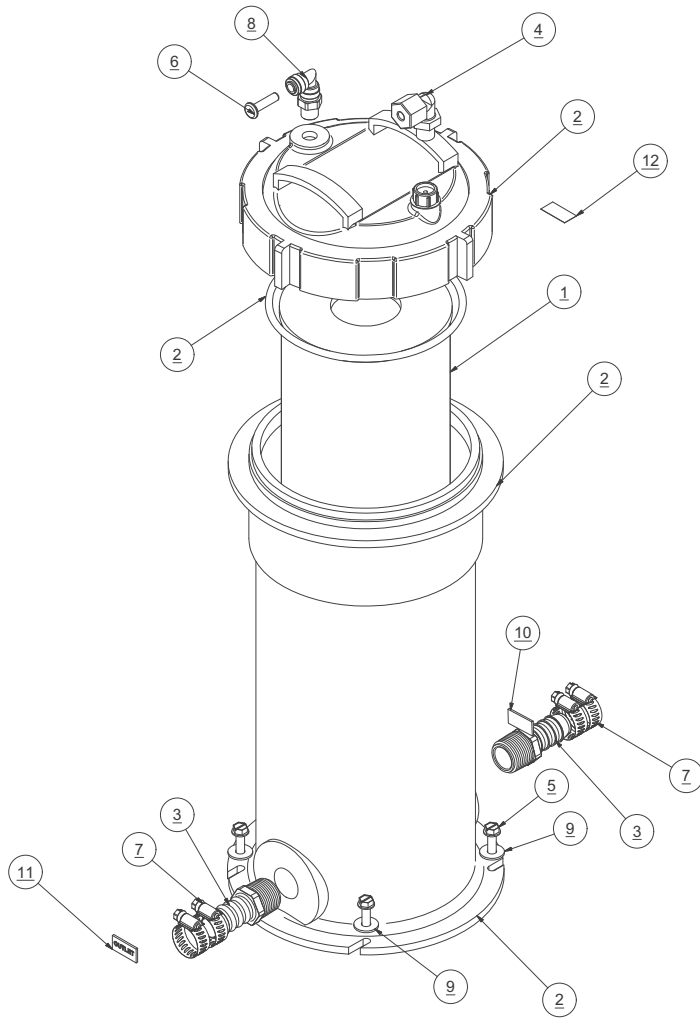
## B111120001 OIL WATER SEPARATOR ASSY SRC 32.5 SQ FT

ITEM NO.	QTY.	PART NUMBER	DESCRIPTION
1	1	08020723KD	ELEMENT OWSE 32.5 SQFT
2	1	07620310WA	FILTER HOUSING 32.5 SQFT
3	2	0112653700	ADAP .75 MPT X.75 BARB NYLON
4	1	0204020869	ELBOW,PP,1/4 ODx1/4 MT
5	4	061172143016	SCREX,HEX A,.25x1.00,SS
6	1	0204990300	PLUG .25 JQ
7	4	05181434AA	CLAMP,HOSE,SS,3/4"
8	1	0204020100	ELB90 .25 TUBE JQ x .25MNPT
9	4	061100043000	WASHER,FLAT,OS,1/4",SS
10	1	2213017063	LABEL INLET (WHITE BACKGROUND)
11	1	2213017163	LABEL OUTLET (WHITE BACKGROUND)
12	1	2234010300	LABEL,OIL WATER, SEPARATOR

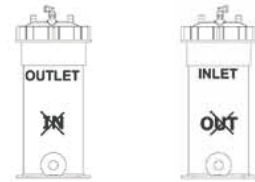
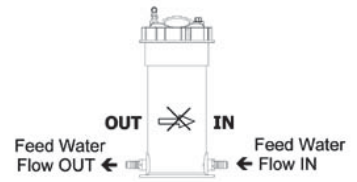
### RECOMMENDED SPARES

PART NUMBER	DESCRIPTION
07620310WA-06	O-RING LID CPF / OWS 32.5 SQFT





Oil Water Separator  
Connection and Water Flow



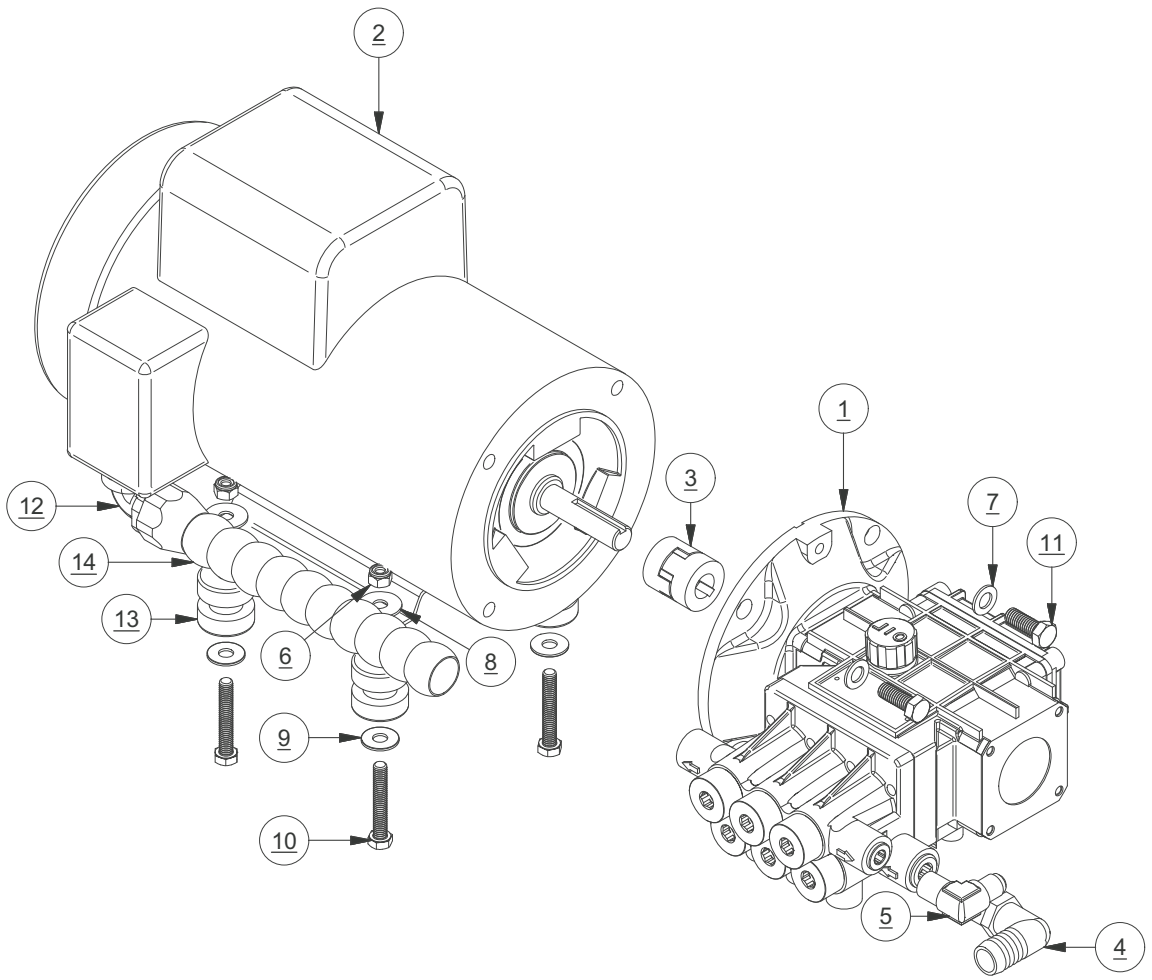
Oil Water Separator uses the same housing as the Commercial Prefilter, however it is plumbed OPPOSITE of the Commercial Prefilter. DO NOT follow the raised arrows and markings IN and OUT. Separate labels are placed indicating the correct INLET and OUTLET for the Oil Water Separator

## B156930008 HP PUMP MOTOR ASSY 3HP 110-220 1PH

ITEM NO.	QTY.	PART NUMBER	DESCRIPTION
1	1	12180512CO	HP PUMP-GP 4.2 GPM SS LEFTHAND
2	1	15AH261919	MTR 2.5HP 115-230 60-1PH W-SS
3	1	12207602RW	COUPLER TX1 AQM2
4	1	0112072600	ELB90 0.50 MPT x 0.75 BARB NYLON
5	1	1317021969	ELB90 6 FLARE X .375 MPT SS
6	4	061060050000	NUT HEX .31-18 W-INSERT SS
7	4	061080056000	WASHER,FLAT,3/8",SS
8	4	061100049000	WASHER,FLAT,OS,5/16",SS
9	4	061110049000	WASHER FENDER .312 SS
10	4	061142150032	BOLT HEX .31-18 X 2.0 SS
11	4	061142157016	BOLT HEX .375-16 X 1.0 SS
12	1	1920016590	STRAIN RELIEF 90, .50 BLK W-NUT
13	4	2115031700	RUBBER MOUNT 90LB
14	1	4928402800	CONDUIT .50 FLEX BLK

### RECOMMENDED SPARES

PART NUMBER	DESCRIPTION
B654080002	HP PUMP VALVE REBUILD 2.3-4.2G
B653090001	HP PUMP SEAL KIT REBUILD GEN P
B647800003	PUMP OIL 16 OZ

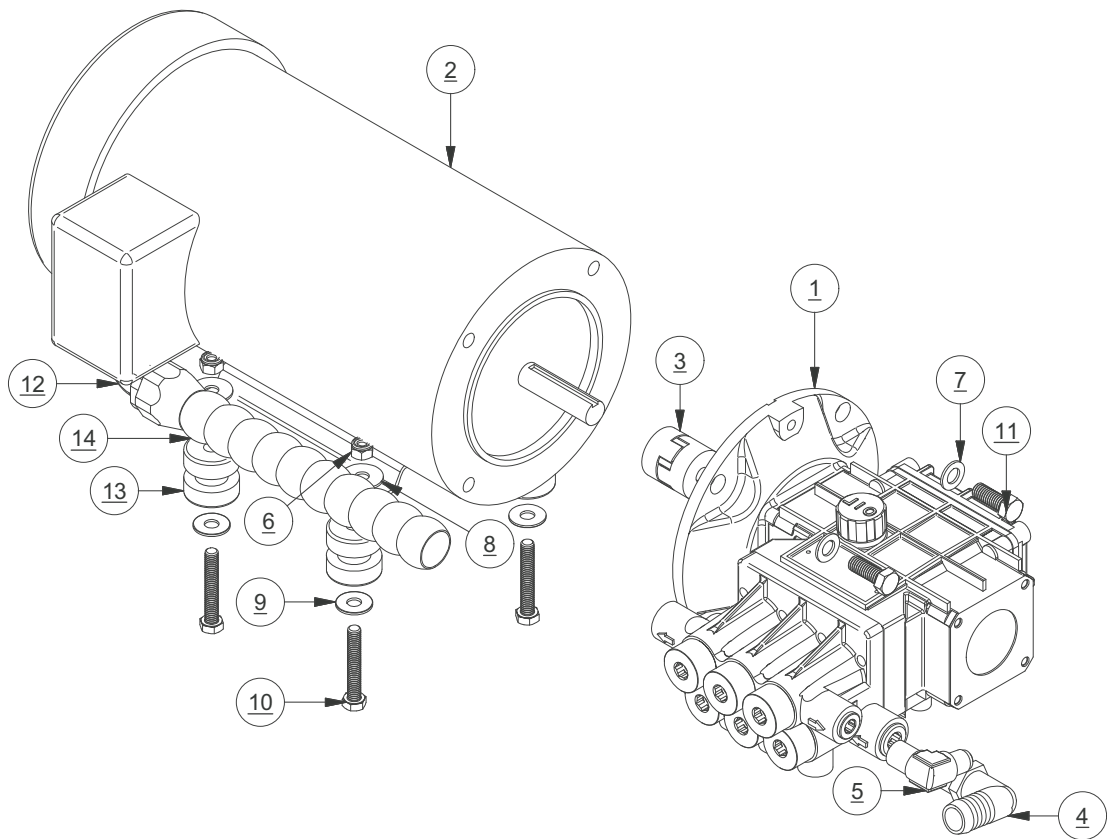


## B156930004 HPP-MTR PLGR AQWCII 220-440-3PH

ITEM NO.	QTY.	PART NUMBER	DESCRIPTION
1	1	12180512CO	HP PUMP-GP 4.2 GPM SS LEFTHAND
2	1	15AE231012	MOTOR 3 HP 220-60-440-60 3PH
3	1	12207602RW	COUPLER TX1 AQM2
4	1	0112072600	ELB90 0.50 MPT x 0.75 BARB NYLON
5	1	1317021969	ELB90 6 FLARE X .375 MPT SS
6	4	061060050000	NUT HEX .31-18 W-INSERT SS
7	4	061080056000	WASHER,FLAT,3/8",SS
8	4	061100049000	WASHER,FLAT,OS,5/16",SS
9	4	061110049000	WASHER FENDER .312 SS
10	4	061142150032	BOLT HEX .31-18 X 2.0 SS
11	4	061142157016	BOLT HEX .375-16 X 1.0 SS
12	1	1920016590	STRAIN RELIEF 90, .50 BLK W-NUT
13	4	2115031700	RUBBER MOUNT 90LB
14	1	4928402800	CONDUIT .50 FLEX BLK

### RECOMMENDED SPARES

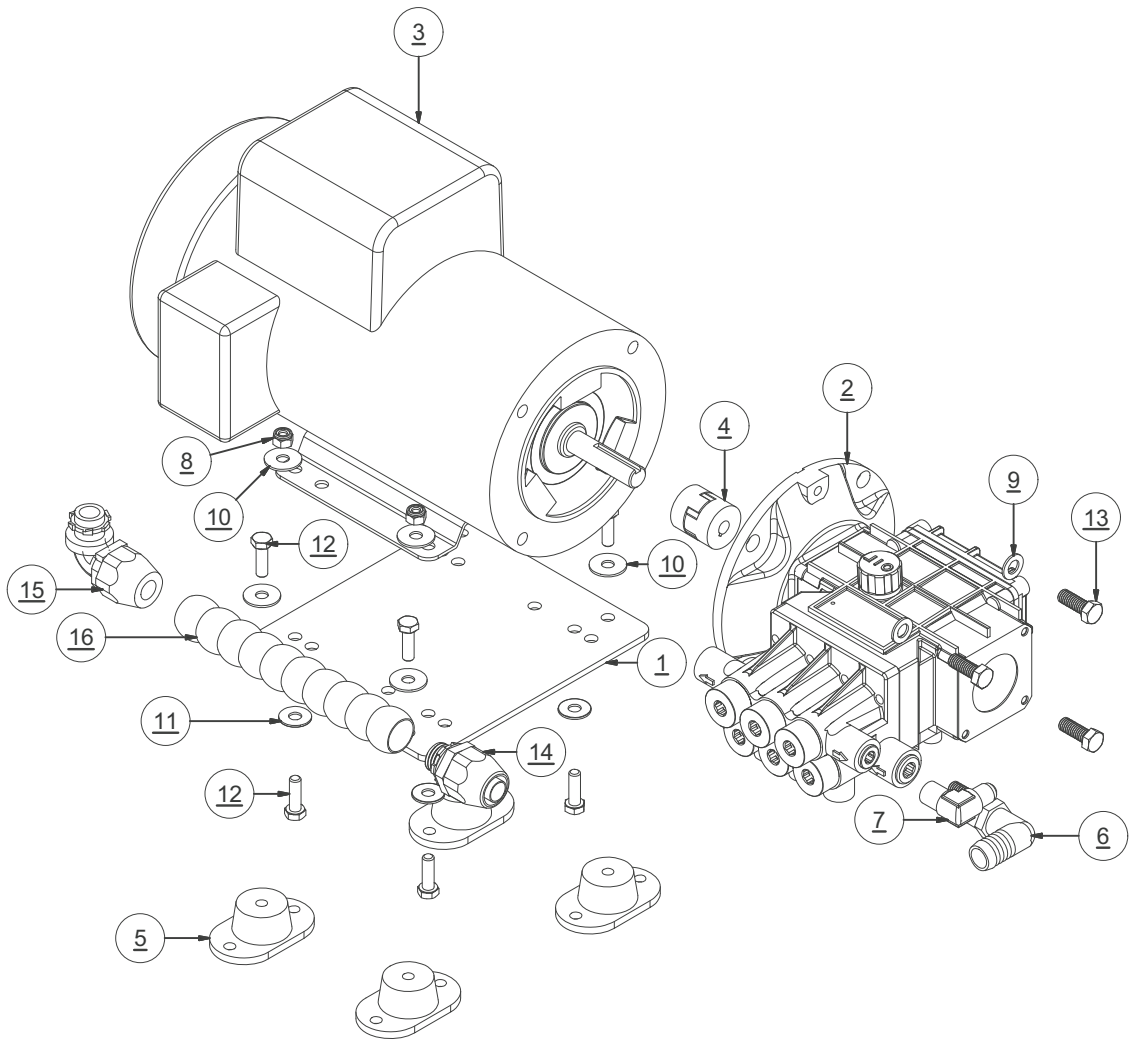
PART NUMBER	DESCRIPTION
B654080002	HP PUMP VALVE REBUILD 2.3-4.2G
B653090001	HP PUMP SEAL KIT REBUILD GEN P
B647800003	PUMP OIL 16 OZ



---

**B156920003 HPP-MTR ASSY AQWMII PLNGR 110-220 -50-60-1PH**

ITEM NO.	QTY.	PART NUMBER	DESCRIPTION
1	1	2020054903A	PANEL MOTOR BASE PLATE
2	1	12180512CO	HP PUMP-GP 4.2 GPM SS LEFTHAND
3	1	15AC062412	MOTOR 2.5 HP 50-60 110-220
4	1	12207602RW	COUPLER TX1 AQM2
5	4	2115030120	RUBBER MOUNT 55 AQUA SERIES
6	1	0112072600	ELB90 0.50 MPT x 0.75 BARB NYLON
7	1	1317021969	ELB90 6 FLARE X .375 MPT SS
8	4	061060050000	NUT HEX .31-18 W-INSERT SS
9	4	061080056000	WASHER,FLAT,3/8",SS
10	8	061100049000	WASHER,FLAT,OS,5/16",SS
11	4	061110049000	WASHER FENDER .312 SS
12	8	061142150016	SCREW,HEX HEAD,.31-18x1.00,SS
13	4	061142157016	BOLT HEX .375-16 X 1.0 SS
14	1	1904040600	STRAIN RELIEF .50 LIQTITE
15	1	1920016590	STRAIN RELIEF 90, .50 BLK W-NUT
16	1	4928402800	CONDUIT .50 FLEX BLK



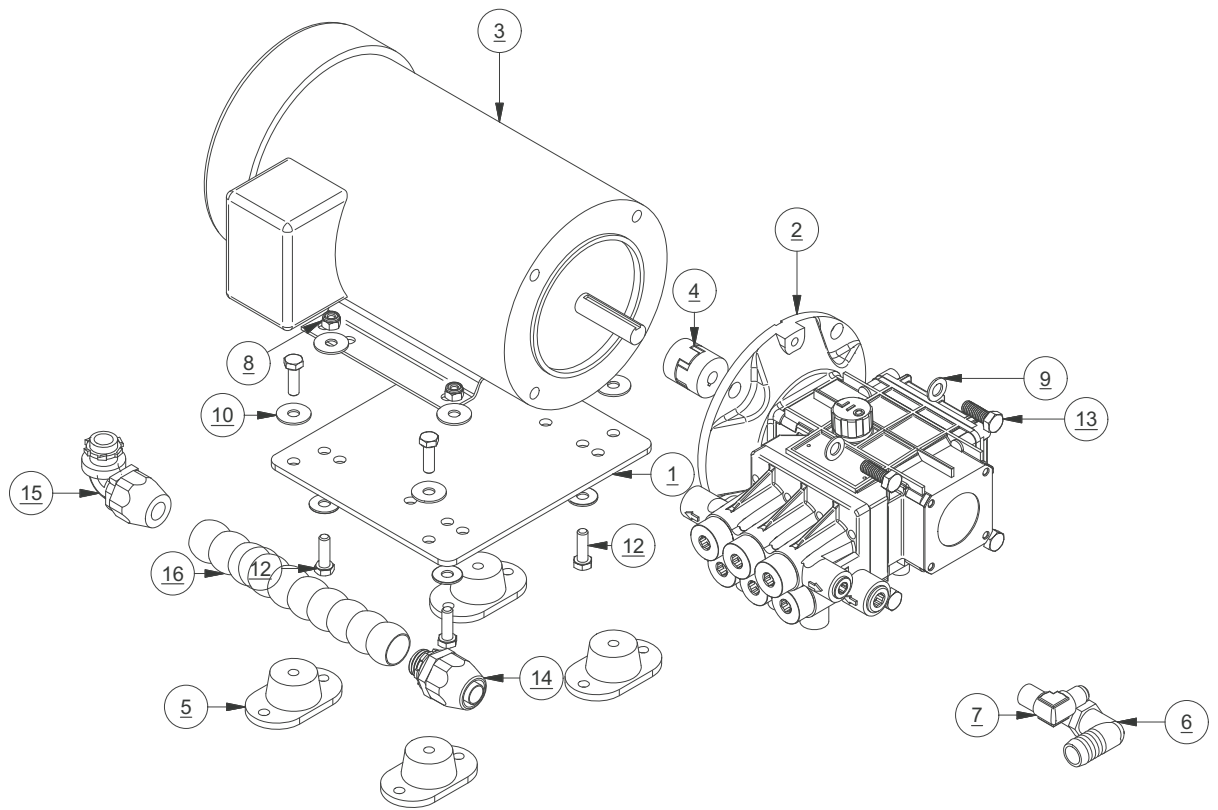
## B156920007 HPP-MTR ASSY AQWMII PLNGR 220-440 VAC 60-3PH

ITEM NO.	QTY.	PART NUMBER	DESCRIPTION
1	1	2020054903A	PANEL MOTOR BASE PLATE
2	1	12180512CO	HP PUMP-GP 4.2 GPM SS LEFTHAND
3	1	15AF241012	MOTOR 3 HP 220-380, 50-3PH
4	1	12207602RW	COUPLER TX1 AQM2
5	4	2115030120	RUBBER MOUNT 55 AQUA SERIES
6	1	0112072600	ELB90 0.50 MPT x 0.75 BARB NYLON
7	1	1317021969	ELB90 6 FLARE X .375 MPT SS
8	4	061060050000	NUT HEX .31-18 W-INSERT SS
9	4	061080056000	WASHER,FLAT,3/8",SS
10	8	061100049000	WASHER,FLAT,OS,5/16",SS
11	4	061110049000	WASHER FENDER .312 SS
12	8	061142150016	SCREW,HEX HEAD,.31-18x1.00,SS
13	4	061142157016	BOLT HEX .375-16 X 1.0 SS
14	1	1904040600	STRAIN RELIEF .50 LIQTITE
15	1	1920016590	STRAIN RELIEF 90, .50 BLK W-NUT
16	1	4928402800	CONDUIT .50 FLEX BLK

### RECOMMENDED SPARES

PART NUMBER	DESCRIPTION
B654080002	HP PUMP VALVE REBUILD 2.3-4.2G
B653090001	HP PUMP SEAL KIT REBUILD GEN P
B647800003	PUMP OIL 16 OZ





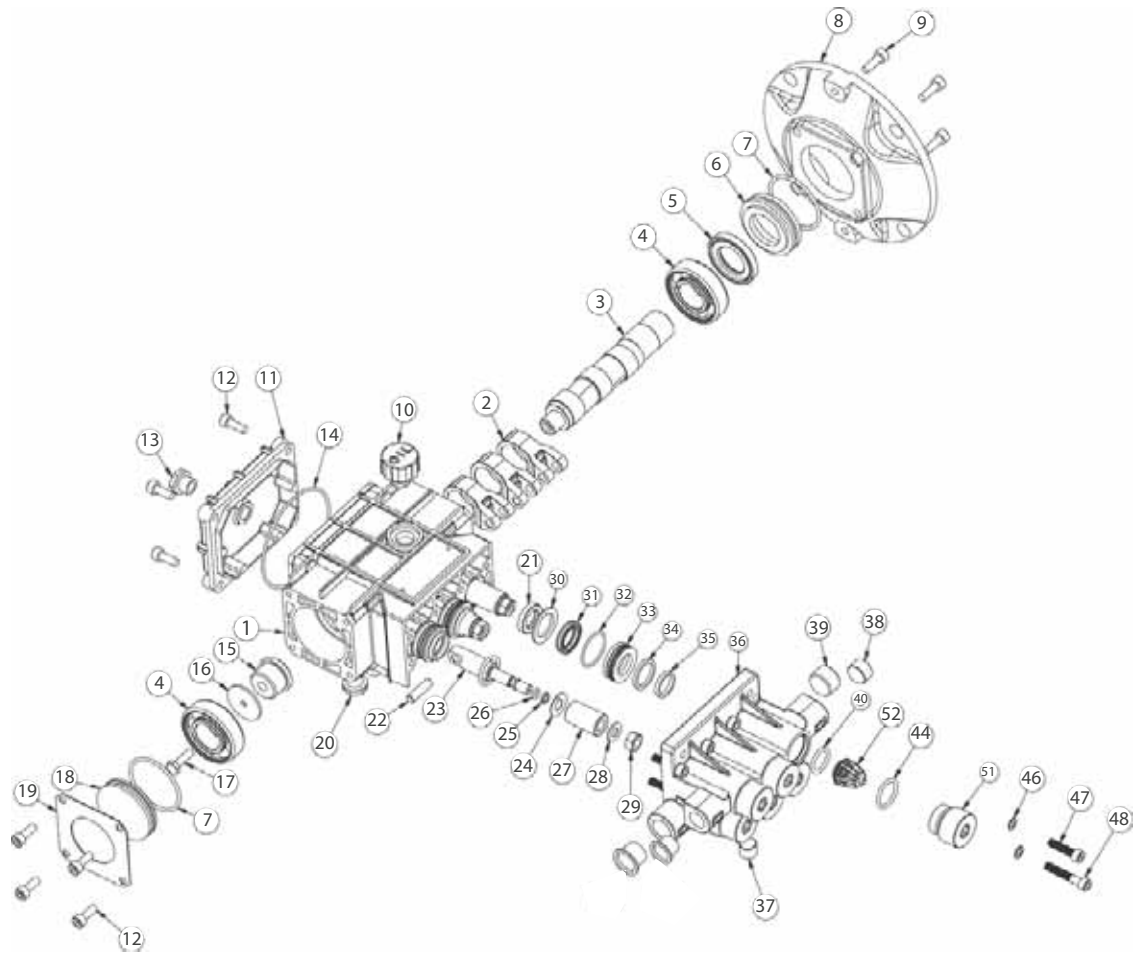
## HP PUMP ASSY-12180513CO (STANDARD)

ITEM NO.	QTY.	PART NUMBER	DESCRIPTION
1-52	1	12180511CO	Pump HP 3.0 GPM SS Left (complete high pressure pump)
		12180512CO	Pump HP 4.2 GPM SS Left (complete high pressure pump)
1-29	1	12180511CO-CCAL	Crank Case Stuffed HP 3.0 GPM SS Left
		12180512CO-CCAL	Crank Case Stuffed HP 4.2 GPM SS Left
30-52	1	12180511CO-WE	Manifold Stuffed HP 3.0 GPM SS
		12180512CO-WE	Manifold Stuffed HP 4.2 GPM SS
1	1	12180510CO-01	Crankcase
2	3	12180510CO-02	Connecting Rod
3	1	12180511CO-03	Crankshaft 5/8" Hollow 3.0 GPM
		12180512CO-03	Crankshaft 5/8" Hollow 4.2 GPM
4	2	12180510CO-04	Bearing
5	1	12180510CO-05	Oil Seal, Crankshaft
6	1	12180510CO-06	Retainer, Oil Sea
7	2	12180510CO-07	O-ring, Oil Seal Retainer/Side Cover
8	1	12180510CO-08	Flange, NEMA 56C Face
9	4	12180510CO-09	Screw SHCS 18mm Long
10	1	12180510CO-10	Oil Cap Vented
11	1	12180510CO-11	Rear Cover
12	8	12180510CO-12	Screw SHCS 16mm Long
13	1	12180510CO-13	Sight Glass
14	1	12180510CO-14	O-ring, Rear Cover
15	1	12180510CO-15	Bushing
16	1	12180510CO-16	Washer
17	1	12180510CO-17	Screw HHCS 20mm long
18	1	12180510CO-18	Side Cover
19	1	12180510CO-19	Side Plate
20	1	12180510CO-20	Oil Drain Plug
21	3	12180510CO-21	Oil Seal Plunger
22	3	12180510CO-22	Wrist Pin
23	3	12180510CO-23	Plunger Rod
24	3	12180510CO-24	Slinger
25	3	12180510CO-25	Anti-Extrusion Ring
26	3	12180510CO-26	O-ring Plunger
27	3	12180510CO-27	Plunger 18mm
28	3	12180510CO-28	Washer, Plunger Rod
29	3	12180510CO-29	Nut, Plunger Rod
30	3	12180510CO-30	Seal Retainer
31	3	12180510CO-31	Low Pressure Sea
32	3	12180510CO-32	O-ring Seal Case
33	3	12180510CO-33	Seal case
34	3	12180510CO-34	Square Ring, High Pressure Seal

ITEM NO.	QTY.	PART NUMBER	DESCRIPTION
35	3	12180510CO-35	Glide Ring, High Pressure Seal
36	1	12180510CO-36	Manifold
37	3	12180510CO-37	1/4 NPT Plug
38	1	12180510CO-38	3/8 NPT Plug
39	1	12180510CO-39	1/2 NPT Plug
40	6	12180510CO-40	O-ring Valve Spacer
44	6	12180510CO-44	O-ring Valve Plug
46	8	12180510CO-46	CONDUIT .50 FLEX BLK
47	4	12180510CO-47	Screw SHCSM5 x 25mm Long
48	4	12180510CO-48	Screw SHCSM5 x 35mm Long
51	6	12180513CO-51	Valve Cap
52	6	12180510CO-52	Valve Assembly 2.3 through 4.2 GPM
		B647800003	Pump Oil 16oz

**REPAIR KITS:**

PART NUMBER	MODEL NUMBER	ITEMS IN KIT	PER KIT
B653090001	SRC HPP Seal Kit	25, 26, 30, 31, 32, 33, 34 & 35	3
B654080002	SRC HPP Seal Kit	40, 44 & 52	6
B652090002	SRC HPP Seal Kit	25, 26, 30, 31, 32, 33, 34, 35, 40, 44 & 52	6

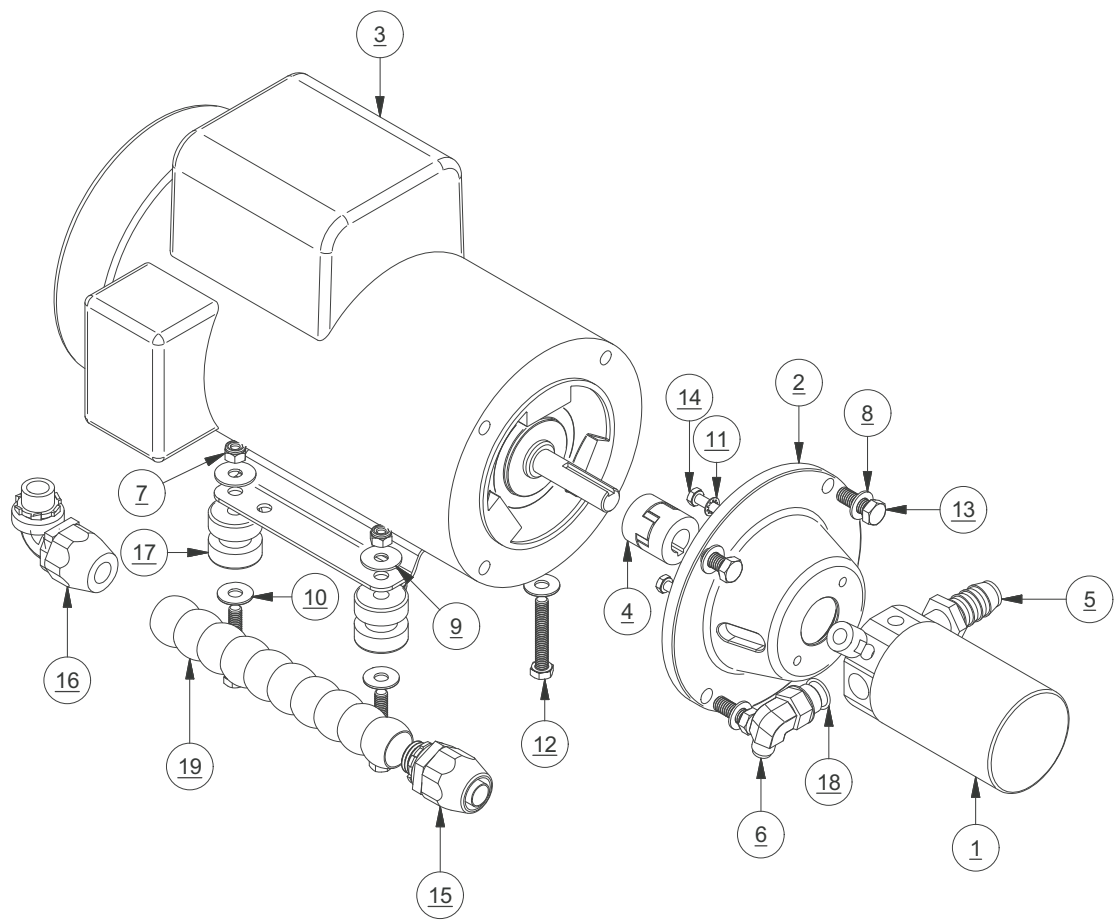


**B156930001 HP PUMP-MOTOR AQWCII APP 110-220-50-60 1PH**

ITEM NO.	QTY.	PART NUMBER	DESCRIPTION
1	1	12572405DS	PUMP DANFOSS TYPE 4
2	1	1220770101	1 PHASE BELL HOUSING-AQUAMATIC II
3	1	15AE261912	MOTOR 3-2.5 HP 115-230 1PH
4	1	12207602RW	COUPLER TX1 AQM2
5	1	01126526DG	ADAP 0.50 MPT x 0.75 BARB NYLON
6	1	1317021869	ELB90 -6 FLARE X MNPT SS
7	4	061060050000	NUT HEX .31-18 W-INSERT SS
8	4	061080056000	WASHER,FLAT,3/8",SS
9	4	061100049000	WASHER,FLAT,OS,5/16",SS
10	4	061110049000	WASHER FENDER .312 SS
11	2	061120091000	WASHER SPLITLOCK M6
12	4	061142150032	BOLT HEX .31-18 X 2.0 SS
13	4	061142157016	BOLT HEX .375-16 X 1.0 SS
14	2	061142191174	HEX BOLT M6X 20mm LG SS
15	1	1904040600	STRAIN RELIEF .50 LIQTITE
16	1	1920016590	STRAIN RELIEF 90, .50 BLK W-NUT
17	4	2115031700	RUBBER MOUNT 90LB
18	1	353033002A	O-RING 017
19	1	4928402800	CONDUIT .50 FLEX BLK

**RECOMMENDED SPARES**

PART NUMBER	DESCRIPTION
B653DF0003	SEAL KIT 4.37 V2 >06/08

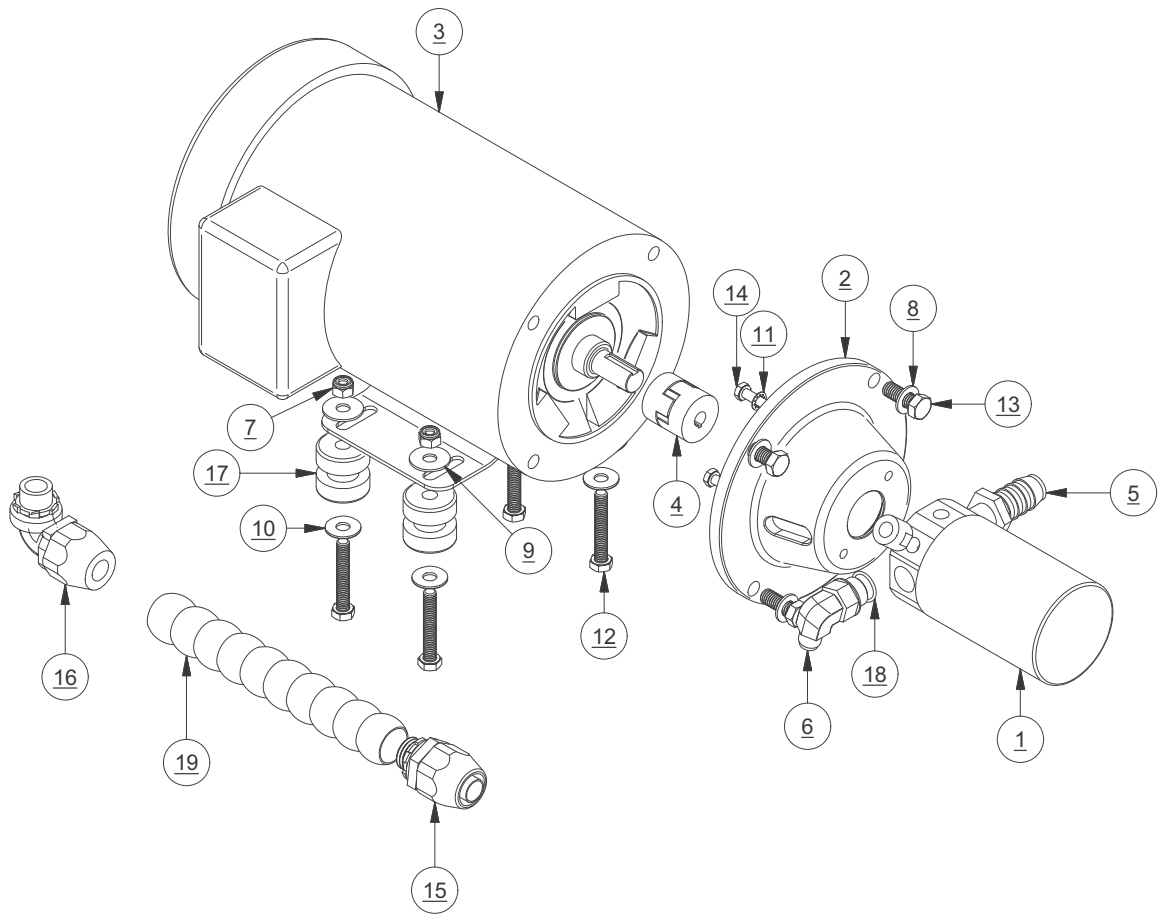


**B156930002 HP PUMP-MOTOR AQWCII APP 220-440-50-60 3PH**

ITEM NO.	QTY.	PART NUMBER	DESCRIPTION
1	1	12572405DS	PUMP DANFOSS TYPE 4
2	1	1220770101	1 PHASE BELL HOUSING-AQUAMATIC II
3	1	15AF271910	MOTOR 3-2.5 HP 3 PH 50-6
4	1	12207602RW	COUPLER TX1 AQM2
5	1	01126526DG	ADAP 0.50 MPT x 0.75 BARB NYLON
6	1	1317021869	ELB90 -6 FLARE X MNPT SS
7	4	061060050000	NUT HEX .31-18 W-INSERT SS
8	4	061080056000	WASHER,FLAT,3/8",SS
9	4	061100049000	WASHER,FLAT,OS,5/16",SS
10	4	061110049000	WASHER FENDER .312 SS
11	2	061120091000	WASHER SPLITLOCK M6
12	4	061142150032	BOLT HEX .31-18 X 2.0 SS
13	4	061142157016	BOLT HEX .375-16 X 1.0 SS
14	2	061142191174	HEX BOLT M6X 20mm LG SS
15	1	1904040600	STRAIN RELIEF .50 LIQTITE
16	1	1920016590	STRAIN RELIEF 90, .50 BLK W-NUT
17	4	2115031700	RUBBER MOUNT 90LB
18	1	353033002A	O-RING 017
19	1	4928402800	CONDUIT .50 FLEX BLK

**RECOMMENDED SPARES**

PART NUMBER	DESCRIPTION
B653DF0003	SEAL KIT 4.37 V2 >06/08



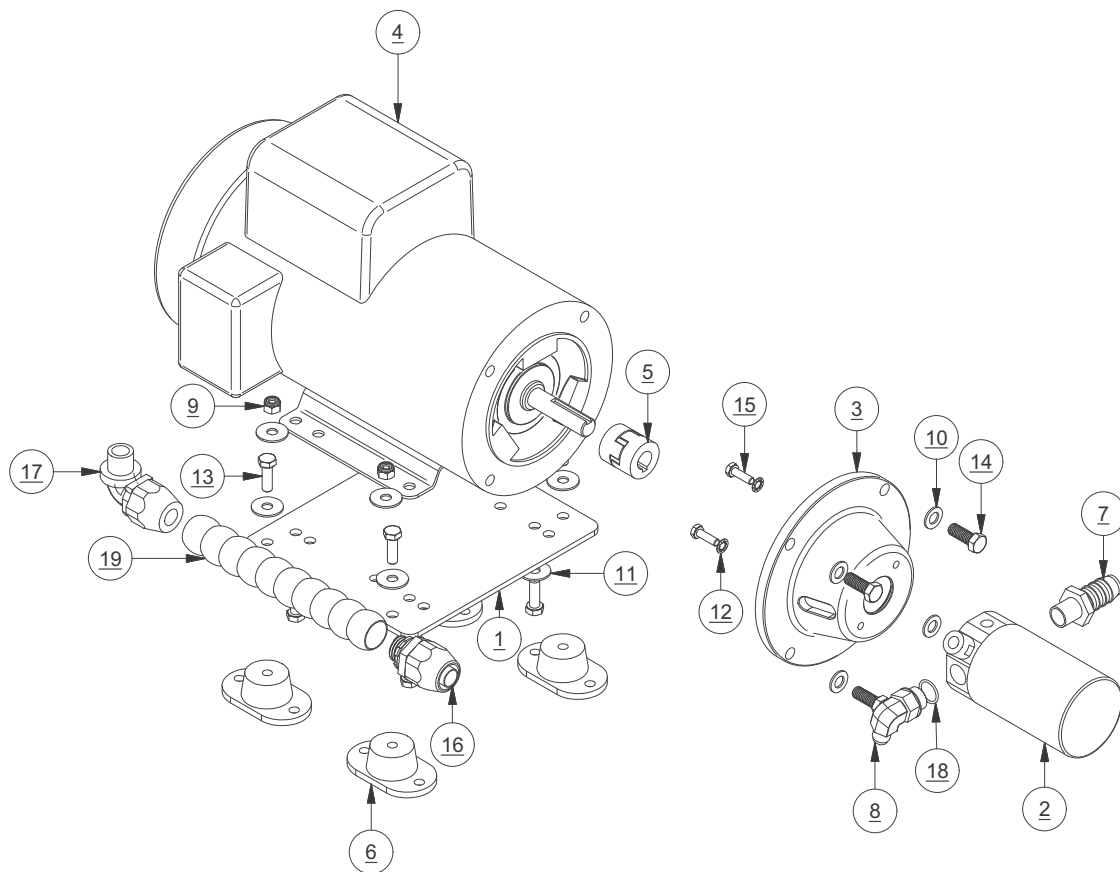


**B156920001 HPP-MTR ASSY AQWMII APP 110-220 50-60-1PH**

ITEM NO.	QTY.	PART NUMBER	DESCRIPTION
1	1	2020054903A	PANEL MOTOR BASE PLATE
2	1	12572405DS	PUMP DANFOSS TYPE 4
3	1	1220770101	1 PHASE BELL HOUSING-AQUAMATIC II
4	1	15AE261912	MOTOR 3-2.5 HP 115-230 1PH
5	1	12207602RW	COUPLER TX1 AQM2
6	4	2115030120	RUBBER MOUNT 55 AQUA SERIES
7	1	01126526DG	ADAP 0.50 MPT x 0.75 BARB NYLON
8	1	1317021869	ELB90 -6 FLARE X MNPT SS
9	4	061060050000	NUT HEX .31-18 W-INSERT SS
10	4	061080056000	WASHER,FLAT,3/8",SS
11	12	061100049000	WASHER,FLAT,OS,5/16",SS
12	2	061120091000	WASHER SPLITLOCK M6
13	8	061142150016	SCREW,HEX HEAD,.31-18x1.00,SS
14	4	061142157016	BOLT HEX .375-16 X 1.0 SS
15	2	061142191174	HEX BOLT M6X 20mm LG SS
16	1	1904040600	STRAIN RELIEF .50 LIQTITE
17	1	1920016590	STRAIN RELIEF 90, .50 BLK W-NUT
18	1	353033002A	O-RING 017
19	1	4928402800	CONDUIT .50 FLEX BLK

**RECOMMENDED SPARES**

PART NUMBER	DESCRIPTION
B653DF0003	SEAL KIT 4.37 V2 >06/08

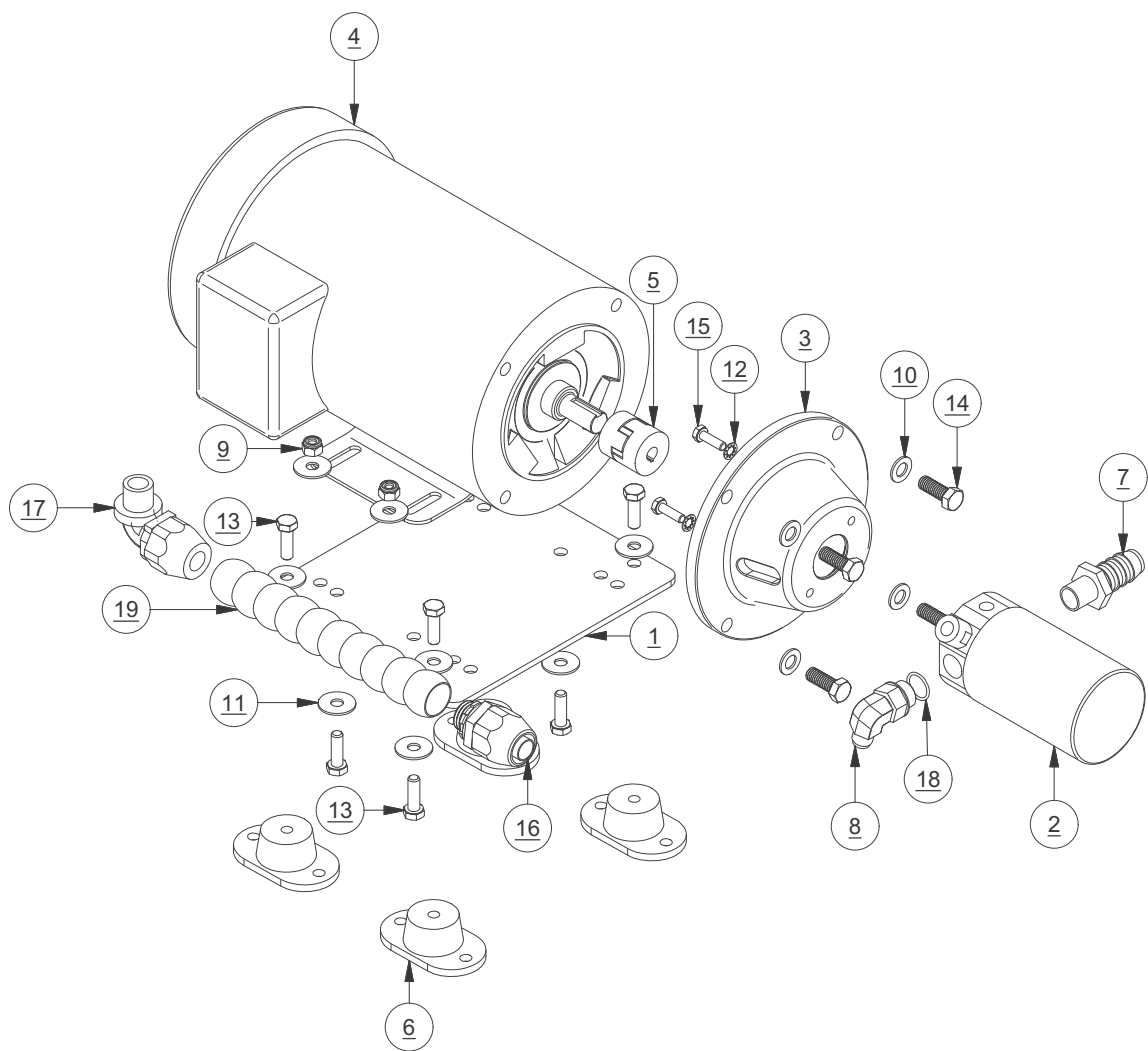


**B156920002 HPP-MTR ASSY AQWMII APP 220-440 50-60-3PH**

ITEM NO.	QTY.	PART NUMBER	DESCRIPTION
1	1	2020054903A	PANEL MOTOR BASE PLATE
2	1	12572405DS	PUMP DANFOSS TYPE 4
3	1	1220770101	1 PHASE BELL HOUSING-AQUAMATIC II
4	1	15AF271910	MOTOR 3-2.5 HP 3 PH 50-6
5	1	12207602RW	COUPLER TX1 AQM2
6	4	2115030120	RUBBER MOUNT 55 AQUA SERIES
7	1	01126526DG	ADAP 0.50 MPT x 0.75 BARB NYLON
8	1	1317021869	ELB90 -6 FLARE X MNPT SS
9	4	061060050000	NUT HEX .31-18 W-INSERT SS
10	4	061080056000	WASHER,FLAT,3/8",SS
11	12	061100049000	WASHER,FLAT,OS,5/16",SS
12	2	061120091000	WASHER SPLITLOCK M6
13	8	061142150016	SCREW,HEX HEAD,.31-18x1.00,SS
14	4	061142157016	BOLT HEX .375-16 X 1.0 SS
15	2	061142191174	HEX BOLT M6X 20mm LG SS
16	1	1904040600	STRAIN RELIEF .50 LIQTITE
17	1	1920016590	STRAIN RELIEF 90, .50 BLK W-NUT
18	1	353033002A	O-RING 017
19	1	4928402800	CONDUIT .50 FLEX BLK

**RECOMMENDED SPARES**

PART NUMBER	DESCRIPTION
B653DF0003	SEAL KIT 4.37 V2 >06/08



## HP Hose Assembly

PART NO.	QTY	DESCRIPTION
2432160669	1	HOSE HP - 6P
1317481969	2	SWIVEL FITTING - 6 SSP

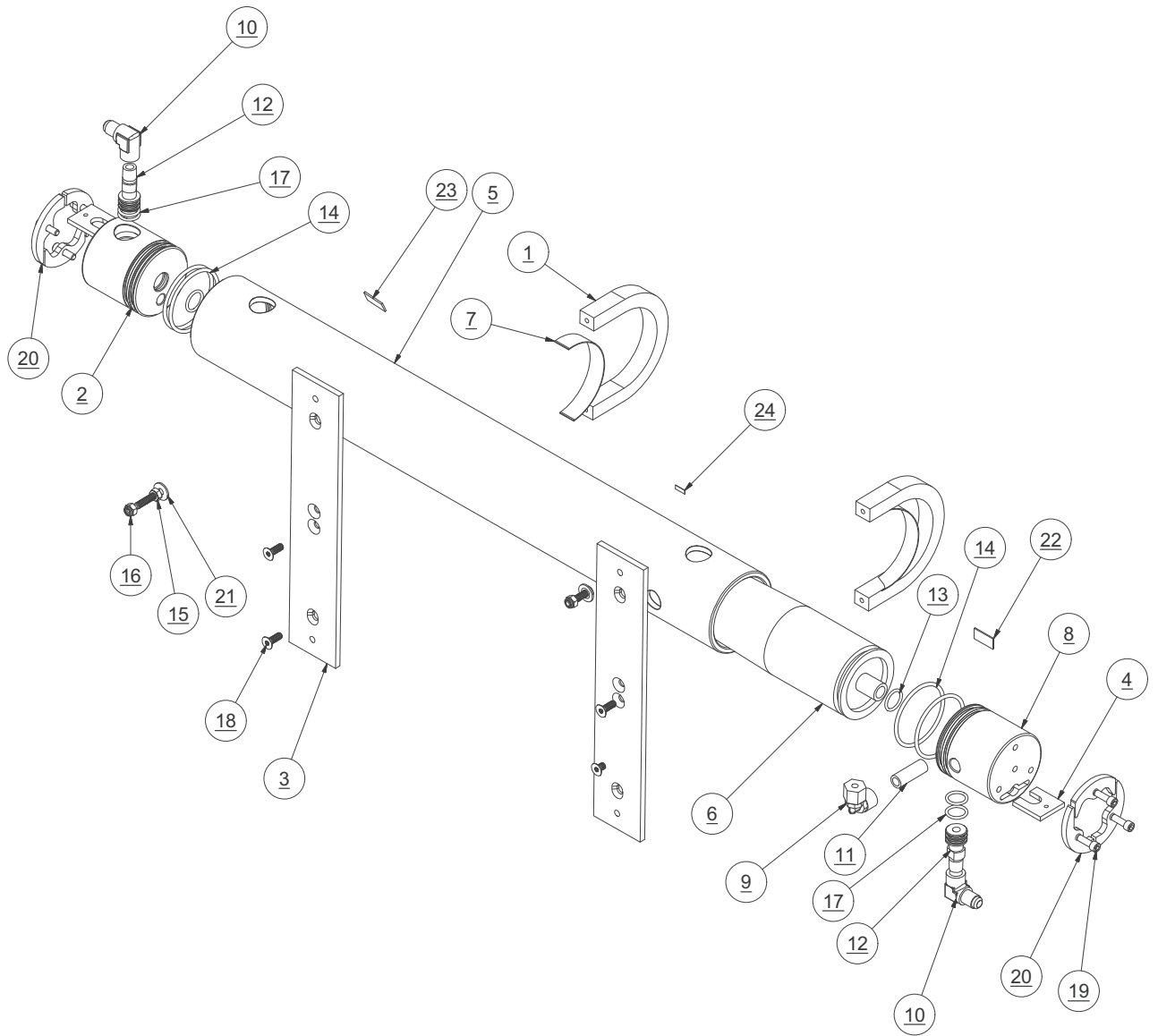
*SPECIFY PART NUMBER AND DESCRIPTION OF SPECIFIC HIGH PRESSURE HOSE ASSEMBLY  
OR IF A SPECIAL LENGTH IS REQUIRED, SPECIFY MEASURED OVERALL LENGTH: FITTING TO FITTING*



OVERALL LENGTH IS +/- 1/4" (6mm)

## B198000032 MEMBRANE RACK 450-1 GPD AQM II

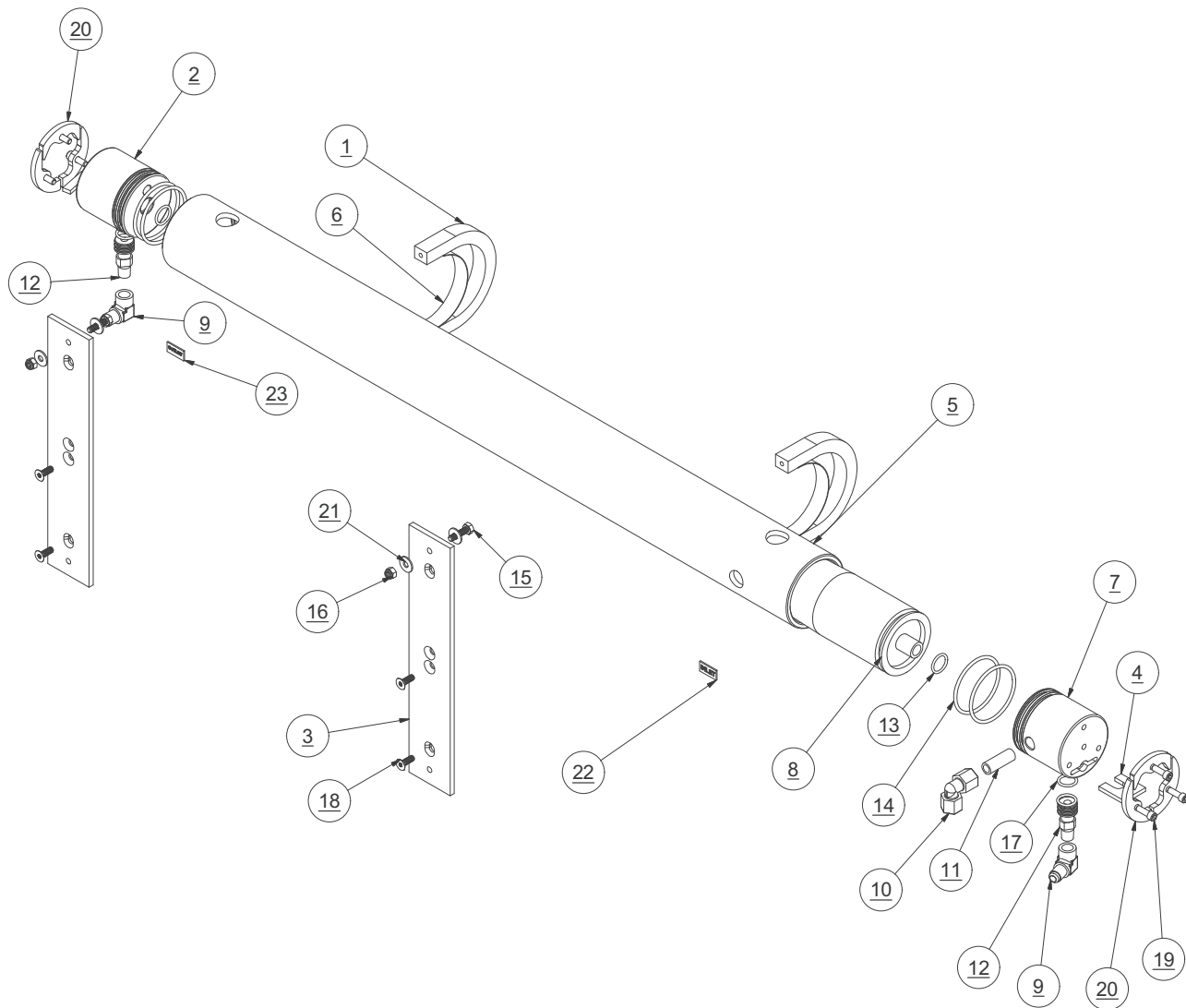
ITEM NO.	QTY.	PART NUMBER	DESCRIPTION
1	2	05202401GR	BRACKET,MVA U-CLAMP,3 IN
2	1	2453502400	END PLUG SINGLE 3 AW
3	2	0520051800	MVA RACK AW SERIES
4	2	0520210600	RETAINER PORT MVA
5	1	2408132500	VESSEL HIGH PRESSURE 450GPD
6	1	2724011233	MEMBRANE 450GPD AW W-SEAL
7	2	2615180100	FELT ADHESIVE 0.125 X 0.75 STRIP
8	1	2453512400	END PLUG DUAL 3 IN AW
9	1	0204010869	ELB90 .25 TUBE x .25 FNPT PLASTIC
10	2	1317011769	ELB90 6 FLARE X .25 FPT SS
11	1	0101370815	NIPPLE 0.25 NPT x 1.50
12	2	0117410800	NIPPLE HP MVA AW
13	2	2614010100	O-RING 116 PRODUCT AS-AW
14	4	2614014900	O-RING 230 BRINE 3.0 END PLUG
15	2	061142145016	BOLT HEX .25-20 X 1 SS
16	2	061060045000	NUT HEX .25-20 W-INSERT SS
17	4	2614017900	O-RING 115 INTERCONNECT AW
18	4	061161845012	SC ALLEN FLAT .25-20 X .75 SS
19	6	061162345012	SC SOC CAP .25-20 X .75 SS
20	2	20201030000	SEGMENT RING AW (SET)
21	2	061100043000	WASHER FLAT OS .25 SS
22	1	2213017063	LABEL INLET (WHITE BACKGROUND)
23	1	2213017163	LABEL OUTLET (WHITE BACKGROUND)
24	1	2220010660	LABEL MEMBRANE SERIAL NO



## B198000033 MEMBRANE RACK 700-1 STD AQM-II

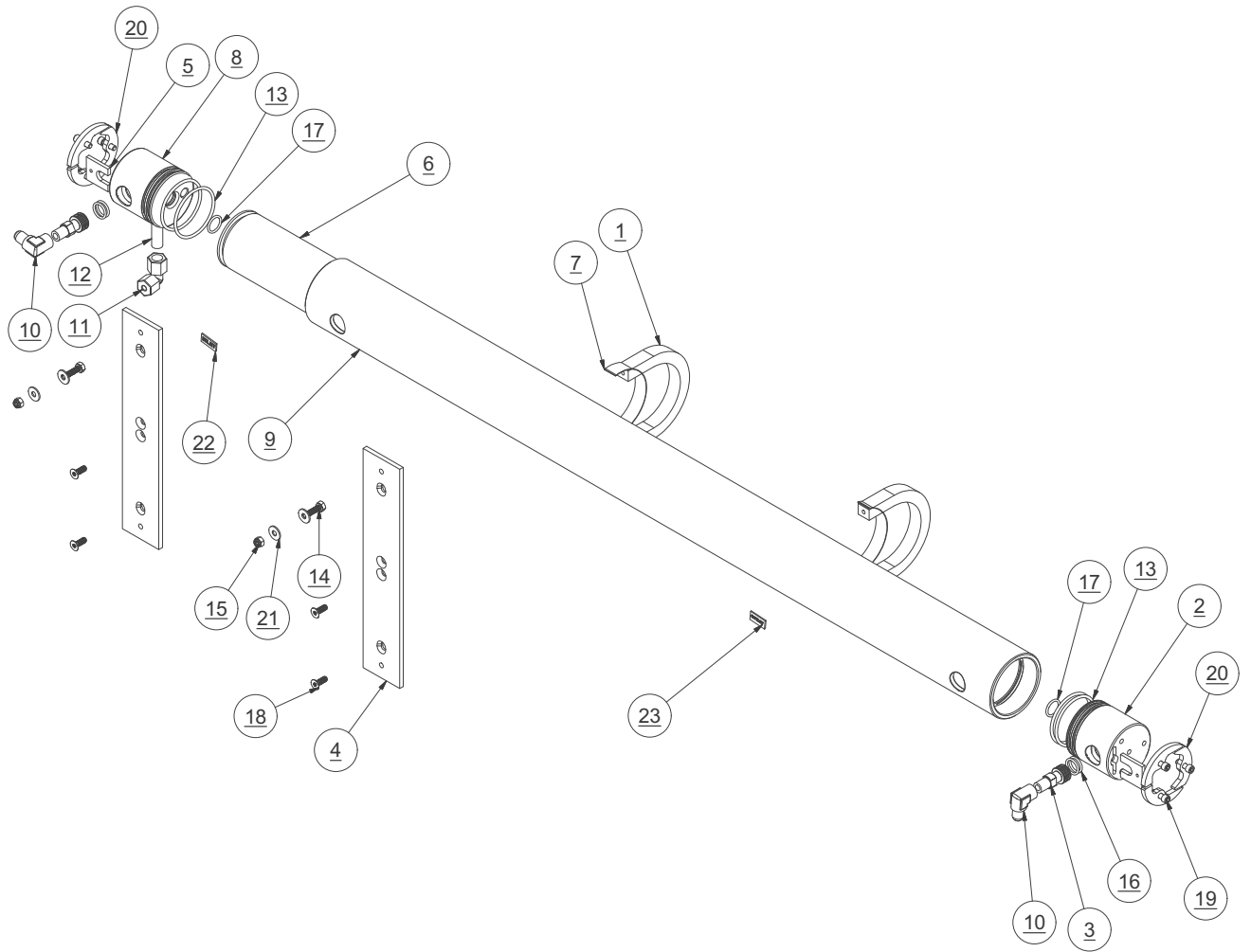
ITEM NO.	QTY.	PART NUMBER	DESCRIPTION
1	2	05202401GR	BRACKET MVA U-CLAMP
2	1	2453502400	END PLUG SINGLE 3 AW
3	2	0520051800	MVA RACK AW SERIES
4	2	0520210600	RETAINER PORT MVA
5	1	2408132500-01	VESSEL HIGH PRESSURE 700GPD
6	2	2615180100	FELT ADHESIVE 0.125 X 0.75 STRIP
7	1	2453512400	END PLUG DUAL 3 IN AW
8	1	2724011333	MEMBRANE 450GPD AW W-SEAL
9	2	1317011769	ELB90 6 FLARE X .25 FPT SS
10	1	0204010869	ELBOW,PP,1/4 ODx1/4 FT
11	1	0101370815	NIPPLE 0.25 NPT x 1.50
12	2	0117410800	NIPPLE HP MVA AW
13	2	2614010100	O-RING 116 PRODUCT AS-AW
14	4	2614014900	O-RING 230 BRINE 3.0 END PLUG
15	2	061142145016	BOLT HEX .25-20 X 1 SS
16	2	061060045000	NUT HEX .25-20 W-INSERT SS
17	4	2614017900	O-RING 115 INTERCONNECT AW
18	4	061161845012	SC ALLEN FLAT .25-20 X .75 SS
19	6	061162345012	SC SOC CAP .25-20 X .75 SS
20	2	20201030000	SEGMENT RING AW (SET)
21	4	061100043000	WASHER FLAT OS .25 SS
22	1	2213017063	LABEL INLET (WHITE BACKGROUND)
23	1	061161626012	LABEL OUTLET (WHITE BACKGROUND)





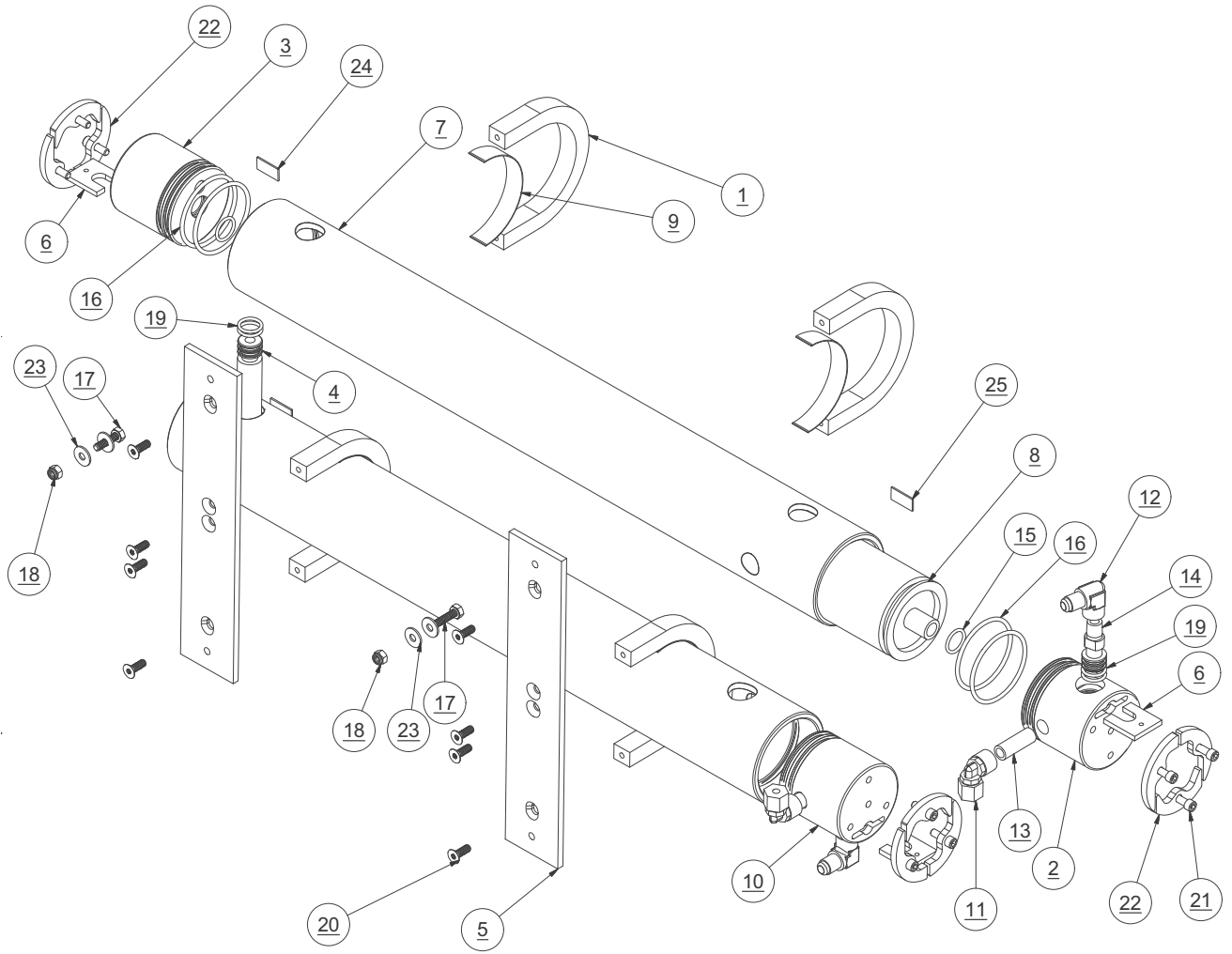
## B198000034 MEMBRANE RACK 900-1 STD AQM-II

ITEM NO.	QTY.	PART NUMBER	DESCRIPTION
1	2	05202401GR	BRACKET MVA U-CLAMP
2	1	2453502400	END PLUG SINGLE 3 AW
3	2	0117410800	HP NIPPLE 0.25 MPT
4	2	0520051800	MVA RACK AW SERIES
5	2	0520210600	RETAINER PORT MVA
6	1	2724011433	MEMBRANE 900 GPD AW W-SEAL
7	2	2615180100	FELT ADHESIVE 0.125 X 0.75 STRIP
8	1	2453512400	END PLUG DUAL 3 IN AW
9	1	2408132500-02	VESSEL HIGH PRESSURE 900GPD
10	2	1317011769	ELB90 6 FLARE X .25 FPT SS
11	1	0204010869	ELBOW,PP,1/4 ODx1/4 FT
12	1	0101370815	NIPPLE 0.25 NPT x 1.50
13	4	2614014900	O-RING 230 BRINE 3.0 END PLUG
14	2	061142145016	BOLT HEX .25-20 X 1 SS
15	2	061060045000	NUT HEX .25-20 W-INSERT SS
16	4	2614017900	O-RING 115 INTERCONNECT AW
17	2	2614010100	O-RING 116 PRODUCT AS-AW
18	4	061161845012	SC ALLEN FLAT .25-20 X .75 SS
19	6	061162345012	SC SOC CAP .25-20 X .75 SS
20	2	20201030000	SEGMENT RING AW (SET)
21	4	061100043000	WASHER FLAT OS .25 SS
22	1	2213017063	LABEL INLET (WHITE BACKGROUND)
23	1	2213017163	LABEL OUTLET (WHITE BACKGROUND)



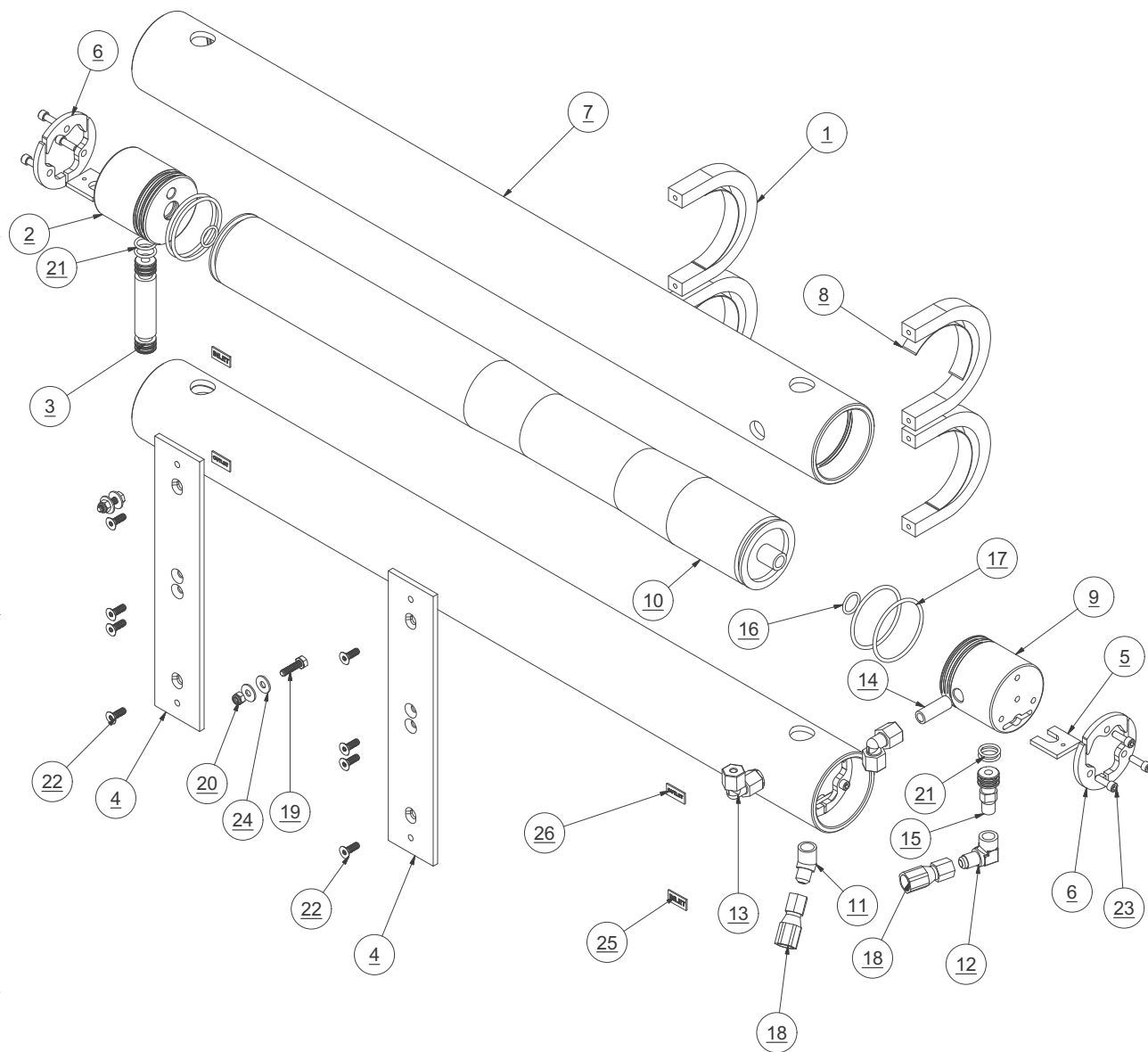
## B198000035 MEMBRANE RACK 900-2 STD AQM-II

ITEM NO.	QTY.	PART NUMBER	DESCRIPTION
1	4	05202401GR	BRACKET MVA U-CLAMP
2	1	H36160522400	END PLUG 3 IN DUAL HORIZON SEAFARI
3	2	2453502400	END PLUG SINGLE 3 AW
4	1	2417430800	INTERCONNECT MVA SS
5	2	0520051800	MVA RACK AW SERIES
6	4	0520210600	RETAINER PORT MVA
7	2	2408132500	VESSEL HIGH PRESSURE 450GPD
8	2	2724011233	MEMBRANE 450GPD AW W-SEAL
9	4	2615180100	FELT ADHESIVE 0.125 X 0.75 STRIP
10	1	2453512400	END PLUG DUAL 3 IN AW
11	2	0204010869	ELB90 .25 TUBE x .25 FNPT PLASTIC
12	2	1317011769	ELB90 6 FLARE X .25 FPT SS
13	2	0101370815	NIPPLE 0.25 NPT x 1.50
14	2	0117410800	NIPPLE HP MVA AW
15	4	2614010100	O-RING 116 PRODUCT AS-AW
16	8	2614014900	O-RING 230 BRINE 3.0 END PLUG
17	2	061142145016	BOLT HEX .25-20 X 1 SS
18	2	061060045000	NUT HEX .25-20 W-INSERT SS
19	8	2614017900	O-RING 115 INTERCONNECT AW
20	8	061161845012	SC ALLEN FLAT .25-20 X .75 SS
21	12	061162345012	SC SOC CAP .25-20 X .75 SS
22	4	20201030000	SEGMENT RING AW (SET)
23	4	061100043000	WASHER FLAT OS .25 SS
24	2	2213017063	LABEL INLET (WHITE BACKGROUND)
25	2	2213017163	LABEL OUTLET (WHITE BACKGROUND)



## B198000036 MEMBRANE RACK 1400-2 STD AQM-II

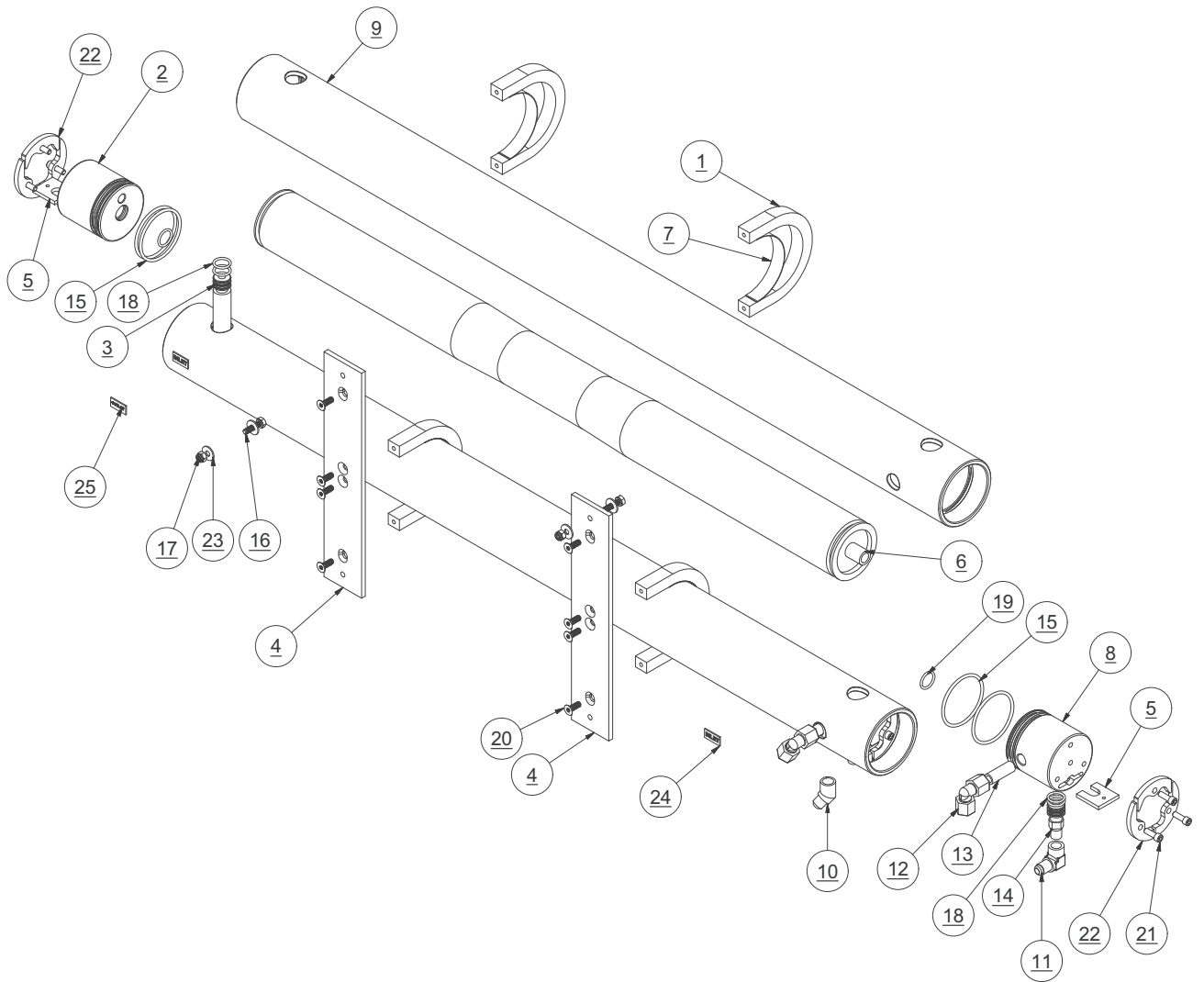
ITEM NO.	QTY.	PART NUMBER	DESCRIPTION
1	4	05202401GR	BRACKET MVA U-CLAMP
2	2	2453502400	END PLUG SINGLE 3 AW
3	1	2417430800	INTERCONNECT MVA SS
4	2	0520051800	MVA RACK AW SERIES
5	4	0520210600	RETAINER PORT MVA
6	4	20201030000	SEGMENT RING AW (SET)
7	2	2408132500-01	VESSEL HIGH PRESSURE 700GPD
8	4	2615180100	FELT ADHESIVE 0.125 X 0.75 STRIP
9	2	2453512400	END PLUG DUAL 3 IN AW
10	2	2724011333	MEMBRANE 450GPD AW W-SEAL
11	1	1317064800	ELB45 6 FLARE x .25 FNPT SS
12	1	1317011769	ELB90 6 FLARE X .25 FPT SS
13	2	0204010869	ELBOW,PP,1/4 ODx1/4 FT
14	2	0101370815	NIPPLE 0.25 NPT x 1.50
15	2	0117410800	NIPPLE HP MVA AW
16	4	2614010100	O-RING 116 PRODUCT AS-AW
17	8	2614014900	O-RING 230 BRINE 3.0 END PLUG
18	2	1317481969	SWIVEL FITTING 6 SS P
19	2	061142145016	BOLT HEX .25-20 X 1 SS
20	2	061060045000	NUT HEX .25-20 W-INSERT SS
21	8	2614017900	O-RING 115 INTERCONNECT AW
22	8	061161845012	SC ALLEN FLAT .25-20 X .75 SS
23	12	061162345012	SC SOC CAP .25-20 X .75 SS
24	4	061100043000	WASHER FLAT OS .25 SS
25	2	2213017063	LABEL INLET (WHITE BACKGROUND)
26	2	2213017163	LABEL OUTLET (WHITE BACKGROUND)



## B198000037 MEMBRANE RACK 1800-2

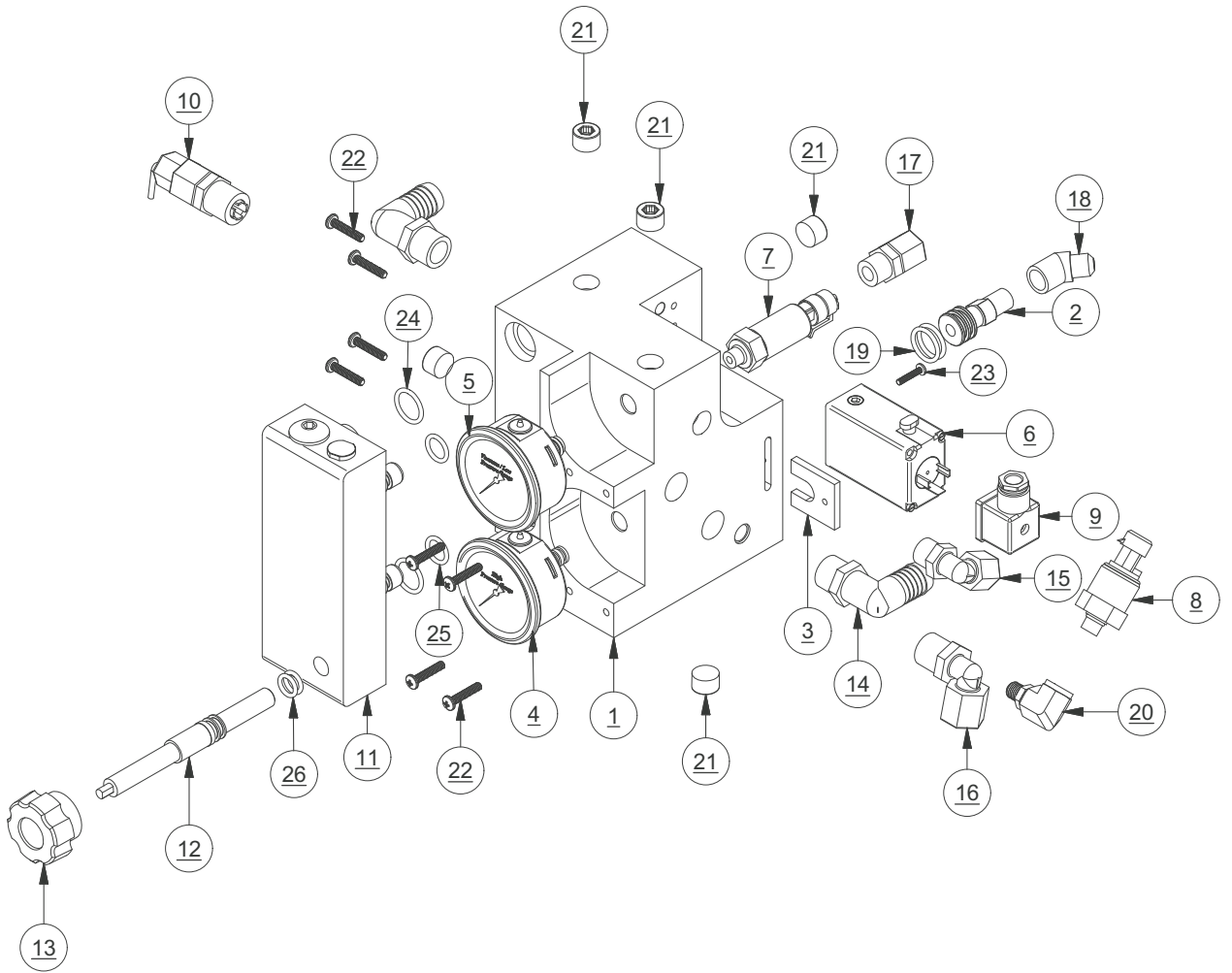
ITEM NO.	QTY.	PART NUMBER	DESCRIPTION
1	4	05202401GR	BRACKET MVA U-CLAMP
2	2	2453502400	END PLUG SINGLE 3 AW
3	1	2417430800	INTERCONNECT MVA SS
4	2	0520051800	MVA RACK AW SERIES
5	4	0520210600	RETAINER PORT MVA
6	2	2724011433	MEMBRANE 900 GPD AW W-SEAL
7	4	2615180100	FELT ADHESIVE 0.125 X 0.75 STRIP
8	2	2453512400	END PLUG DUAL 3 IN AW
9	2	2408132500-02	VESSEL HIGH PRESSURE 900GPD
10	1	1317064800	ELB45 6 FLARE x .25 FNPT SS
11	1	1317011769	ELB90 6 FLARE X .25 FPT SS
12	2	0204010869	ELBOW,PP,1/4 ODx1/4 FT
13	2	0101370815	NIPPLE 0.25 NPT x 1.50
14	2	0117410800	NIPPLE HP MVA AW
15	8	2614014900	O-RING 230 BRINE 3.0 END PLUG
16	2	061142145016	BOLT HEX .25-20 X 1 SS
17	2	061060045000	NUT HEX .25-20 W-INSERT SS
18	8	2614017900	O-RING 115 INTERCONNECT AW
19	4	2614010100	O-RING 116 PRODUCT AS-AW
20	8	061161845012	SC ALLEN FLAT .25-20 X .75 SS
21	12	061162345012	SC SOC CAP .25-20 X .75 SS
22	4	20201030000	SEGMENT RING AW (SET)
23	4	061100043000	WASHER FLAT OS .25 SS
24	2	2213017063	LABEL INLET (WHITE BACKGROUND)
25	2	2213017163	LABEL OUTLET (WHITE BACKGROUND)





## B502950001 MANIFOLD CONTRL SYS ASSY AWP

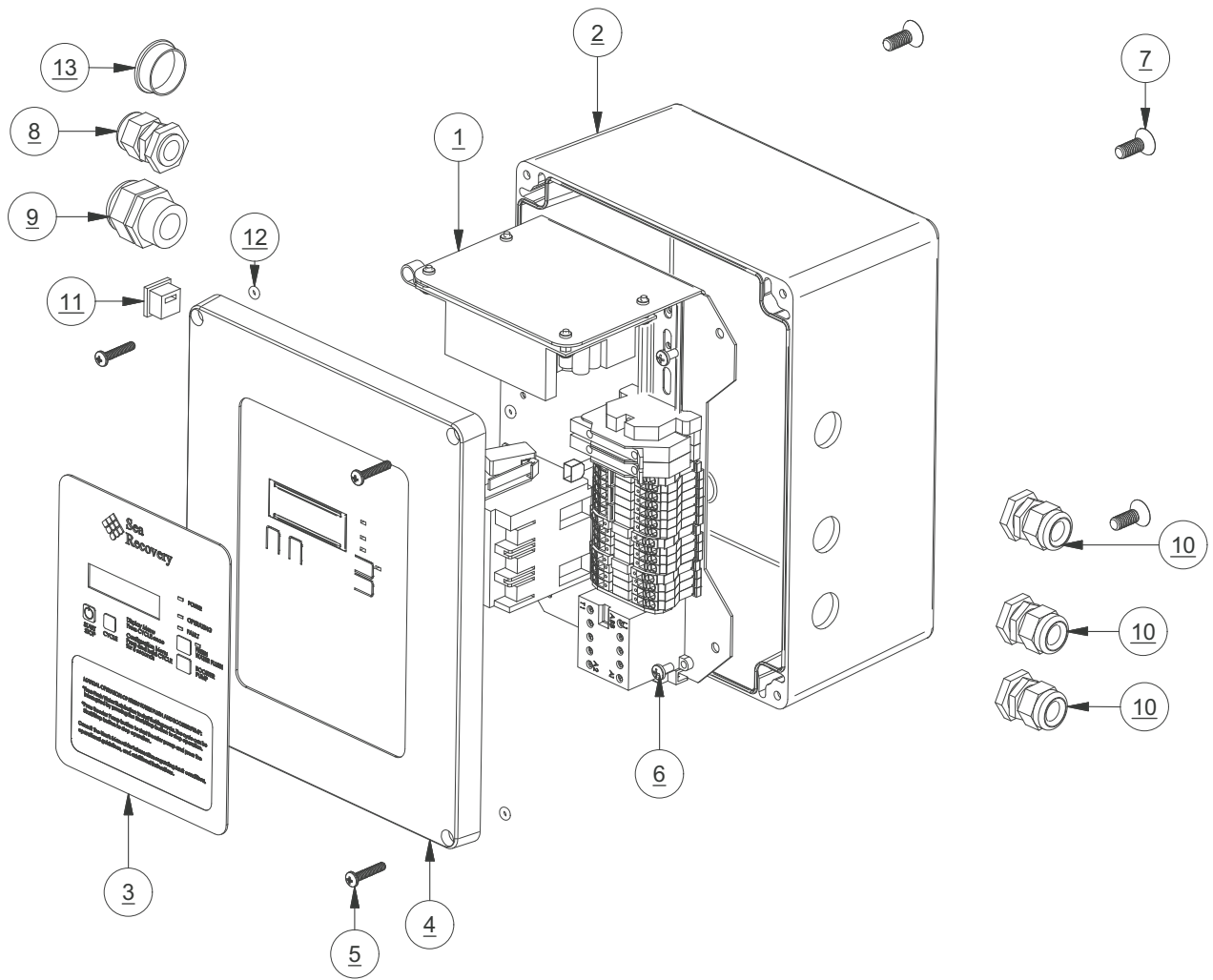
ITEM NO.	QTY.	PART NUMBER	DESCRIPTION
1	1	5353370700	MANIFOLD,CONTRL SYS,AWP
2	1	0117410800	HP NIPPLE 0.25 MPT
3	1	0520210600	RETAINER PORT MVA
4	1	10181421CC	GAUGE 0-1400 CBM.O-RING SEAL
5	1	10181523CC	GAUGE 0-70 CBM.NPT
6	1	1401096100	VALVE SOLENOID 12VDC
7	1	2317100200	TRANSDUCER 0-200 PSI .437 SAE
8	1	2317100300	TRANSDUCER 0-2000 PSI .437 SAE
9	1	3131682000	PLUG (CONNECTOR) DIN 4-PIN, CABLE DIAM 6-7MM
10	1	B511080003	SALINITY PROBE ASSY
11	1	H2510210001	FLOW METER.5-5GPM & 7-70GPH
12	1	H317481121005	BACKPRESSURE REGULATOR SHAFT HORIZON SEAFARI
13	1	H32458020158	KNOB BP REGULATOR
14	2	0112072600	ELB90 0.50 MPT x 0.75 BARB NYLON
15	2	0204021869	ELBOW,PP,3/8 ODx3/8 MT
16	1	0204022569	ELBOW,PP,1/2 ODx1/2 MT
17	2	0204091869	FITTING,PP,3/8 ODx3/8 MT
18	1	1317064800	ELB45 -6 FLARE x 0.25 FNPT SS
19	2	2614010100	O-RING 116 PRODUCT AS-AW
20	1	01172308BN	ELB90 ST 1/4 MPT X1/4 FPT 316SS -W/ORING
21	5	0117341869	PLUG .375 MNPT SS
22	8	061160630016	SC PHIL PAN #10-24x1 L SS
23	1	061170618109	SC PHIL PAN A #6 X .75 SS
24	2	2614010100	O-RING 116 PRODUCT AS-AW
25	2	2614014600	O-RING 113 PLUG PRODUCT AW-FM
26	2	2614017100	O-RING 111 SALINITY PRB-BPR CS



---

## B595950001 CONTROLLER AWPC 110-220-1PH

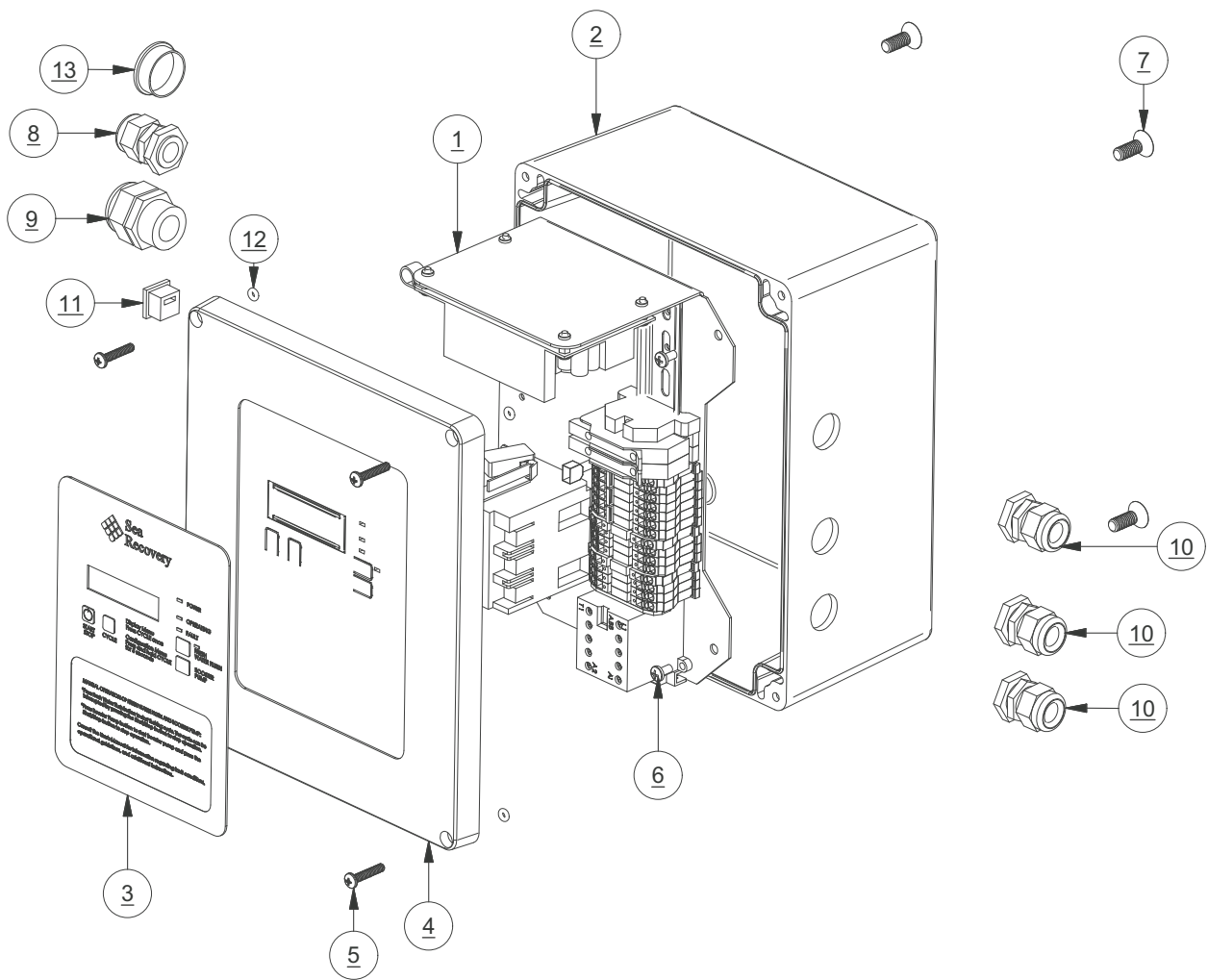
ITEM NO.	QTY.	PART NUMBER	DESCRIPTION
1	1	H619110003	CHASSIS CONTROLLER SEAFARI VERS, 1 PHASE
2	1	31312282CH	ENCLOSURE CONNECTION, HORIZON SEAFARI, REAR
3	1	3131561601	OVERLAY, TOUCH PAD (SRC)
4	1	R-31809001RS	LID,CONTROLLER,LCD,9.27 IN X 11.27 IN
5	4	061160630016	SC PHIL PAN #10-24x1 L SS
6	4	061160631005	SC PHIL PAN #10-32 X .31 SS
7	4	061161850014	SC ALLEN FLAT .31-18 X .875 SS
8	1	1904010043	STRAIN RELIEF 3217 .50 IN GREY
9	1	1904010243	STRAIN RELIEF 3222 .75 BLK
10	3	1904011800	STRAIN RELIEF 3 HOLE X 6MM
11	1	1904019243	STRAIN RELIEF 1834
12	4	2614012653	ORING GUIDE ROD 40 GPM 104
13	1	H31031100777	PLUG WHITE DOME 2723



---

## B595950002 CONTROLLER AWPC 220-380-3PH

ITEM NO.	QTY.	PART NUMBER	DESCRIPTION
1	1	H619110004	CHASSIS CONTROLLER SEAFARI VERS, 3 PHASE
2	1	31312282CH	ENCLOSURE CONNECTION, HORIZON SEAFARI, REAR
3	1	3131561601	OVERLAY, TOUCH PAD (SRC)
4	1	R-31809001RS	LID,CONTROLLER,LCD,9.27 IN X 11.27 IN
5	4	061160630016	SC PHIL PAN #10-24x1 L SS
6	4	061160631005	SC PHIL PAN #10-32 X .31 SS
7	4	061161850014	SC ALLEN FLAT .31-18 X .875 SS
8	1	1904010043	STRAIN RELIEF 3217 .50 IN GREY
9	1	1904010243	STRAIN RELIEF 3222 .75 BLK
10	3	1904011800	STRAIN RELIEF 3 HOLE X 6MM
11	1	1904019243	STRAIN RELIEF 1834
12	4	2614012653	ORING GUIDE ROD 40 GPM 104
13	1	H31031100777	PLUG WHITE DOME 2723

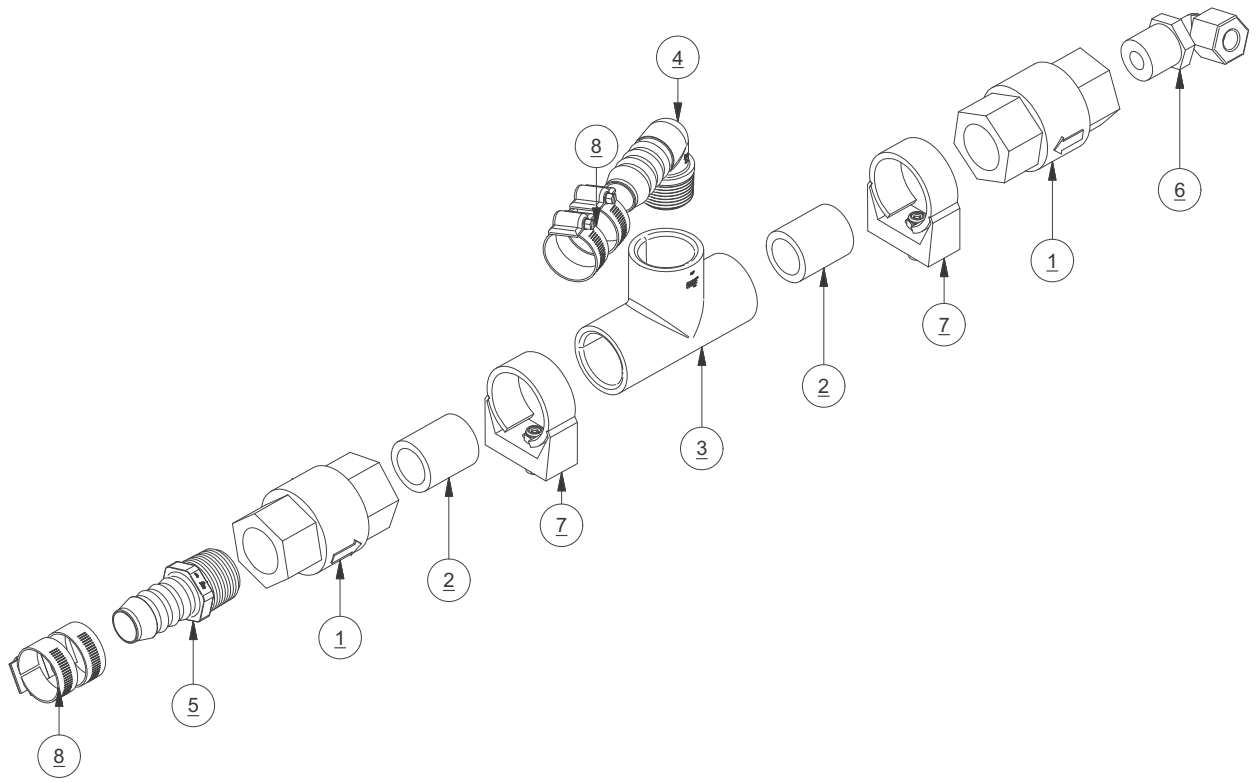


---

## B501950003 CHECK VALVE ASSY AWPC

ITEM NO.	QTY.	PART NUMBER	DESCRIPTION
1	2	14012118AR	VALVE CHECK .75 FPT WITH VITO
2	2	101013737CL	NIPPLE 0.75 NPT x CL
3	1	0101423783	TEE 0.75 FT x FT x FT
4	1	01120737DG	ELB90 0.75 MPT x BARB NYLON
5	1	0112653700	ADAP .75 MPT X.75 BARB NYLON
6	1	0204021969	ELBOW,PP,3/8 ODx1/2 MT
7	2	0501164200	PIPE SUPPORT 1.125
8	4	05181434AA	HOSE CLAMP .75 SS
9	2	061060026000	NUT,HEX 8-32 W-INSERT SS
10	2	061161626012	SC PHIL FLAT #8-32 X .75 SS

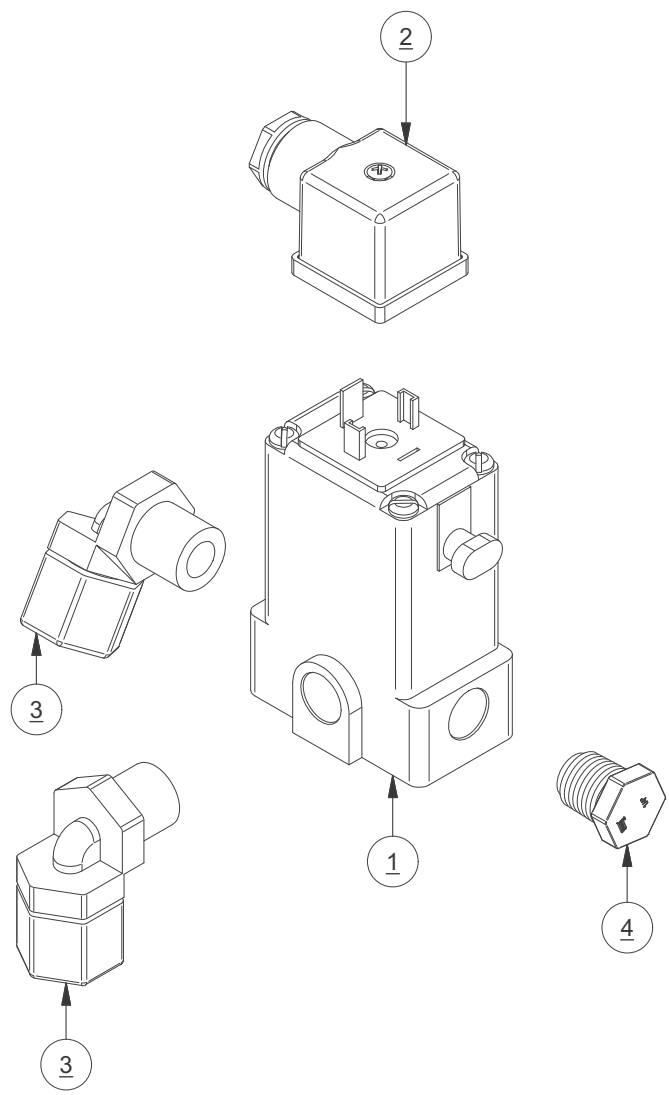




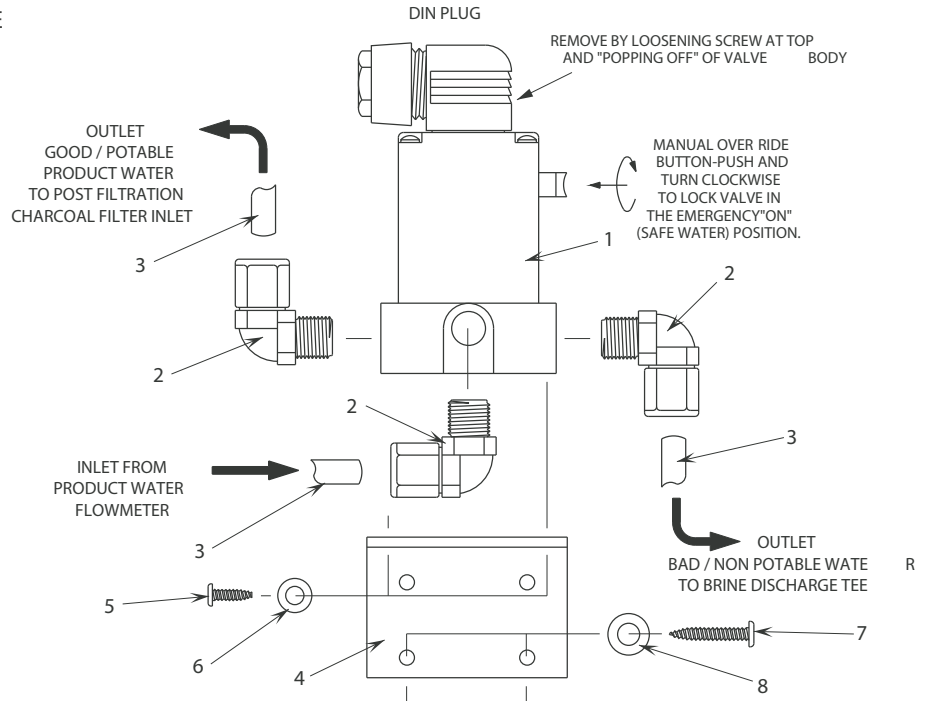
---

## B516950003 FWF DIV VALVE ASSY AWPC

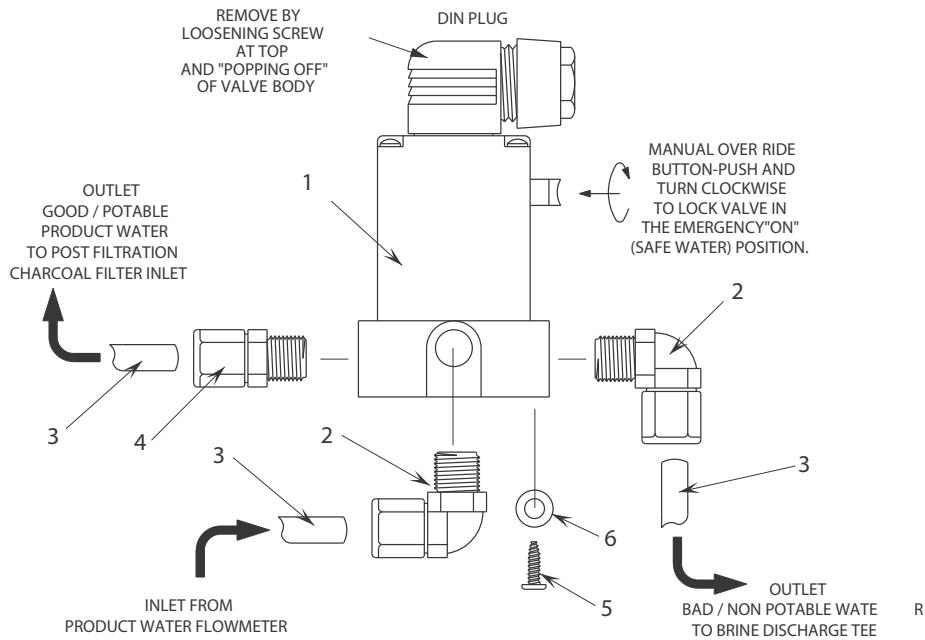
ITEM NO.	QTY.	PART NUMBER	DESCRIPTION
1	1	1401095998	SOLENOID VALVE EXTERNAL PORT
2	1	3131680298	PLUG CONNECTOR DIN 3-PIN
4	1	0101340883	PLUG 0.25 MT
3	2	0204021769	FITTING,PP,3-8 ODx1-4 MT



**3-WAY PRODUCT WATER  
DIVERSION SOLENOID VALVE  
PORT DESIGNATION &  
WATER FLOW  
DESCRIPTION**



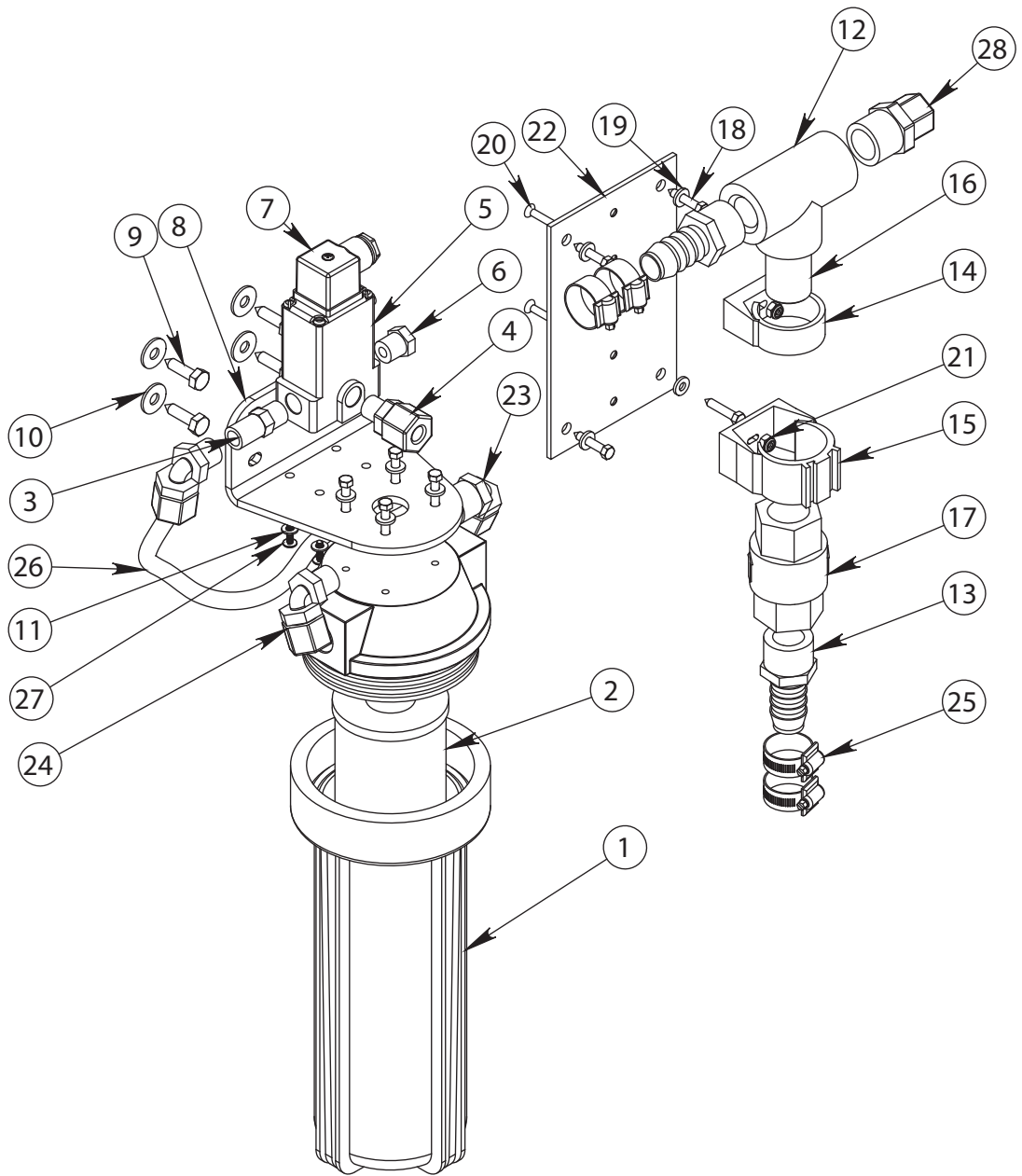
PLUMBING CONNECTIONS  
 "P" = INLET (COMMON)  
 "B" = NORMALLY OPEN -TO DISCHARGE (BAD WATER)  
 "A" = NORMALLY CLOSED -TO CHARCOAL FILTER INLET (GOOD WATER)



PLUMBING CONNECTIONS  
 "P" = INLET (COMMON)  
 "B" = NORMALLY OPEN -TO DISCHARGE (BAD WATER)  
 "A" = NORMALLY CLOSED -TO CHARCOAL FILTER INLET (GOOD WATER)

**B598000008 FRESH WATER FLUSH (0.50 INCH)**

ITEM NO.	QTY.	PART NO.	DESCRIPTION
1	1	0713020873	FILTER HOUSING 1/2 X 10"
2	1	0803004773	CHARCOAL FILTER 10 IN
3	1	14172105AT	VALVE CHECK .25 MNPT SS
4	1	0204091769	CONN 3/8 TUBE X 1/4 MPT PLASTIC
5	1	1401095998	VALVE SOLENOID 12VDC AED/CSFE
6	1	0101340883	PLUG 1/4 MPT PVC
7	1	3131680298	PLUG CONNECTOR DIN 3-PIN
8	1	20200402102	SINGLE FILTER BRACKET
9	4	061172143016	SC HEX "A" 1/4 X 1.0 SS
10	4	061100043000	WASHER FLAT OS 1/4"SS
11	4	065080023000	WASHER FLAT #8 NYLON
12	1	0101423783	TEE .75 FNPT x .75 FNPT x .75 FNPT PVC
13	2	0101653783	ADAP 3/4 MPT X 3/4 BARB PVC
14	1	0501164200	PIPE SUPPORT 1 1/8" #36
15	1	0501164500	PIPE SUPPORT 1 1/4"
16	1	01013737CL	NIPPLE .75 NPT X CLOSE PVC
17	1	14012118AR	VALVE CHECK .75 FNPT WITH VITO
18	8	061170628016	SC PHIL PAN "A" 10 X 1 SS
19	8	065080028000	WASHER FLAT #10 NYLON
20	2	061161626012	SC PHIL FLAT 8-32 X 3/4 SS
21	2	061060026000	NUT HEX 8-32 W/INSERT SS
22	1	2020040002	BRACKET CHECK VALVE FWF
23	1	0204011769	ELB90 3/8 TUBE X 1/2 MPT PLAST
24	2	0204011769	ELB90 .375 TUBE x .25 FNPT PLASTIC
25	4	05181432AA	HOSE CLAMP 1/2" SS
26	1	0312123569	TUBE .375 BLACK
27	4	061170623008	SC PHIL PAN "B" #8 X 1/2" SS
28	1	0204092069	CONN 3/8 TUBE X 3/4 MPT PLASTIC

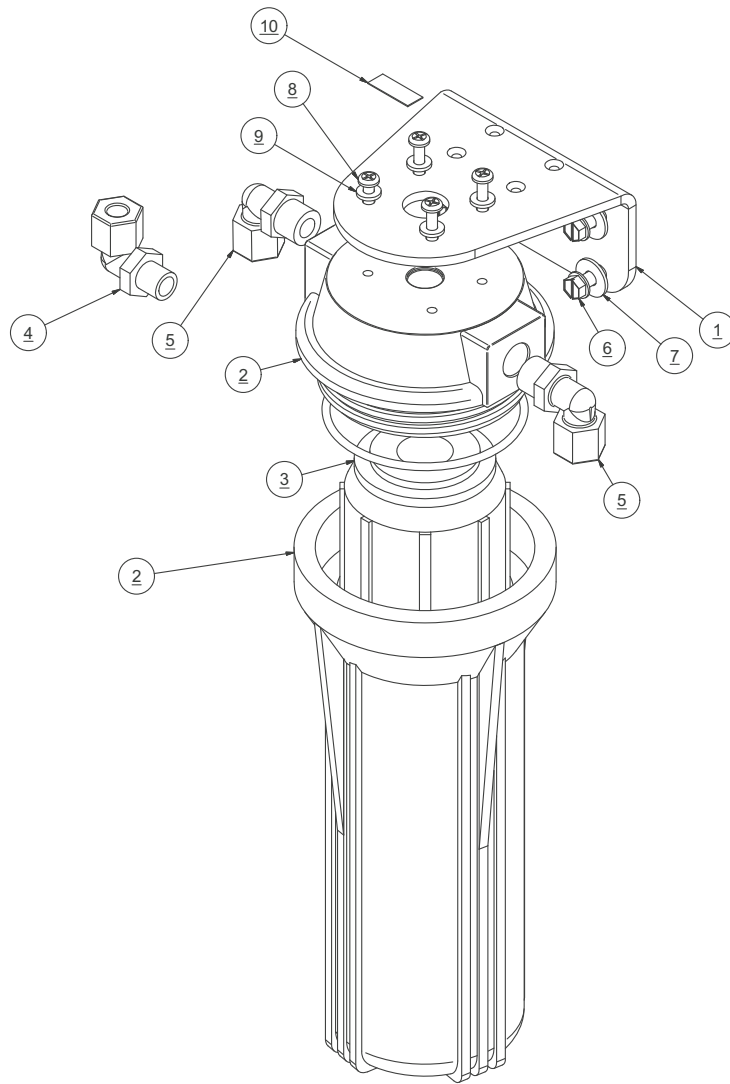


**B561080001 PH NEUTRALIZER ASSY 0.5-1.5 GPM**

ITEM NO.	QTY.	PART NUMBER	DESCRIPTION
1	1	20200402102	BRACKET SINGLE FILTER
2	1	0713020573	FILTER HOUSING-LID .375 X 10 ASM
3	1	08251950AS	ELEMENT POST FILTER PH 9.75 IN
4	2	0204020969	ELB90 .25 TUBE x .375 MPT PLASTIC
5	2	0204021869	ELBOW,SS,3/8 ODx3/8 MT
6	4	061172143016	SCREX,HEX A,.25x1.00,SS
7	4	061100043000	WASHER,FLAT,OS,1/4",SS
8	4	061170628016	SC PHIL PAN A #10 X 1 SS
9	1	065080028000	WASHER FLAT #10 NYLON
10	1	2224018760	LABEL,PH NEUTRALIZER

**RECOMMENDED SPARES**

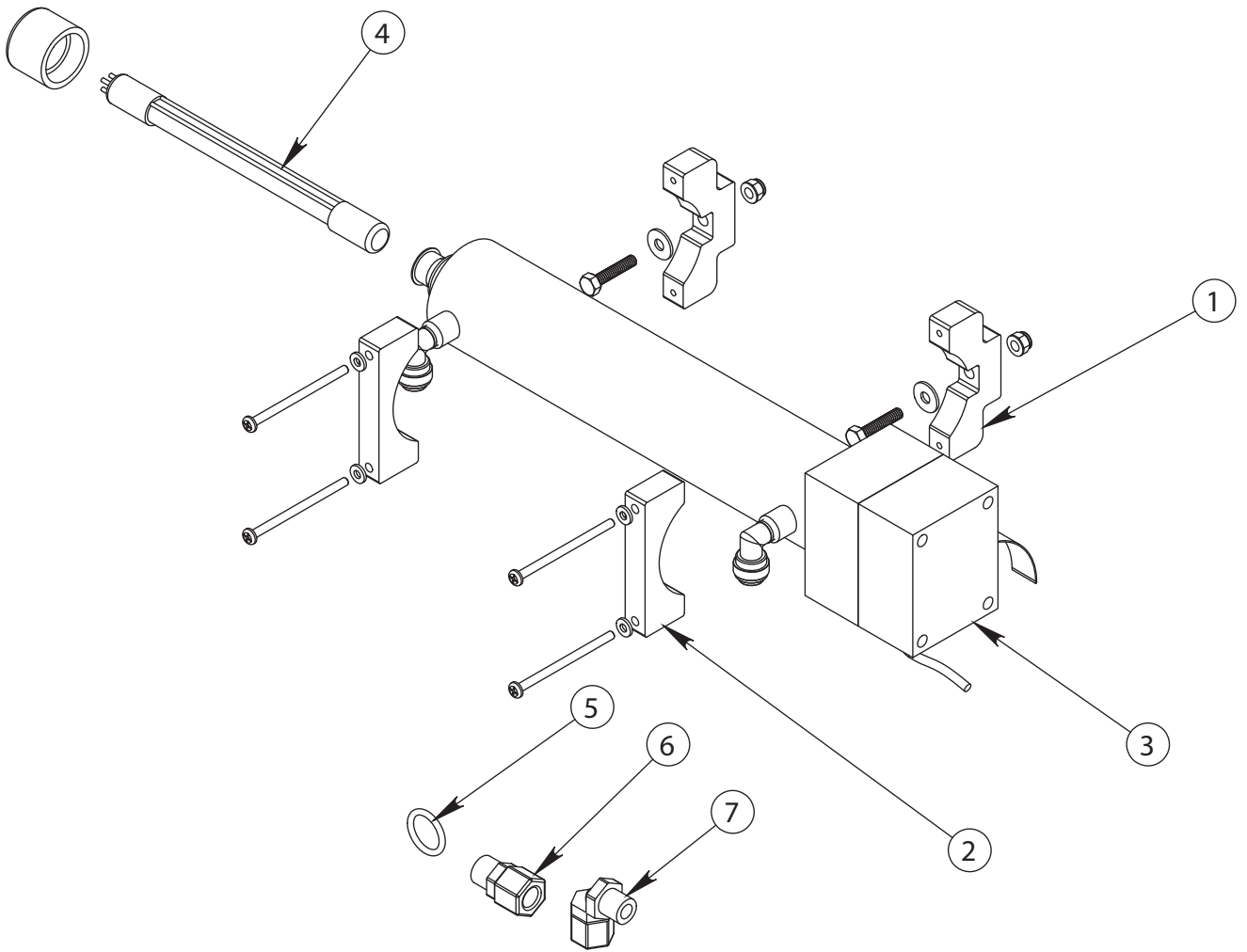
PART NUMBER	DESCRIPTION
2614010473	O-RING BLUE HSG 237





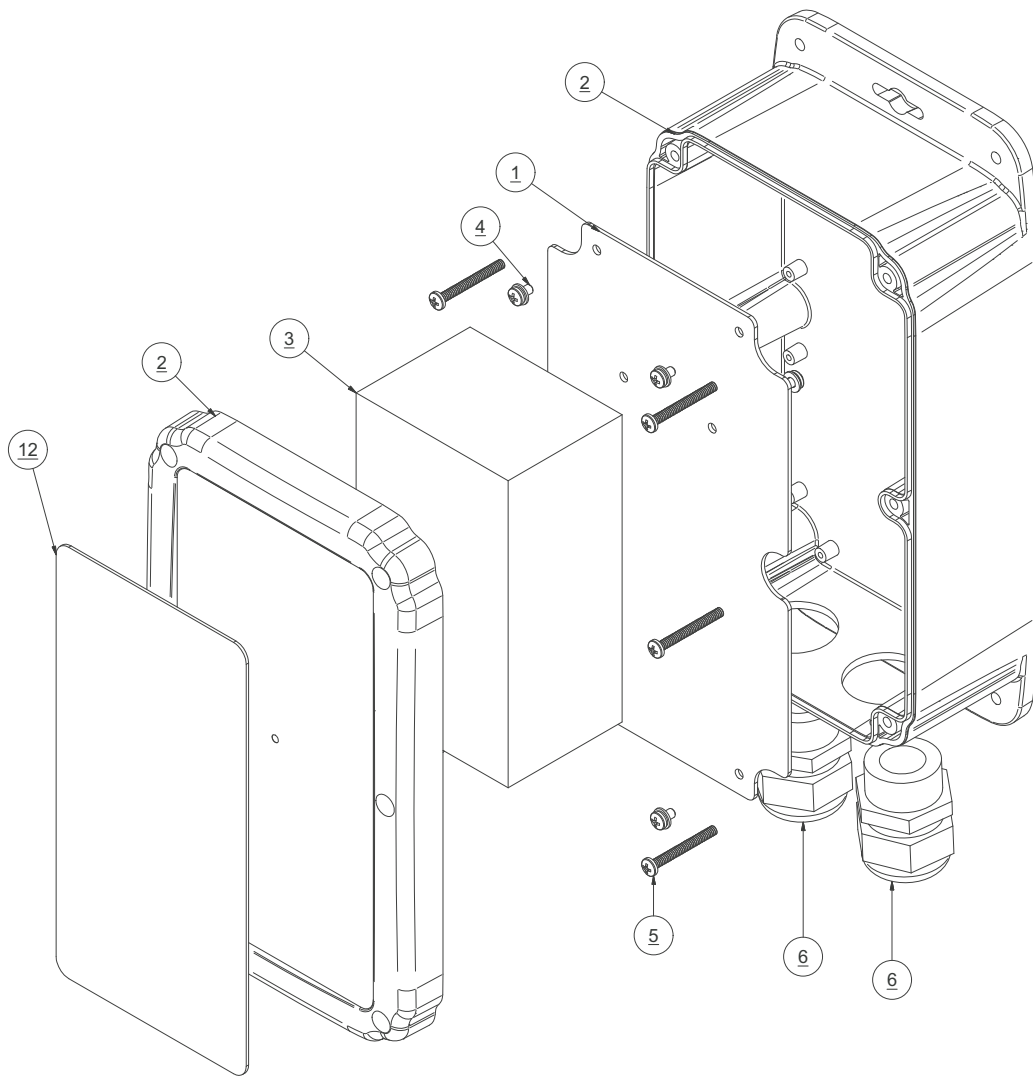
**B5262000CV UV STERILIZER 12VDC 2GPM**

ITEM NO.	QTY.	PART NO.	DESCRIPTION
1	2	20010418002A	VALVE BRACKET CLEAN/RINSE KIT
2	2	20010418001A	BRACKET MNT SADDLE UV-AW TOP
3	1	40000306CV	UV STERILIZER 2 GPM 12VDC
4	1	40000100CV	UV LAMP 2 GPM
5	1	2614019000	O-RING 212 QUARTZ SLEEVE
6	1	0204091869	CONN 3/8 TUBE X 3/8 MPT PLASTIC
7	1	0204021769	ELB90 3/8 TUBE X 1/4 MPT PLASTIC



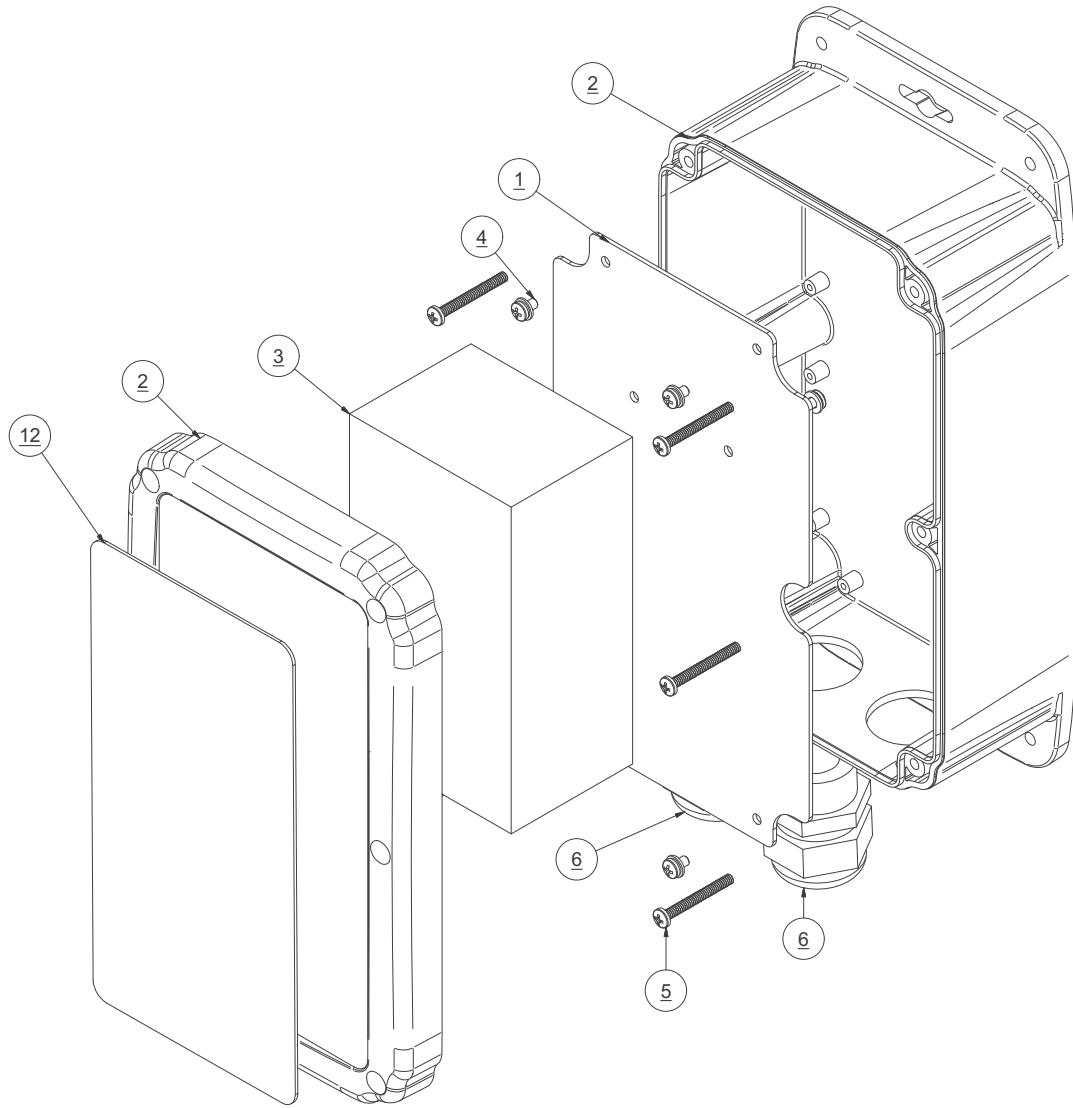
**B596800014 SOFTSTART 230V 50-60HZ SURESTART**

ITEM NO.	QTY.	PART NUMBER	DESCRIPTION
1	1	3131232000	CHASSIS PLATE,SOFTSTART,AL
2	1	3120220600	ENCLOSURE,SOFTSTART,POLYCARBON
3	1	3131114002	SOFTSTART, 230V, 1PH, 3HP, SURESTART
4	6	061160620005	SC PHIL PAN #6-32 x 0.25 SPECIAL
5	6	061160620020	SC PHIL PAN 6-32 X 1 1/4 SS
6	2	1904010343	STRAIN RELIEF 3223 .75 GREY
7	1	3131160500	TERMINAL, FEMALE DISCONNECTS,1
8	12 FEET	3131164300	WIRE MARKER 1" 12 - 10 AWG
9	2	3131210495	WIRE NUT YELLOW
10	6 FEET	4932231223	WIRE 10/3 SO
11	6 FEET	4932241021	WIRE 14/4 SO BLACK JACKET
12	1	2213018800	LABEL SOFTSTART 230V SURESTART



**B596800015 SOFTSTART 115V 50-60HZ SURESTART**

ITEM NO.	QTY.	PART NUMBER	DESCRIPTION
1	1	3131232000	CHASSIS PLATE,SOFTSTART,AL
2	1	3120220600	ENCLOSURE,SOFTSTART,POLYCARBON
3	1	3131114001	SOFTSTART, 115V, 1PH, 3HP, SURESTART
4	6	061160620005	SC PHIL PAN #6-32 x 0.25 SPECIAL
5	6	061160620020	SC PHIL PAN 6-32 X 1 1/4 SS
6	2	1904010343	STRAIN RELIEF 3223 .75 GREY
7	1	3131160500	TERMINAL, FEMALE DISCONNECTS,1
8	12 FEET	3131164300	WIRE MARKER 1" 12 - 10 AWG
9	2	3131210495	WIRE NUT YELLOW
10	6 FEET	4932231223	WIRE 10/3 SO
11	6 FEET	4932251021	WIRE 14/5 SO BLACK JACKET
12	1	2213018700	LABEL SOFTSTART 115V SURESTART



**B611000004 REMOTE ASSY LCD CONTROLLER 80**

ITEM NO.	QTY.	PART NUMBER	DESCRIPTION
1	1	4900283104	CABLE MULTIST 8 CON WHT
2	2	3131100900	EZ PLUG RJ45
3	1	31315606WE	REMOTE TOUCH PAD 170

