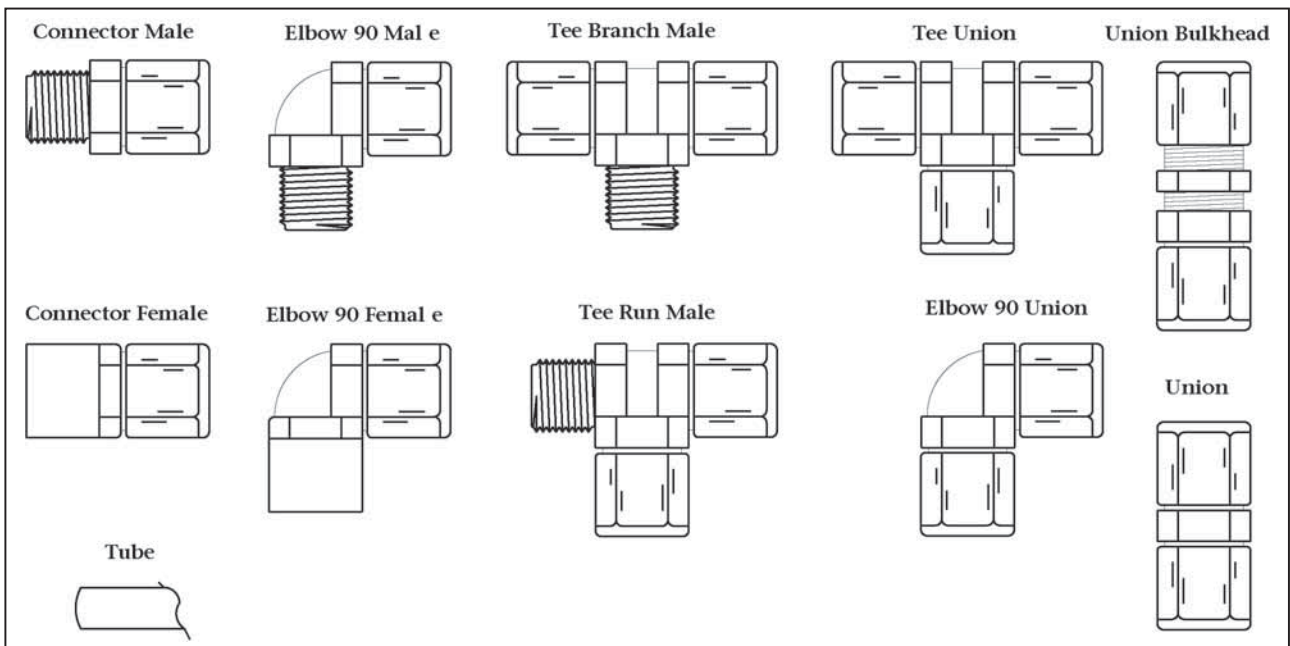


# Aqua Whisper Mini Spare Parts

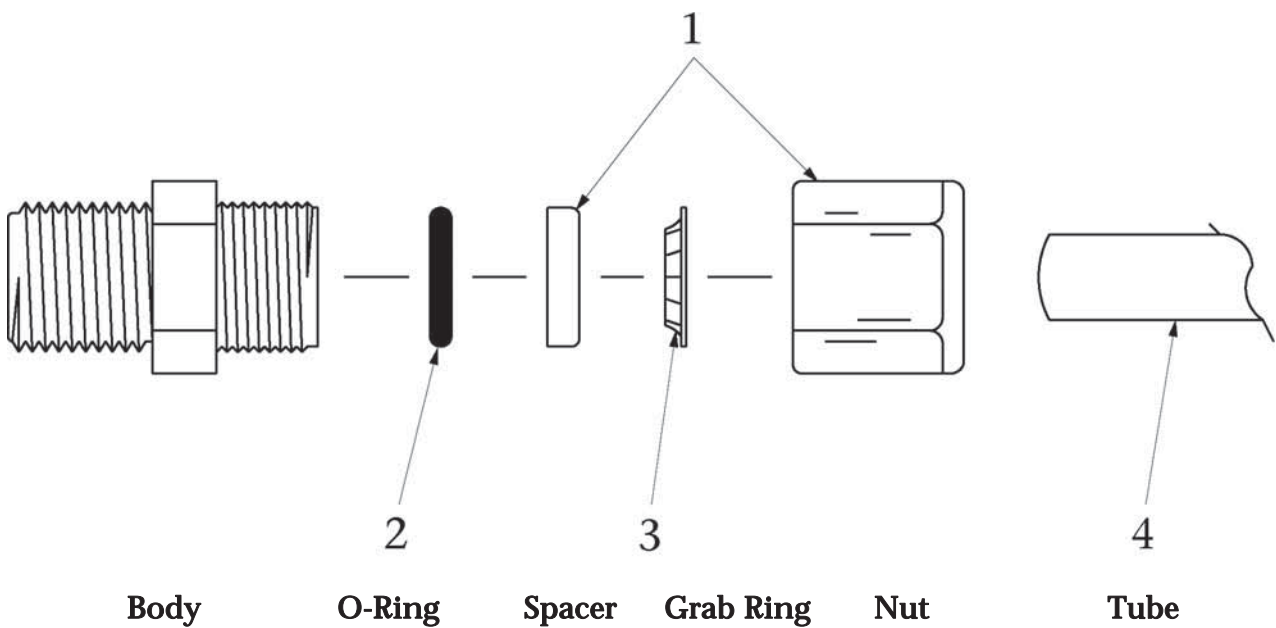
---

### AVAILABLE TUBE FITTINGS



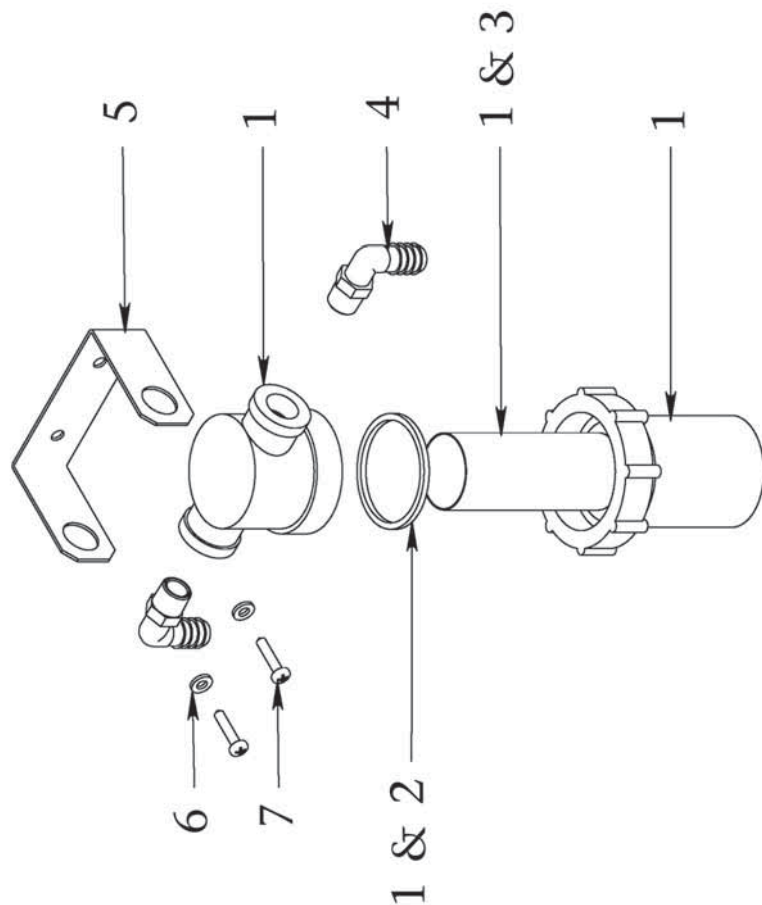
Specify Tube Size and Specify Pipe Size and Specify Male or Female

1/4" O.D.	1/4	MNPT	FNPT
3/8" O.D.	3/8	MNPT	FNPT
1/2" O.D.	1/2	MNPT	FNPT
5/8" O.D.	3/4	MNPT	FNPT



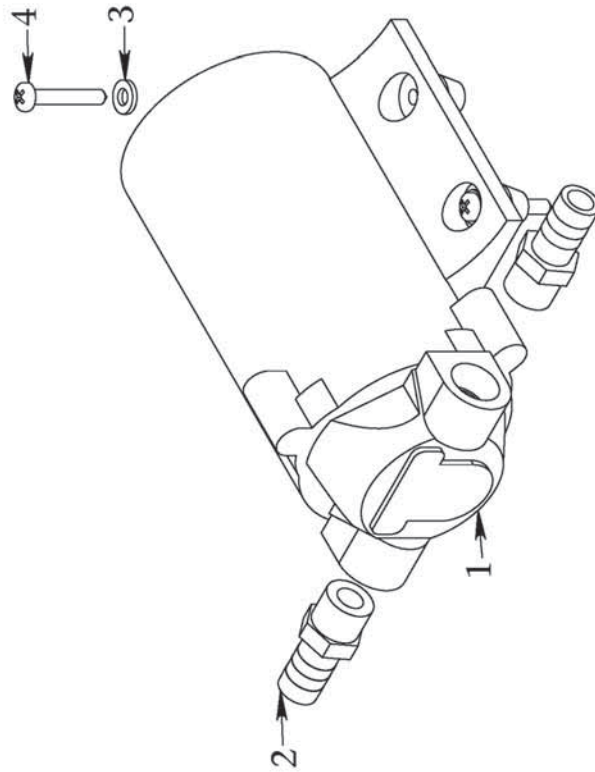
### SEA STRAINER

ITEM NO.	QTY.	U/M	PART NUMBER	DESCRIPTION
1 -- 7	1	EACH	B006220002	SEA STRAINER ASSY 170
1	1	EACH	0412034678	SEA STRAINER-3/8"
2	1	EACH	2614100278	O-RING 226 SEA STRAINER 3/8"
3	1	EACH	0804743278	MESH SCREEN STRAINER 3/8"
4	2	EACH	0204021869	ELB90 3/8 TUBE X 3/8 MPT PLAST
5	1	EACH	20200403010	BRACKET SEA STRAINER 3/8"
6	2	EACH	065080028000	WASHER FLAT #10 NYLON
7	2	EACH	061170628016	SC PHIL PAN "A" 10 X 1 SS



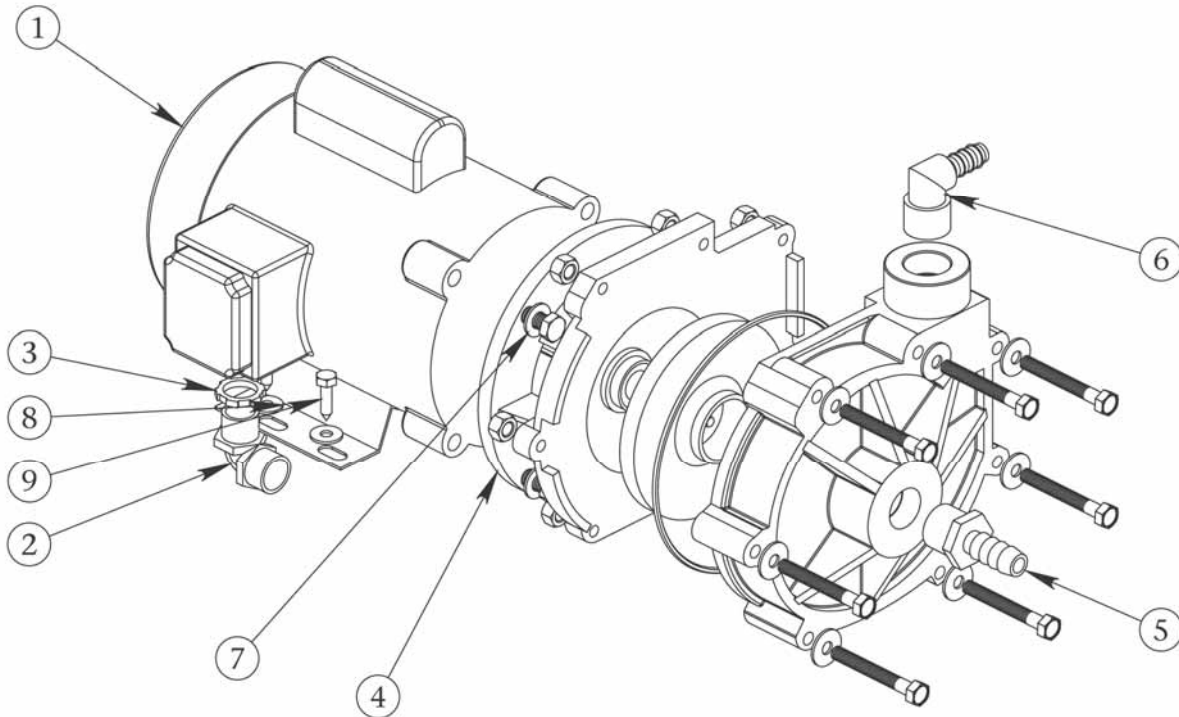
### BOOSTER PUMP with ELECTRIC MOTOR Aqua Mini 170

ITEM NO.	QTY.	PART NUMBER	DESCRIPTION
1-4	1	B016220001	170 Booster Pump Assy 12 VDC
-	1	B016220002	170 Booster Pump Assy 24 VDC
-	1	B016220003	170 Booster Pump Assy 115 VAC
-	1	B016220004	170 Booster Pump Assy 220 VAC
1	1	12124001SF	Booster Pump/Motor 12 VDC
-	1	12124002SF	Booster Pump/Motor 24 VDC
-	1	12124003SF	Booster Pump/Motor 115 VAC
-	1	12124004SF	Booster Pump/Motor 220 VAC
2	2	0112651900	Adapter Nylon 3/8" MPT 1/2" Barb
3	4	065080028000	Nylon Washer #10
4	4	061170628020	SC Phil "A" #10 x 1 1/4" SS



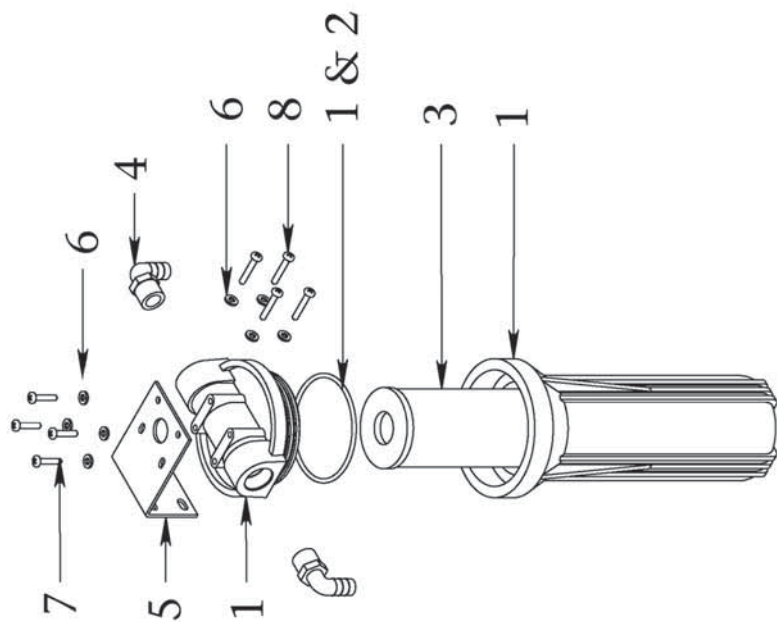
B016230002 BOOSTER PUMP ASSY N200 50/60/1

ITEM NO.	QTY.	PART NUMBER	DESCRIPTION
1	1	1519081110	MOTOR .50 HP 110-230-50-60-1PH
2	1	1920023632	STRAIN RELIEF 90 CG90-6250
3	1	063200066000	NUT LOCK .50 STEEL
4	1	1221515772	BOOSTER PUMP HEAD N200
5	1	0112653600	ADAP 3/4 MPT X 1/2 BARB NYLON
6	1	0112072601	ELB 90 3/4" MPT X 1/2" BARB NY
7	4	061080056000	WASHER FLAT 3/8" SS
8	4	061100043000	WASHER FLAT OS 1/4"SS
9	4	061172143016	SC HEX "A" 1/4 X 1.0 SS



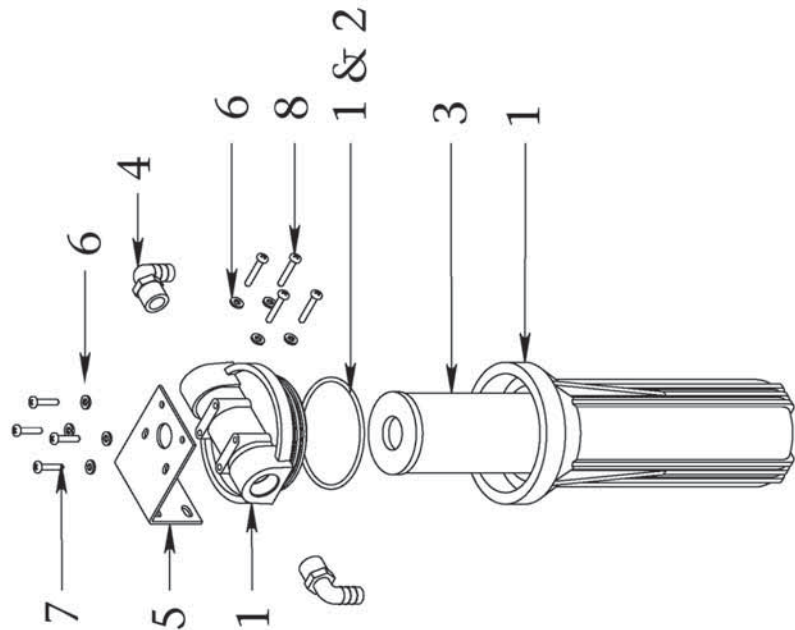
PLANKTON FILTER

ITEM NO.	QTY.	U/M	PART NUMBER	DESCRIPTION
1 -- 8	1	EACH	B008220001	PLANKTON FILTER ASSEMBLY 170 & 350
1	1	EACH	0713020573	FILTER HOUSING/LID 3/8 X 10
2	1	EACH	2614010473	O-RING 237 BLUE HOUSING
3	1	EACH	0805823578	ELEMENT PLANKTON
4	2	EACH	0112071900	ELB90 3/8 X 1/2 BARB NYLON
5	1	EACH	20200402100	BRACKET PREFILTER/CHRCCL/PLNKTN
6	8	EACH	065080028000	WASHER FLAT #10 NYLON
7	4	EACH	061170628016	SC PHIL PAN "A" 10 X 1 SS
8	4	EACH	061170628020	SC PHIL PAN "A" 10 X 1 1/4 SS



PREFILTER ASSY 170

ITEM NO.	QTY.	U/M	PART NUMBER	DESCRIPTION
1 -- 8	1	EACH	B107220002	PREFILTER ASSY 170
1	1	EACH	0713020573	FILTER HOUSING/LID 3/8 X 10
2	1	EACH	2614010473	O-RING 237 BLUE HOUSING
3	1	EACH	0801060157	ELEMENT PREFILTER 10/05
4	2	EACH	0112071900	ELB90 3/8 X 1/2 BARB NYLON
5	1	EACH	20200402100	BRACKET PREFILTER/CHRC/L/PLNKTN
6	8	EACH	065080028000	WASHER FLAT #10 NYLON
7	4	EACH	061170628016	SC PHIL PAN "A" 10 X 1 SS
8	4	EACH	061170628020	SC PHIL PAN "A" 10 X 1 1/4 SS

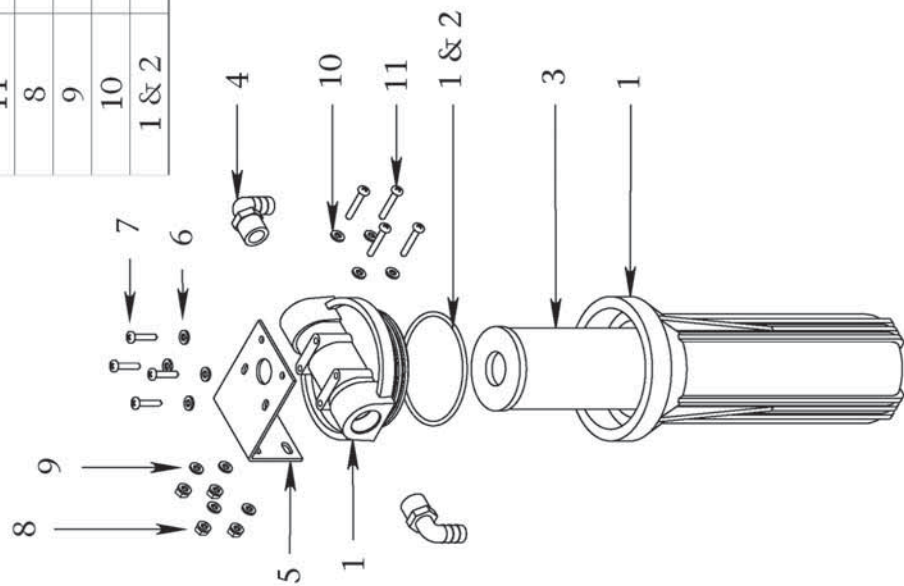


**CAUTION:** Do not use third party prefilter elements, use only Sea Recovery Prefilter Elements. Third party prefilter elements on the market do not properly fit, the seams fall apart, they will allow by-pass resulting in premature fouling of the R.O. Membrane Element.

**CAUTION:** Do not use "string wound" or "fiber" prefilter elements. These type of elements are designed for the Photographic Film Developing industry. When used in sea water they will plug up rapidly in 1/10th or less the time causing frequent shut down of the system and very high cost of maintenance.

PREFILTER ASSY 350

ITEM NO.	QTY.	U/M	PART NUMBER	DESCRIPTION
1 --11	1	EACH	B107230001	PREFILTER ASSY 350
5	1	EACH	20200402100	BRACKET PREFILTER/CHRCL/PLNKTN
1	1	EACH	0713020573	FILTER HOUSING/LID 3/8 X 10
3	1	EACH	0801060157	ELEMENT PREFILTER 10/05
4	2	EACH	0112071900	ELB90 3/8 X 1/2 BARB NYLON
7	4	EACH	061170628016	SC PHIL PAN "A" 10 X 1 SS
11	4	EACH	061142145012	BOLT HEX 1/4-20 X 3/4 SS
8	4	EACH	065070045000	NUT LOCKING 1/4-20 FLANGED NYL
9	4	EACH	061100043000	WASHER FLAT OS 1/4"SS
10	4	EACH	065080028000	WASHER FLAT #10 NYLON
1 & 2	1	EACH	2614010473	O-RING 237 BLUE HOUSING



**CAUTION:** Do not use third party prefilter elements, use only Sea Recovery Prefilter Elements. Third party prefilter elements on the market do not properly fit, the seams fall apart, they will allow by-pass resulting in premature fouling of the R.O. Membrane Element.

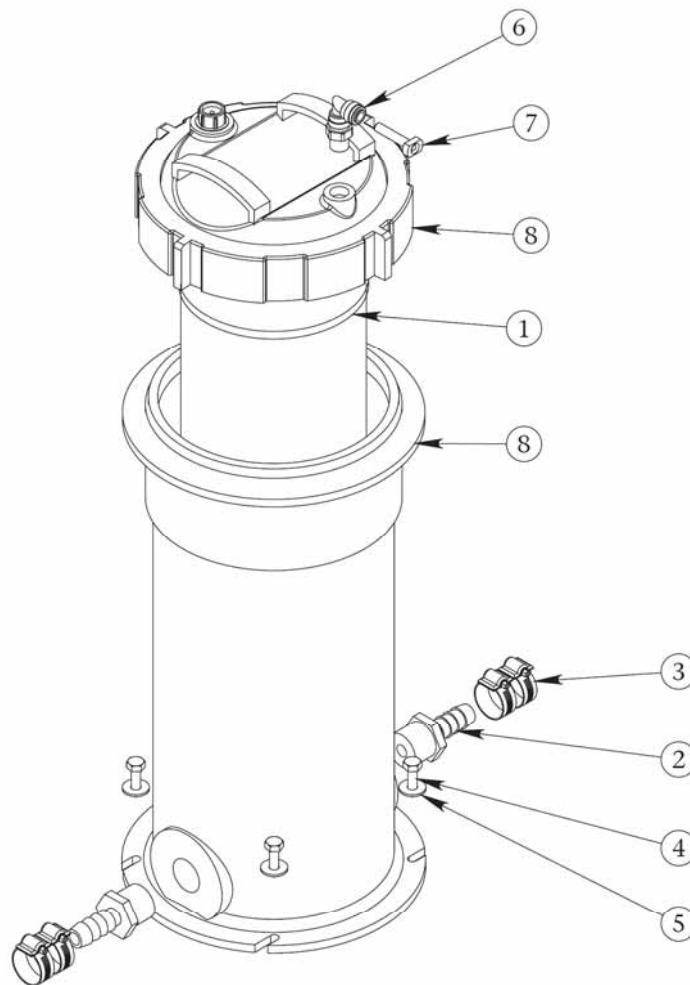
**CAUTION:** Do not use "string wound" or "fiber" prefilter elements. These type of elements are designed for the Photographic Film Developing industry. When used in sea water they will plug up rapidly in 1/10th or less the time causing frequent shut down of the system and very frequent changing resulting in very high cost of maintenance.



**OIL WATER SEPARATOR ASSY - B107230010**

(Only available for the Aqua Whisper Mini 350 model)

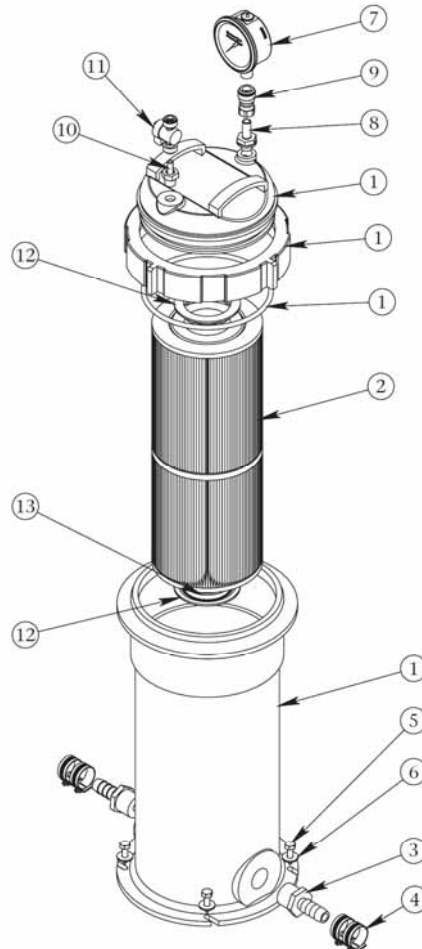
Item No.	Part No	Description	QTY
1	08020723KD	ELEMENT OWSE 32.5 SQFT	1
2	0112653600	ADAP 3/4 MPT X 1/2 BARB NYLON	2
3	05181432AA	HOSE CLAMP 1/2" SS	4
4	061172143016	SC HEX "A" 1/4 X 1 SS	4
5	061100043000	WASHER FLAT OS 1/4" SS	4
6	0204020100	ELB90 1/4 TUBE JG X 1/4 MNPT	1
7	0204990300	PLUG 1/4 JG	1
8	07620310WA	FILTER HOUSING 32.5 SQFT >10/01	1



**COMMERCIAL PREFILTER ASSY - B107230005**

(Only available for the Aqua Whisper Mini 350 model)

Item No.	Part No	Description	QTY
1	07620310WA	FILTER HOUSING 32.5SQFT >10/01	1
2	0801063357	ELEMENT CPFE 5 MIC 32.5 SQFT	1
3	0112653600	ADAP 3/4 MPT X 1/2 BARB NYLON	2
4	05181432AA	HOSE CLAMP 1/2" SS	4
5	061172143016	SC HEX "A" 1/4 X 1 SS	4
6	061100043000	WASHER FLAT OS 1/4"SS	4
7	10180103CC	GAUGE -30/0/70 BPM.NPT	1
8	0204090300	ADAPTER 3/8 X 1/4 BSP JG QUIK	1
9	0204092070	CONN 3/8" TUBE X 1/4" FNPT	1
10	0204090400	ADAPTER 1/4 X 1/4 BSP JG QUIK	1
11	1404553800	VALVE AIR BLEED 1/4TU X 1/4TU	1
12	3901040100	ADAPTER SPACER RING PVC	2
13	2614018969	O-RING 2-034 ADAPTER SPACER	2



### LOW PRESSURE MANIFOLD

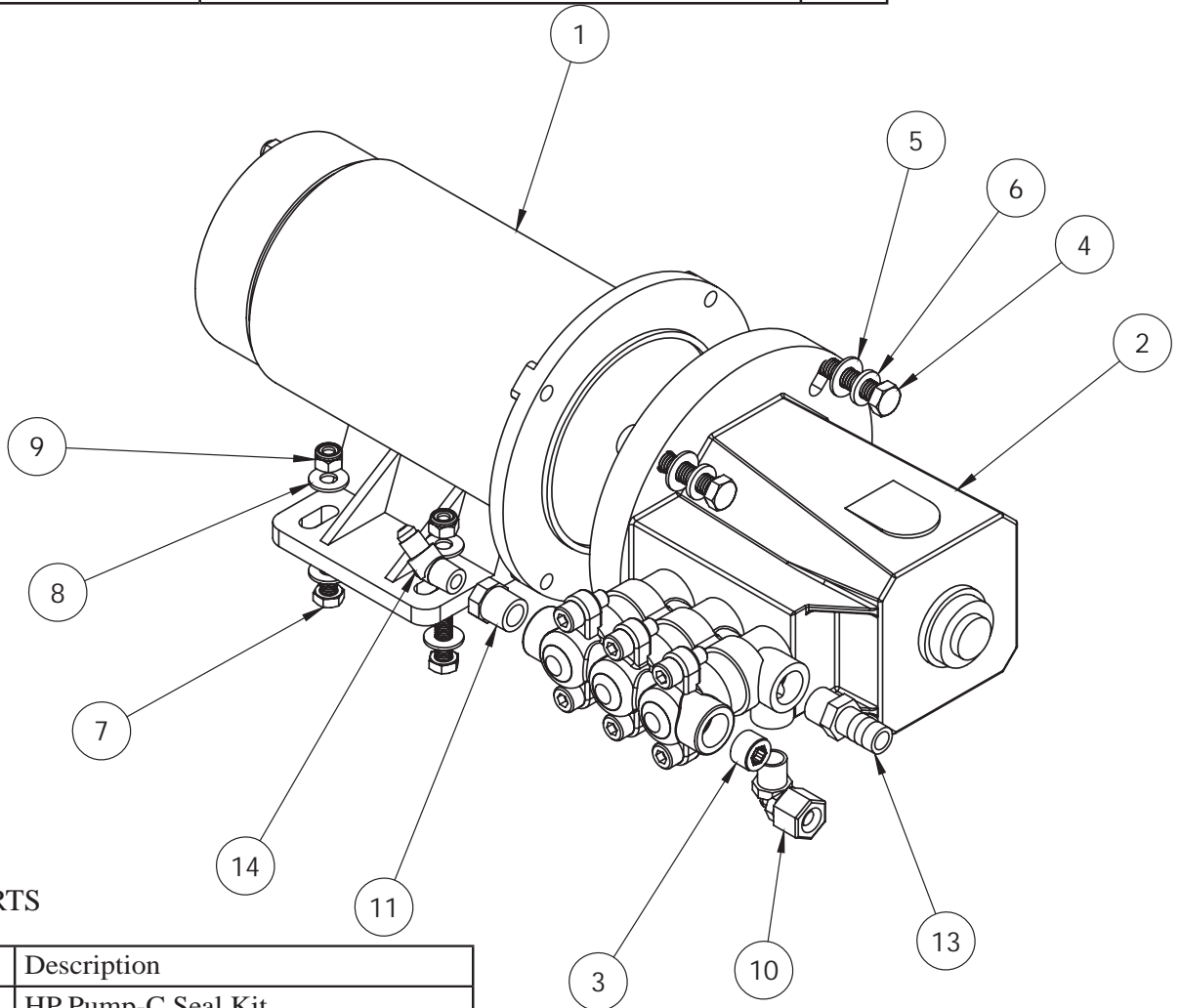
ITEM NO.	QTY.	U/M	PART NUMBER	DESCRIPTION
1 -- 5	1	EACH	B502220002	MANIFOLD LP ASSY 170/350
1	1	EACH	2301020658	SWITCH LOW PRES 6 PSI ORING PO
2	2	FEET	4910210720	WIRE 20 GA 2 COND. BLACK FLEX
2	2	EACH	2614015800	O-RING 011 GAUGE/PRES SWITCH
3	1	EACH	5333220900	MANIFOLD LP AW 170
4	2	EACH	0204090869	CONN 1/4 TUBE X 1/4 MPT PLASTI
5	2	EACH	061161130012	SC PHIL OVAL 10-24 X 3/4 SS

The diagram illustrates the assembly of a low pressure manifold. Part 1 shows the manifold assembly with a pressure switch. Part 2 is a wire. Part 3 is the manifold body. Part 4 shows two plastic connectors. Part 5 shows two stainless steel screws. Arrows point from the numbers to the corresponding parts in the diagram.

# HPP/MOTOR 170 12VDC - B156220012

Item No.	Part No	Description	Qty
1	15093110CF	MOTOR 1/3 HP 12VDC	1
2	1218181422	HP PUMP 0.5 GPM SS CAT	1
3	0117341869	PLUG 3/8 MPT SS	1
4	061142157024	BOLT HEX 3/8-16 X 1 1/2 SS	4
5	061080056000	WASHER FLAT 3/8" SS	4
6	061120056000	WASHER SPLIT LOCK 3/8"SS	4
7	061142150016	BOLT HEX 5/16-18 X 1 SS	4
8	061100049000	WASHER FLAT OS 5/16" SS	8
9	061060050000	NUT HEX 5/16-18 W/INSERT SS	4
10	0204020869	ELB90 1/4 TUBE X 1/4 MPT PLAST	1
11	0117291700	RB .375 MT X .25 FT SS	1
12	1904010043	STRAIN RELIEF 3217 1/2" GREY	1
13	0112651900	ADAP 3/8 MPT X 1/2 BARB NYLON	1
14	1317060800	ELB45 -4 FLARE X .25 MPT SS	1

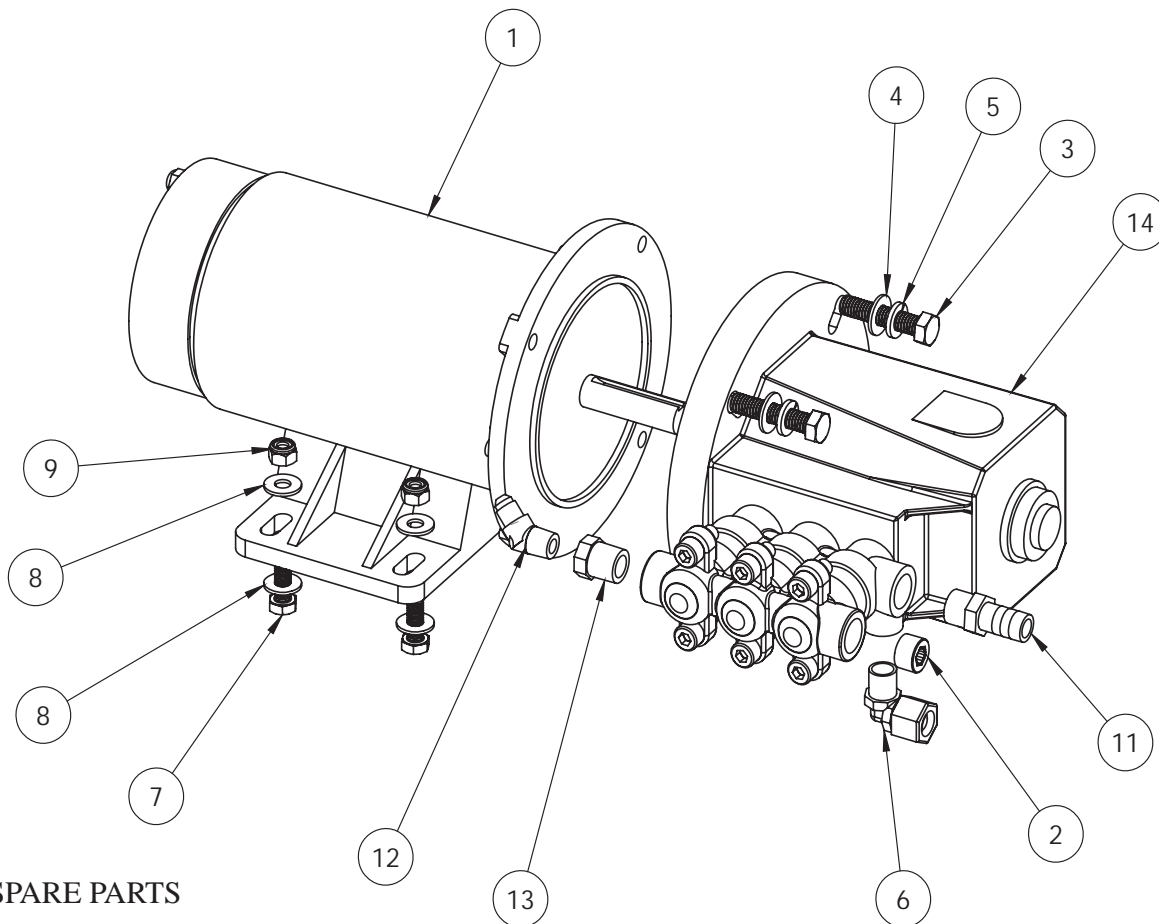


## SPARE PARTS

Part Number	Description
B653220001	HP Pump-C Seal Kit
B654220001	HP Pump-C Inlet Valve Rebuild
B654220002	HP Pump-C Discharge Valve Rebuild

## HPP/MOTOR 170 24VDC - B156220024

Itm No.	Part No	Description	Qty
1	15103210CF	Motor 1/3 HP 24 VDC	1
2	0117341869	PLUG 3/8 MPT SS	1
3	061142157024	BOLT HEX 3/8-16 X 1 1/2 SS	4
4	061080056000	WASHER FLAT 3/8" SS	4
5	061120056000	WASHER SPLIT LOCK 3/8"SS	4
6	0204020869	ELB90 1/4 TUBE X 1/4 MPT PLAST	1
7	061142150016	BOLT HEX 5/16-18 X 1 SS	4
8	061100049000	WASHER FLAT OS 5/16" SS	8
9	061060050000	NUT HEX 5/16-18 W/INSERT SS	4
10	1904010043	STRAIN RELIEF 3217 1/2" GREY	1
11	0112651900	ADAP 3/8 MPT X 1/2 BARB NYLON	1
12	1317060800	ELB45 -4 FLARE X .25 MPT SS	1
13	0117291700	RB .375 MT X .25 FT SS	1
14	1218181422	HP PUMP 0.5 GPM SS CAT	1

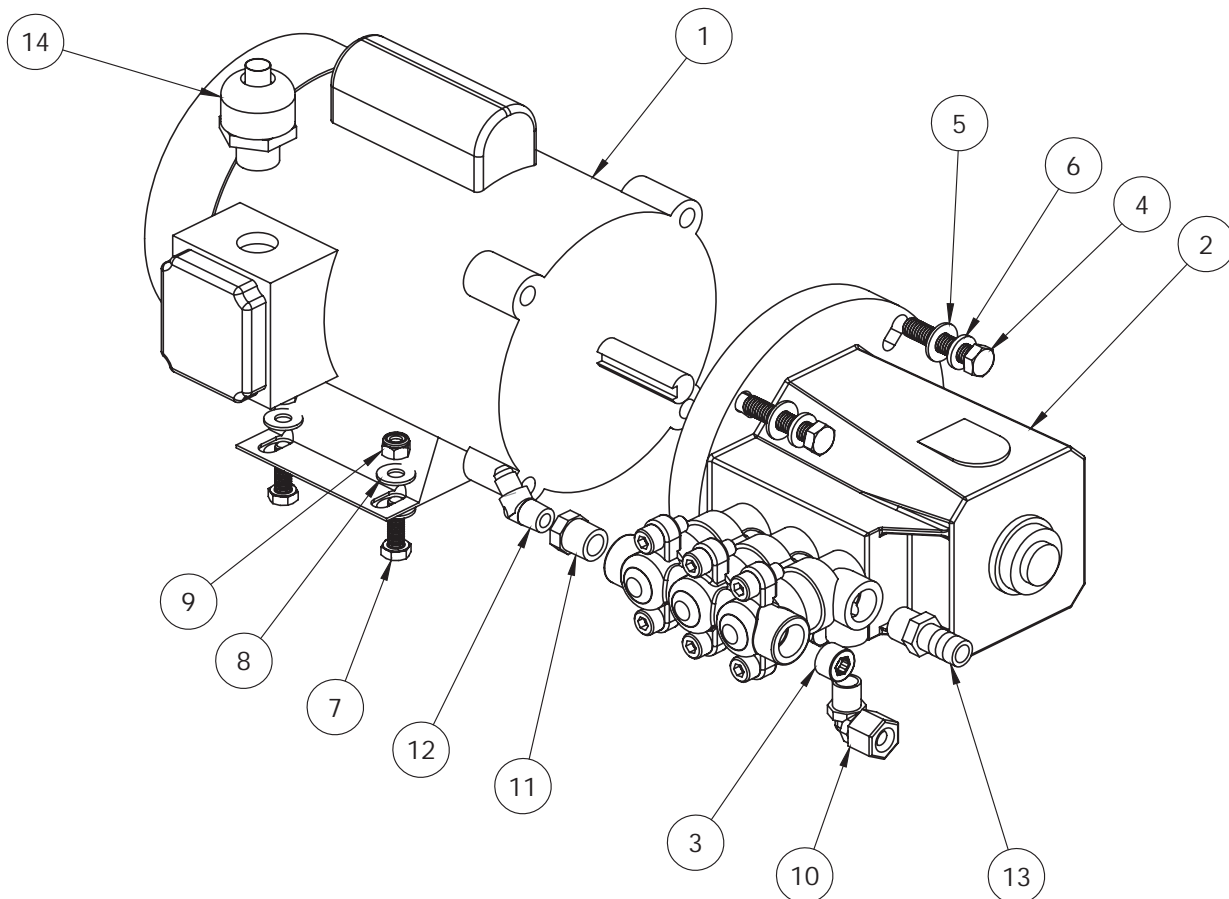


### SPARE PARTS

Part Number	Description
B653220001	HP Pump-C Seal Kit
B654220001	HP Pump-C Inlet Valve Rebuild
B654220002	HP Pump-C Discharge Valve Rebuild

## HPP/MOTOR 170 110/220/56 - B156220110

Item No.	Part No	Description	Qty
1	15AG250912	MOTOR .33HP 50-60-1	1
2	1218181422	HP PUMP 0.5 GPM SS CAT	1
3	0117341869	PLUG 3/8 MPT SS	1
4	061142157024	BOLT HEX 3/8-16 X 1 1/2 SS	4
5	061080056000	WASHER FLAT 3/8" SS	4
6	061120056000	WASHER SPLIT LOCK 3/8"SS	4
7	061142150016	BOLT HEX 5/16-18 X 1 SS	4
8	061100049000	WASHER FLAT OS 5/16" SS	8
9	061060050000	NUT HEX 5/16-18 W/INSERT SS	4
10	0204020869	ELB90 1/4 TUBE X 1/4 MPT PLAST	1
11	0117291700	RB .375 MT X .25 FT SS	1
12	1317060800	ELB45 -4 FLARE X .25 MPT SS	1
13	0112651900	ADAP 3/8 MPT X 1/2 BARB NYLON	1
14	1904010543	STRAIN RELIEF 8400	1

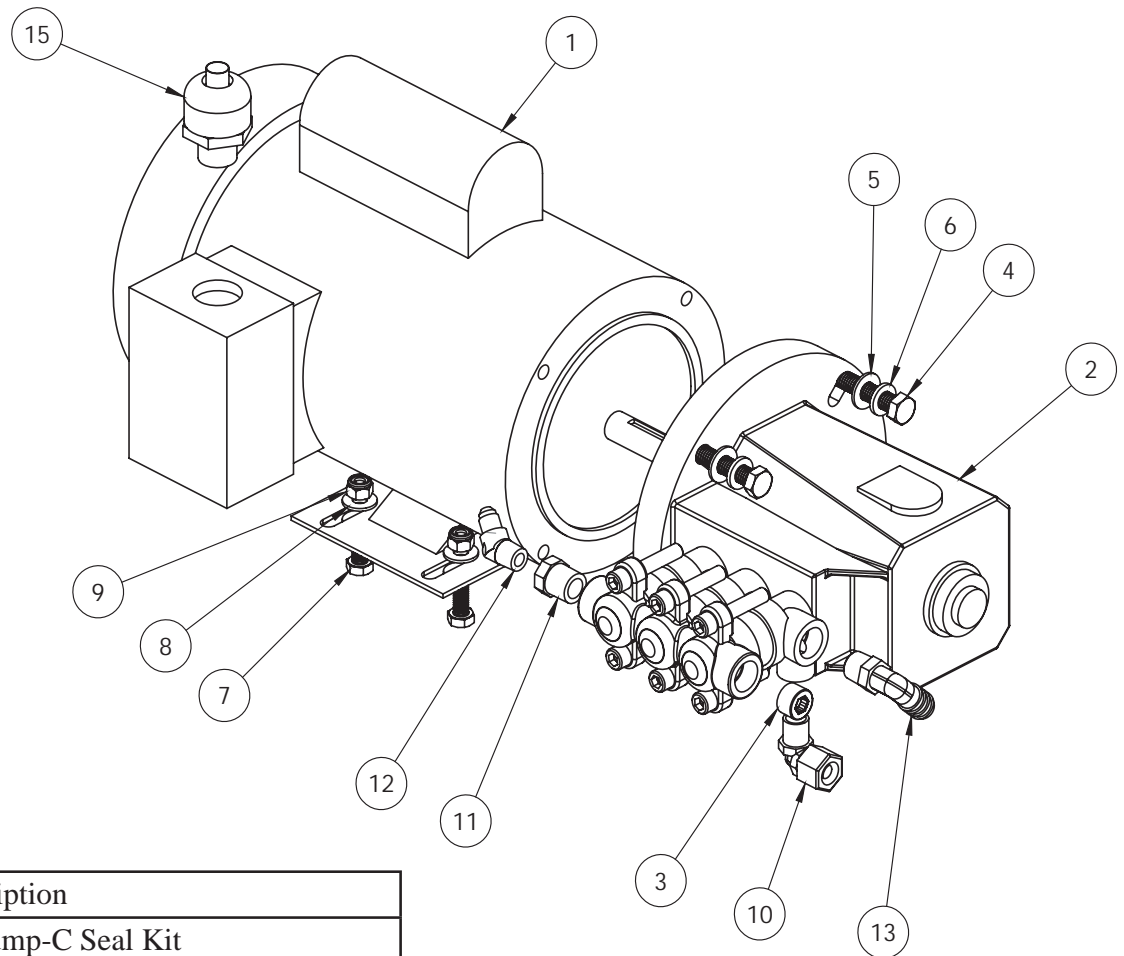


### SPARE PARTS

Part Number	Description
B653220001	HP Pump-C Seal Kit
B654220001	HP Pump-C Inlet Valve Rebuild
B654220002	HP Pump-C Discharge Valve Rebuild

# HPP/MOTOR 350 110/220/60 - B156230001

Item No.	Part No	Description	Qty
1	1535231010	Motor 1 HP 115/220/60	1
2	1218181622	HP PUMP 1.5 GPM SS	1
3	0117341869	PLUG 3/8 MPT SS	1
4	061142157024	BOLT HEX 3/8-16 X 1 1/2 SS	4
5	061080056000	WASHER FLAT 3/8" SS	4
6	061120056000	WASHER SPLIT LOCK 3/8"SS	4
7	061142150016	BOLT HEX 5/16-18 X 1 SS	4
8	061100049000	WASHER FLAT OS 5/16" SS	8
9	061060050000	NUT HEX 5/16-18 W/INSERT SS	4
10	0204020869	ELB90 1/4 TUBE X 1/4 MPT PLAST	1
11	0117291700	RB .375 MT X .25 FT SS	1
12	1317060800	ELB45 -4 FLARE X .25 MPT SS	1
13	0112071900	ELB90 3/8 X 1/2 BARB NYLON	1
14	0112651900	ADAP 3/8 MPT X 1/2 BARB NYLON	1
15	1904010543	STRAIN RELIEF 8400	1
16	1904013543	STRAIN RELIEF 8423	1

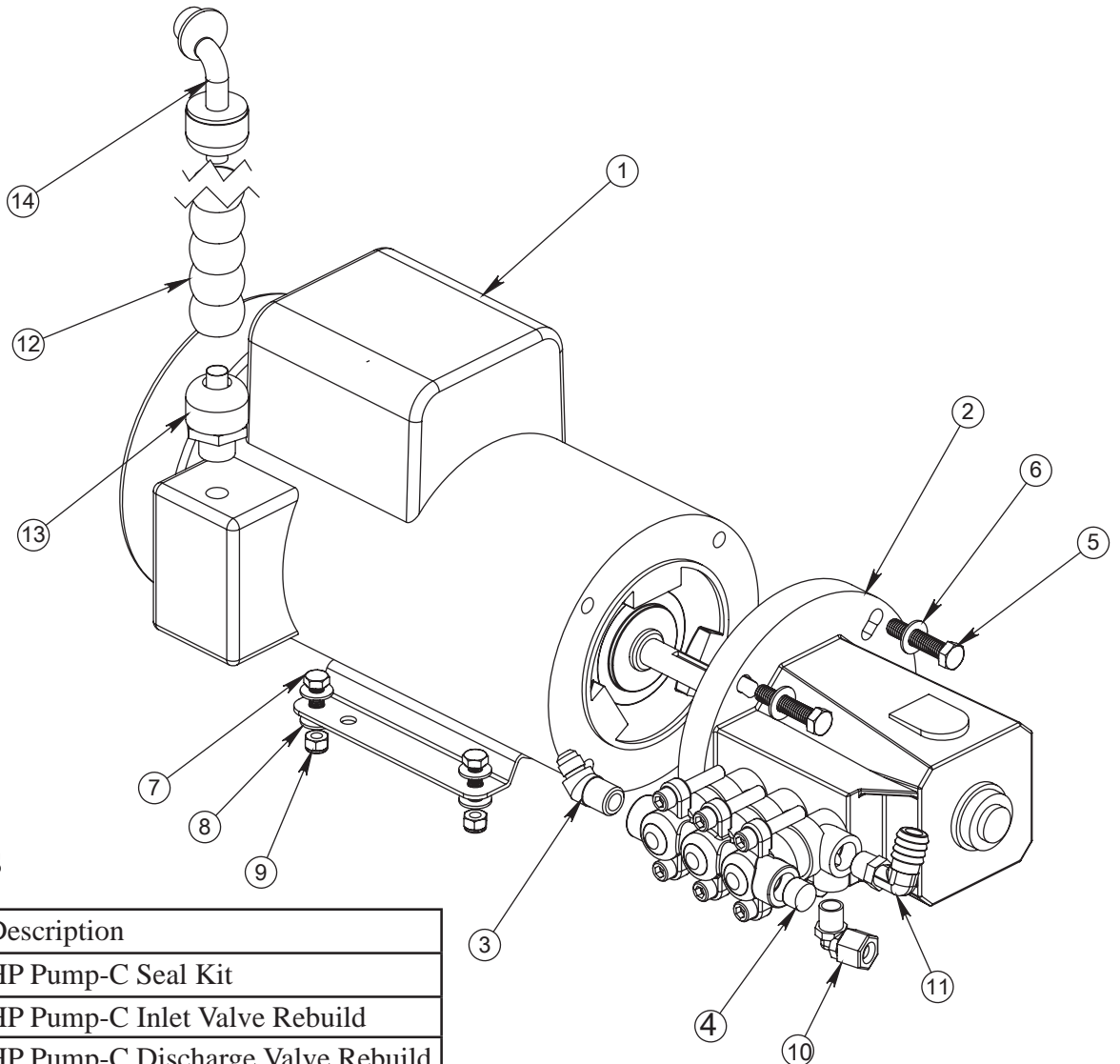


## SPARE PARTS

Part Number	Description
B653220001	HP Pump-C Seal Kit
B654220001	HP Pump-C Inlet Valve Rebuild
B654220002	HP Pump-C Discharge Valve Rebuild

# HPP/MOTOR 550/750 110/220/50/60 - B156230003

Item No.	Part No	Description	Qty
1	15AD062412	MOTOR 2.1 HP 50/60 110/220	1
2	12180522CO	HP PUMP GP 2.85 GPM	1
3	1317061900	ELB45 -6 FLARE X 3/8 MT SS	1
4	0117341869	PLUG 3/8 MPT SS	1
5	061142157024	BOLT HEX 3/8-16 X 1 1/2 SS	4
6	061080056000	WASHER FLAT 3/8" SS	4
7	061142150016	BOLT HEX 5/16-18 X 1 SS	4
8	061100049000	WASHER FLAT OS 5/16" SS	8
9	061060050000	NUT HEX 5/16-18 W/INSERT SS	4
10	0204020869	ELB90 1/4 TUBE X 1/4 MPT PLAST	1
11	0112021800	ELB90 3/8 MPT X 5/8 BARB NYLON	1
12	4928402800	CONDUIT 1/2" (FLEX) BLK	1
13	1904010543	STRAIN RELIEF 8400	1
14	1904013543	STRAIN RELIEF 8423	1



## SPARE PARTS

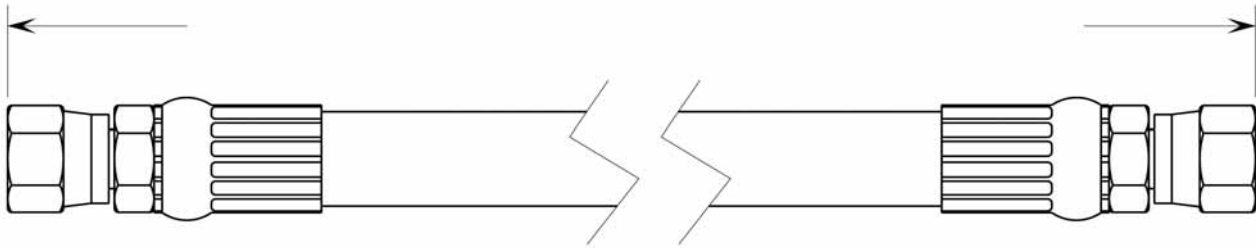
Part Number	Description
B653220001	HP Pump-C Seal Kit
B654220001	HP Pump-C Inlet Valve Rebuild
B654220002	HP Pump-C Discharge Valve Rebuild



HP HOSE ASSEMBLY

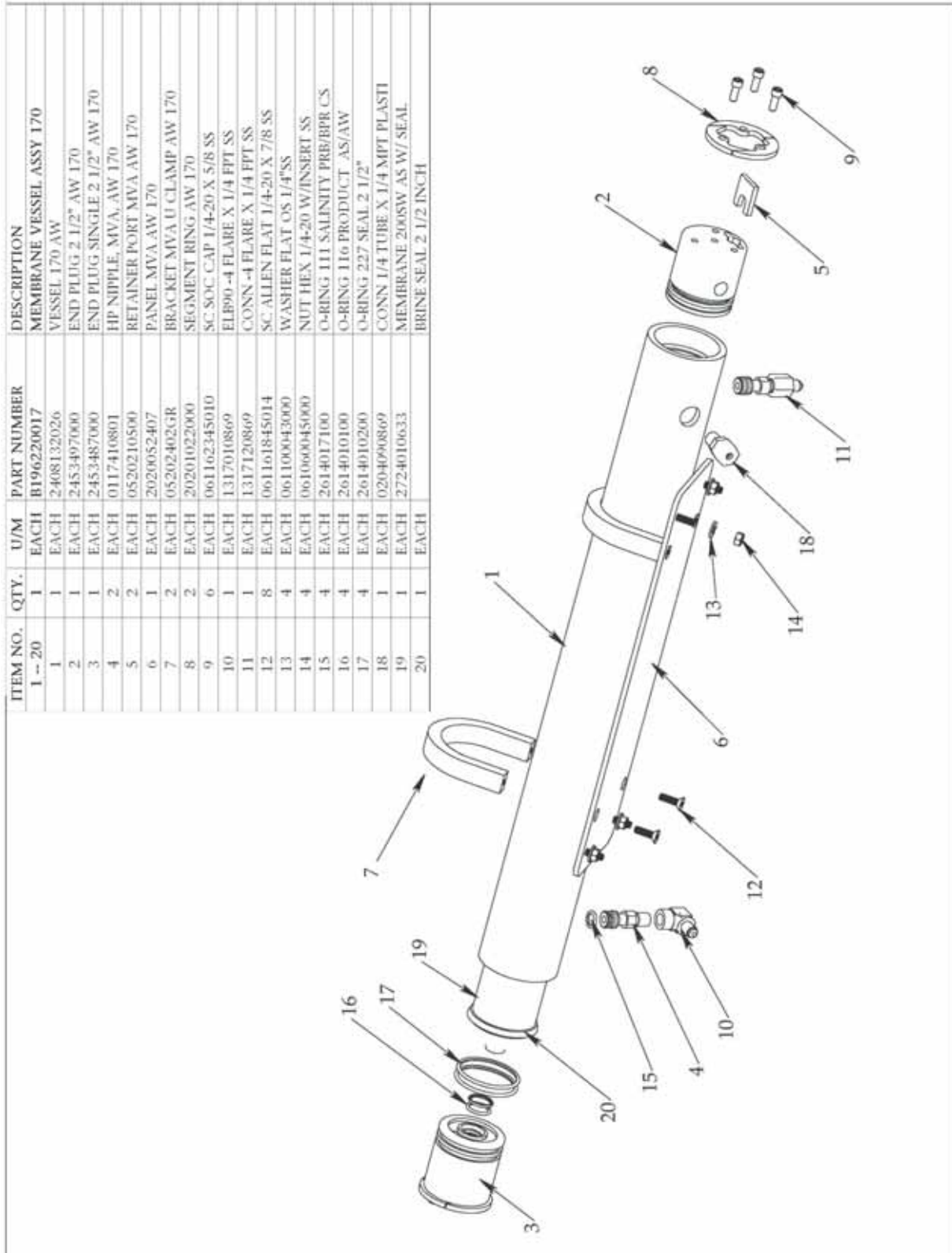
PART NUMBER	DESCRIPTION	QTY
2432160669	HOSE HP - 6P	1
1317481969	SWIVEL FITTING - 6 SSP	2

*SPECIFY PART NUMBER AND DESCRIPTION OF SPECIFIC HIGH PRESSURE HOSE ASSEMBLY  
OR IF A SPECIAL LENGTH IS REQUIRED, SPECIFY MEASURED OVERALL LENGTH: FITTING TO FITTING*



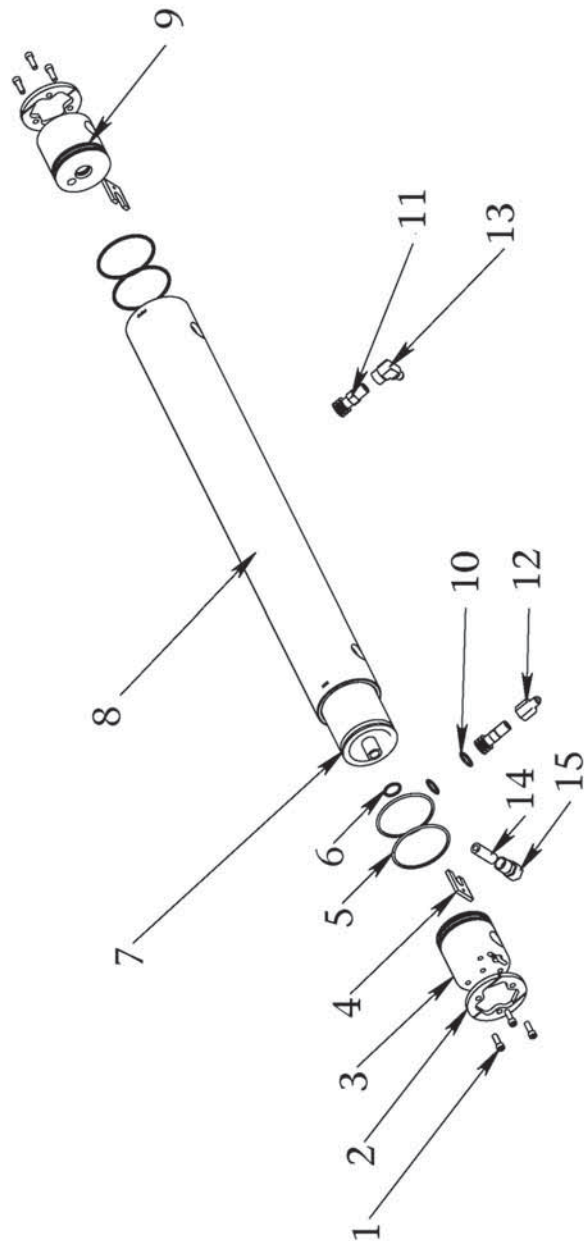
OVERALL LENGTH IS + / - 1/4" (6mm)

**REVERSE OSMOSIS MEMBRANE & VESSEL ASSEMBLY Aqua Mini 170**



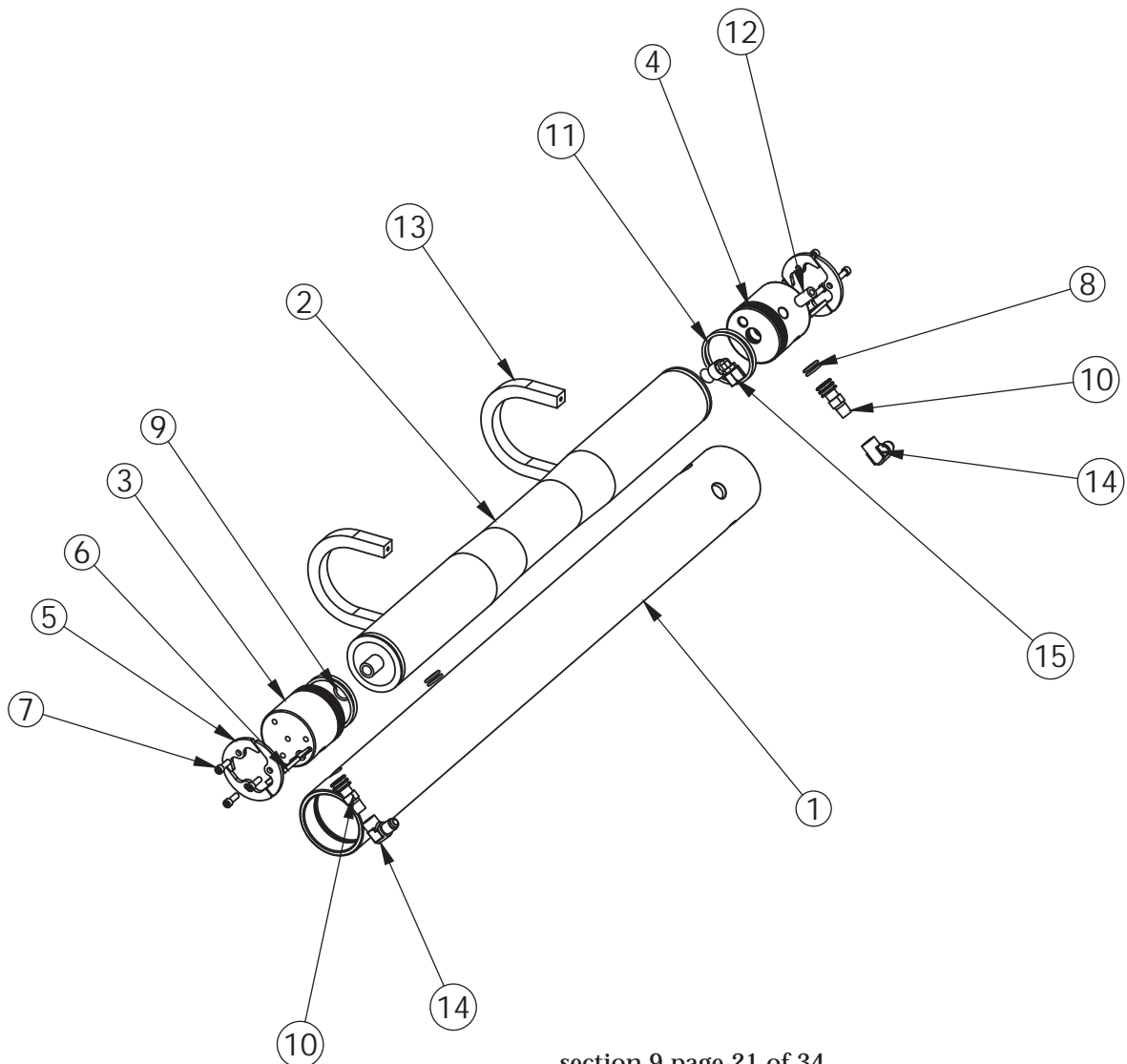
**REVERSE OSMOSIS MEMBRANE & VESSEL ASSEMBLY Aqua Mini 350**

ITEM NO.	QTY.	U/M	PART NUMBER	DESCRIPTION
1--	1	EACH	B196230001	MEMBRANE VESSEL ASSY 350
1	6	EACH	061162345012	SC SOC CAP 1/4-20 X 3/4 SS
2	2	EACH	20201030000	SEGMENT RING AW (SET)
3	1	EACH	2453512400	END PLUG DUAL 3" AW
4	2	EACH	0520210600	RETAINER PORT MVA AW
5	4	EACH	2614014900	O-RING 230 BRINE 3" END PLUG
6	2	EACH	2614010100	O-RING 116 PRODUCT AS/AW
7	1	EACH	2724011233	MEMBRANE 400GPD AW W/ SEAL
8	1	EACH	2408132500	VESSEL HIGH PRESSURE 400GPD AW
9	1	EACH	2453502400	END PLUG SINGLE 3" AW
10	2	EACH	2614017900	O-RING 115 INTERCONNECT AW
11	1	EACH	0117410800	NIPPLE HP MVA AW
12	1	EACH	1317120869	CONN -4 FLARE X 1/4 FPT SS
13	1	EACH	1317010869	ELB90 -4 FLARE X 1/4 FPT SS
14	1	EACH	0101370815	NIPPLE 1/4 NPT X 1 1/2 PVC
15	1	EACH	0204010869	ELB90 1/4 TUBE X 1/4 FPT PLAST



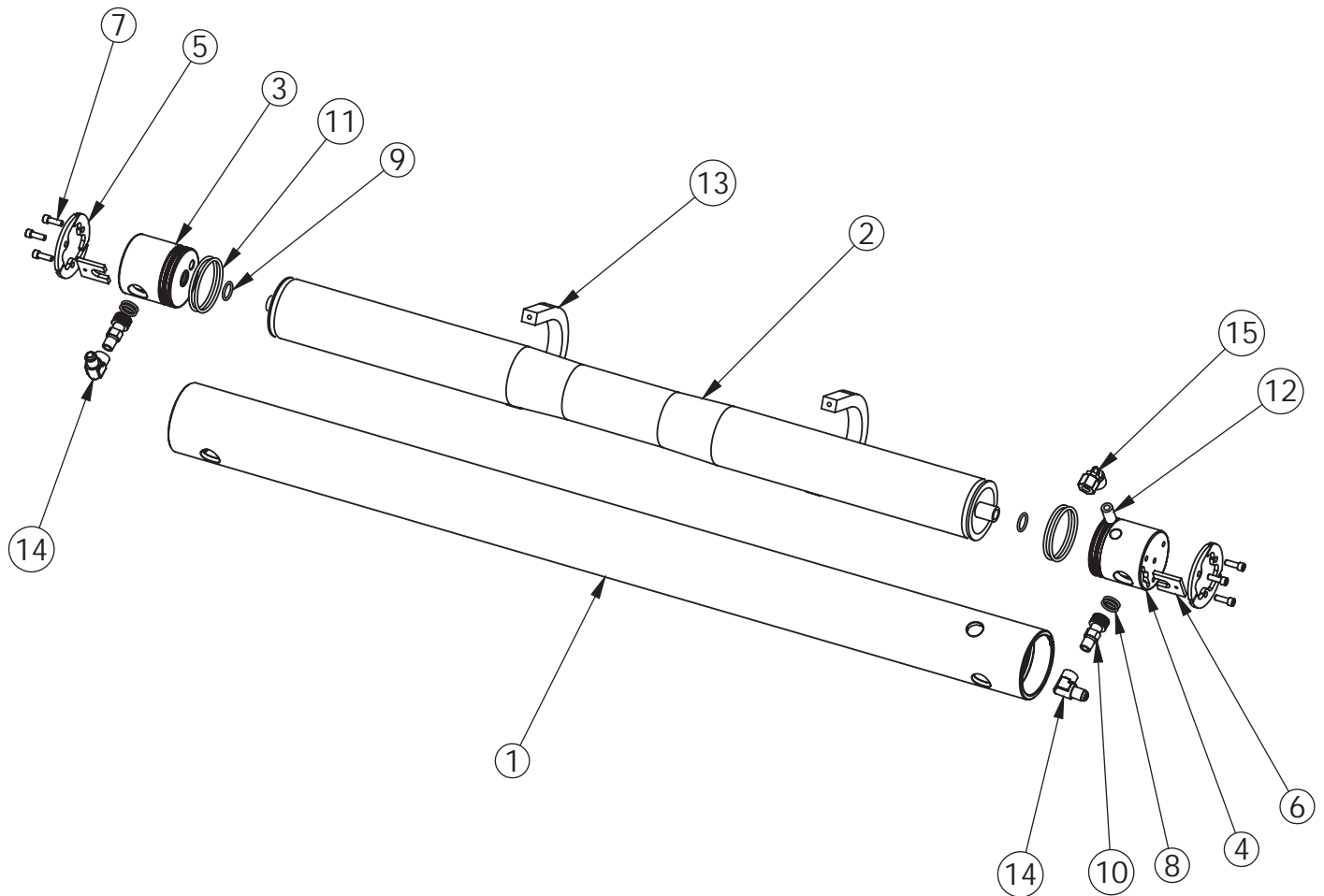
**MEMBRANE RACK ASSY 550-1 - B196230002**

Item No.	Part No	Description	QTY
1	2408132500-01	VESSEL HIGH PRESSURE 700GPD	1
2	2724011333	MEMBRANE 700GPD W-SEAL	1
3	2453502400	END PLUG SINGLE 3 AW	1
4	2453512400	END PLUG DUAL 3" AW	1
5	20201030000	SEGMENT RING AW (SET)	2
6	0520210600	RETAINER PORT MVA AW	2
7	061162345012	SC SOC CAP 1/4-20 X 3/4 SS	6
8	2614017900	O-RING 115 INTERCONNECT AW	4
9	2614010100	O-RING 116 PRODUCT AS/AW	2
10	0117410800	NIPPLE HP MVA AW	2
11	2614014900	O-RING 230 BRINE 3" END PLUG	4
12	0101370815	NIPPLE 1/4 NPT X 1 1/2 PVC	1
13	05202401GR	BRACKET MVA U-CLAMP	2
14	1317011769	ELB90 -6 x1/4 FPTSS 37 DEG FLA	2
15	0204010869	ELB90 1/4 TUBE X 1/4 FPT PLAST	1

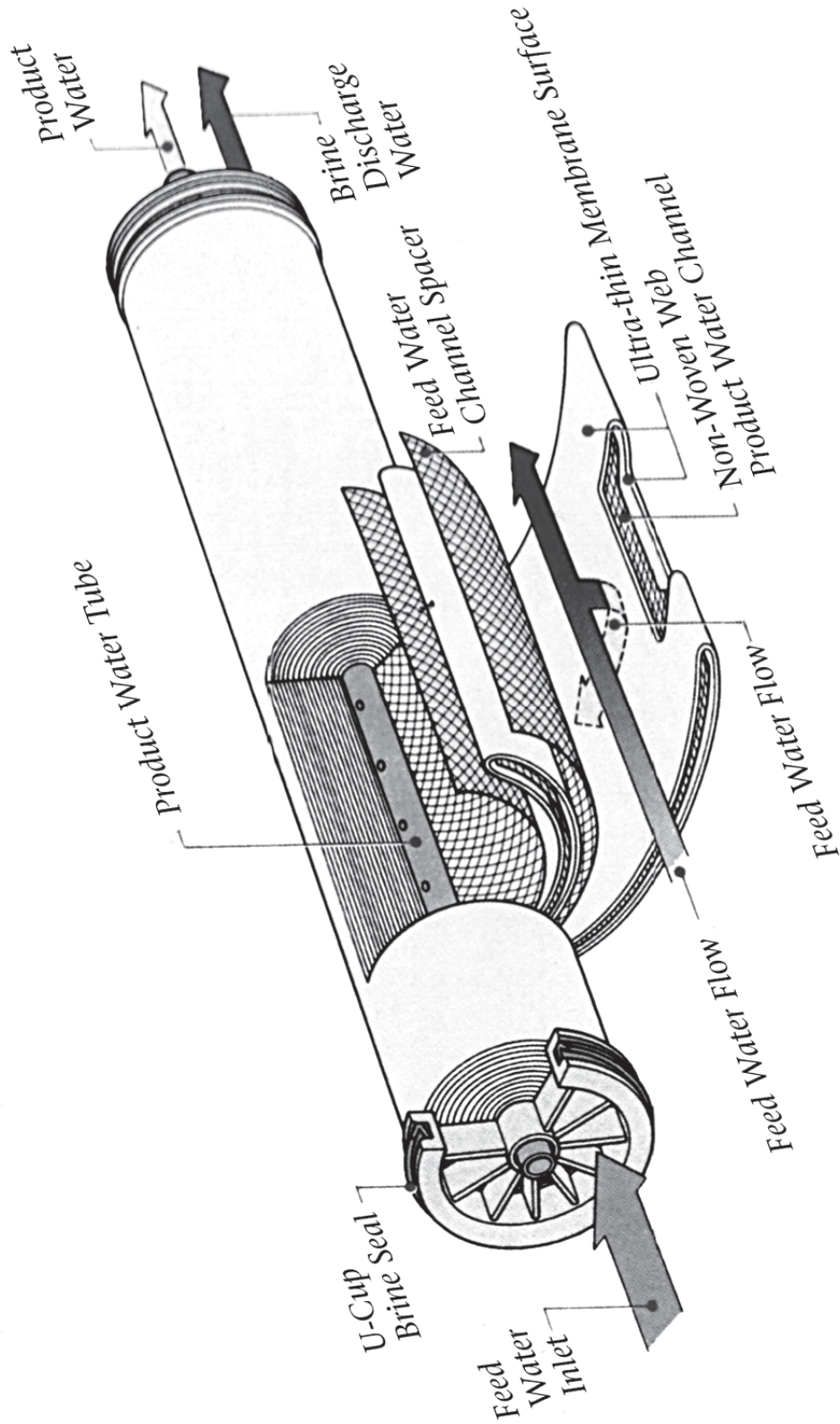


**MEMBRANE RACK ASSY 750-1 - B196230003**

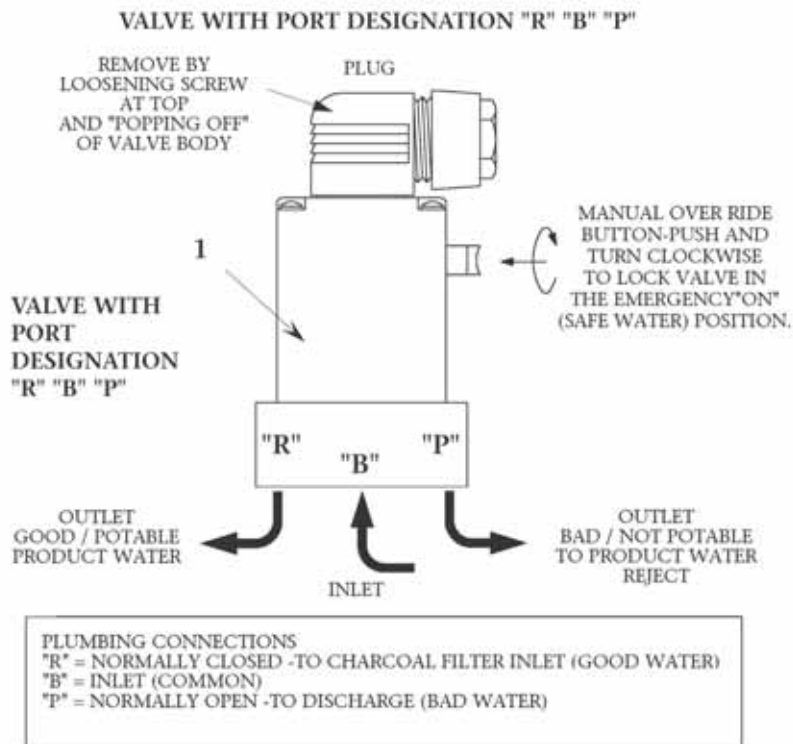
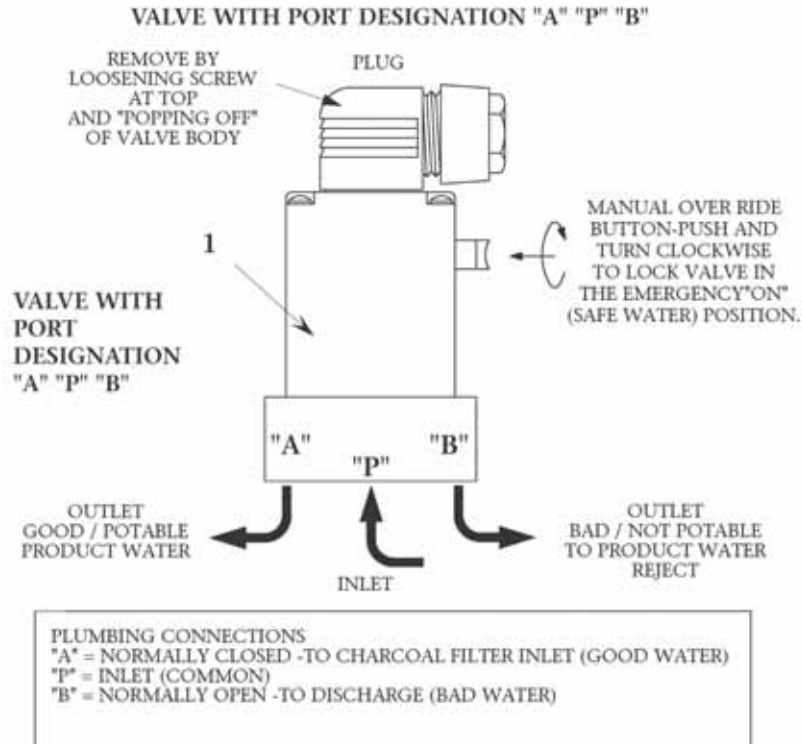
Item No.	Part No	Description	QTY
1	2408132500-02	VESSEL HIGH PRESSURE 900GPD	1
2	2724011433	MEMBRANE 900GPD W/SEAL	1
3	2453502400	END PLUG SINGLE 3 AW	1
4	2453512400	END PLUG DUAL 3" AW	1
5	20201030000	SEGMENT RING AW (SET)	2
6	0520210600	RETAINER PORT MVA AW	2
7	061162345012	SC SOC CAP 1/4-20 X 3/4 SS	6
8	2614017900	O-RING 115 INTERCONNECT AW	4
9	2614010100	O-RING 116 PRODUCT AS/AW	2
10	0117410800	NIPPLE HP MVA AW	2
11	2614014900	O-RING 230 BRINE 3" END PLUG	4
12	0101370815	NIPPLE 1/4 NPT X 1 1/2 PVC	1
13	05202401GR	BRACKET MVA U-CLAMP	2
14	1317011769	ELB90 -6 x1/4 FPTSS 37 DEG FLA	2
15	0204010869	ELB90 1/4 TUBE X 1/4 FPT PLAST	1



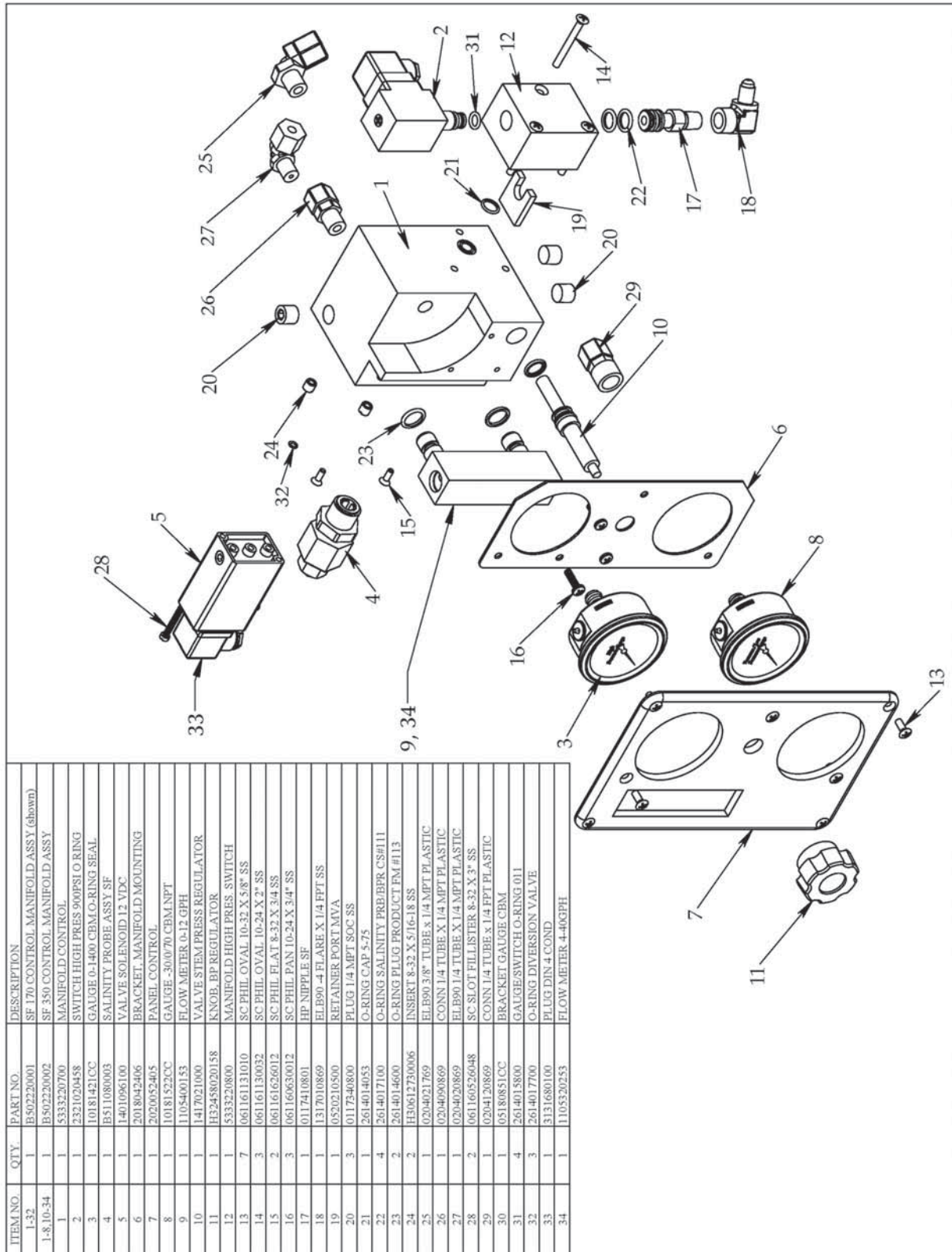
### ANATOMY OF A SPIRAL WOUND REVERSE OSMOSIS MEMBRANE ELEMENT



### 3-WAY PRODUCT WATER DIVERSION SOLENOID VALVE PORT DESIGNATION & DESCRIPTION (WATER FLOW)



## CONTROL MANIFOLD

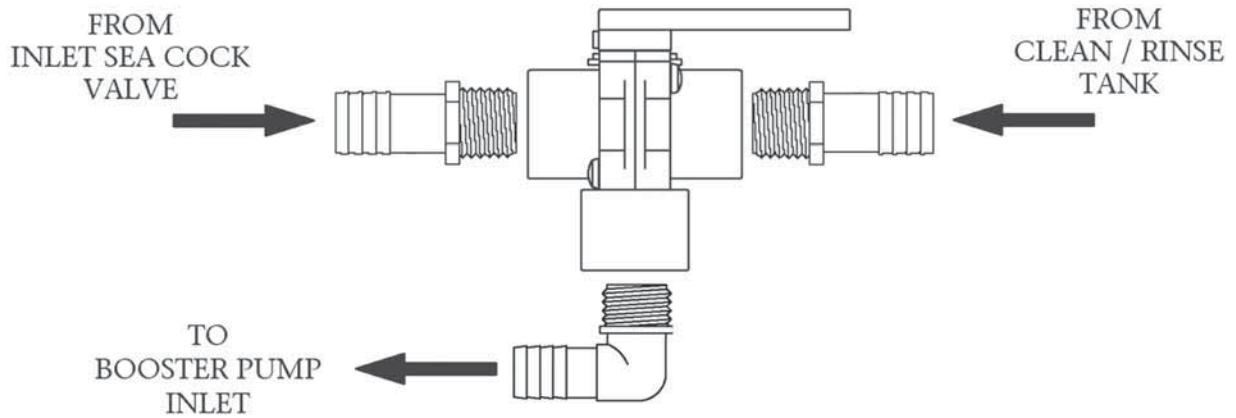


ITEM NO.	QTY.	PART NO.	DESCRIPTION
1-32	1	B502220001	SF 170 CONTROL MANIFOLD ASSY (shawn)
1-8,10-34	1	B502220002	SF 350 CONTROL MANIFOLD ASSY
	1	5333220700	MANIFOLD CONTROL
2	1	2321020458	SWITCH HIGH PRES 900PSI O RING
3	1	10181421CC	GAUGE 0-1400 CBM/O-RING SEAL
4	1	B511080003	SALINITY PROBE ASSY SF
5	1	1401096100	VALVE SOLENOID 12 VDC
6	1	2018042406	BRACKET MANIFOLD MOUNTING
7	1	2020052405	PANEL CONTROL
8	1	10181522CC	GAUGE -30/0/70 CBM/NPT
9	1	1105400153	FLOW METER 0-12 GPH
10	1	1417021000	VALVE STEM PRESS REGULATOR
11	1	H32458020158	KNOB, BP REGULATOR
12	1	5333220800	MANIFOLD HIGH PRES. SWITCH
13	7	061161131010	SC PHIL. OVAL 10-32 X 5/8" SS
14	3	061161130032	SC PHIL. OVAL 10-24 X 2" SS
15	2	061161626012	SC PHIL. FLAT 8-32 X 3/4 SS
16	3	061160630012	SC PHIL. PAN 10-24 X 3/4" SS
17	1	01117410801	HP NIPPLE SF
18	1	1317010869	ELB90 -4 FLARE X 1/4 FPT SS
19	1	0520210500	RETAINER PORT MVA
20	3	0117540800	PLUG 1/4 MPT SOC SSA
21	1	2614014053	O-RING CAP 5-75
22	4	2614017100	O-RING SALINITY PRB/BPR CS#11
23	2	2614014600	O-RING PLUG PRODUCT FM #13
24	2	H30612730006	INSERT 8-32 X 5/16-18 SS
25	1	0204021769	ELB90 3/8" TUBE X 1/4 MPT PLASTIC
26	1	0204040869	CONN 1/4 TUBE X 1/4 MPT PLASTIC
27	1	0204020869	ELB90 1/4 TUBE X 1/4 MPT PLASTIC
28	2	061160526048	SC SLOT FILLISTER 8-32 X 3" SS
29	1	0204120869	CONN 1/4 TUBE X 1/4 FPT PLASTIC
30	1	05180851CC	BRACKET GAUGE CBM
31	4	2614015800	GAUGE/SWITCH O-RING 011
32	3	2614017700	O-RING DIVERSION VALVE
33	1	3131680100	PLUG DIN 4 CONID
34	1	1105320253	FLOW METER 4-40GPH



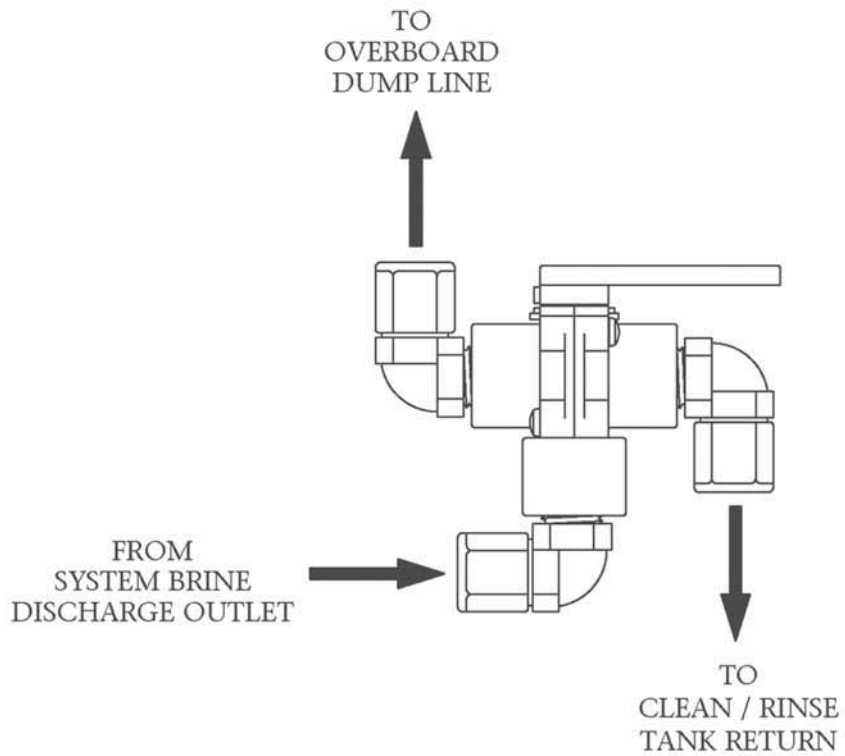
**CLEAN / RINSE INLET VALVE**

Clean/Rinse Inlet Valve



**CLEAN / RINSE OUTLET VALVE**

Clean/Rinse Outlet Valve

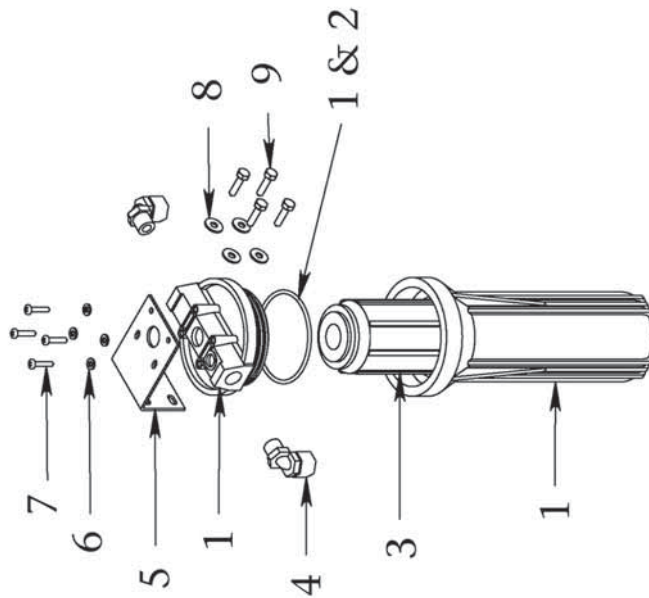


**PRODUCT WATER POST FILTRATION CHARCOAL FILTER**

ITEM NO.	QTY.	U/M	PART NUMBER	DESCRIPTION
1 -- 8	1	EACH	B521220002	CHARCOAL FILTER ASSY 170/350
1	1	EACH	0713020573	FILTER HOUSING/LID 3/8 X 10
1 & 2	1	EACH	2614010473	O-RING 237 BLUE HOUSING
3	1	EACH	0803004773	ELEMENT CHARCOAL 10"
4	2	EACH	0204020969	ELB90 1/4 TUBE X 3/8 MPT PLAST
5	1	EACH	20200402100	BRACKET PREFILTER/CHRCL/PLNKTN
6	4	EACH	061170628016	SC PHIL PAN "A" 10 X 1 SS
7	4	EACH	061170628020	SC PHIL PAN "A" 10 X 1 1/4 SS
8	8	EACH	065080028000	WASHER FLAT #10 NYLON

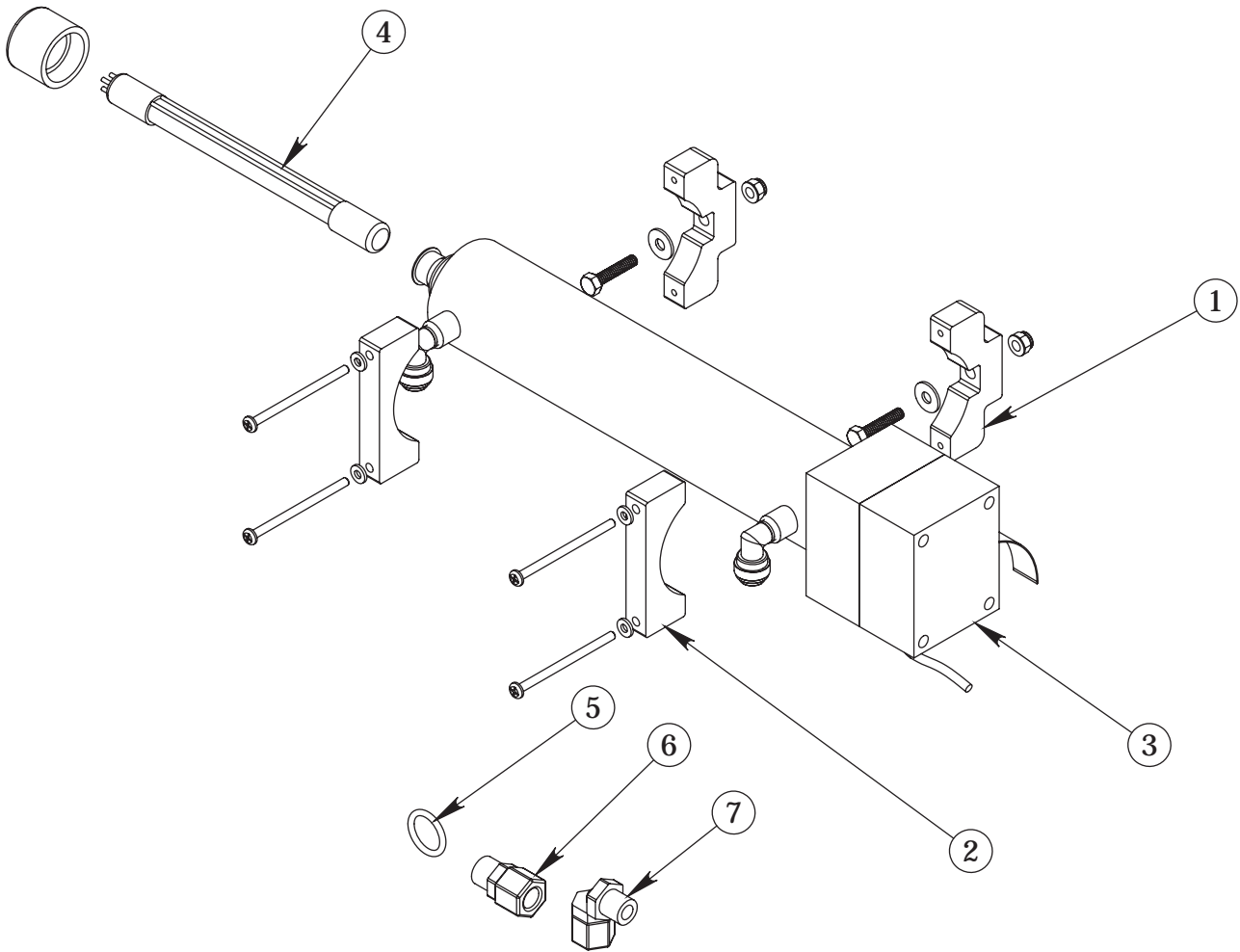
### PRODUCT WATER pH NEUTRALIZER

ITEM NO.	QTY.	U/M	PART NUMBER	DESCRIPTION
1 -- 9	1	EACH	B561080002	PH NEUTRALIZER ASSY 0.5 GPM
1	1	EACH	0713020573	FILTER HOUSING/LID 3/8 X 10
1 & 2	1	EACH	2614010473	O-RING 237 BLUE HOUSING
3	1	EACH	08251950AS	ELEMENT PH 9 3/4"
4	2	EACH	0204020969	ELB90 1/4 TUBE X 3/8 MPT PLAST
5	1	EACH	20200402100	BRACKET PREFILTER/CHRCL/PLNKTN
6	4	EACH	065080028000	WASHER FLAT #10 NYLON
7	4	EACH	061170628016	SC PHIL PAN "A" 10 X 1 SS
8	4	EACH	061100043000	WASHER FLAT OS 1/4"SS
9	4	EACH	061172143016	SC HEX "A" 1/4 X 1 SS



B5262000CV UV STERILIZER 12VDC 2GPM

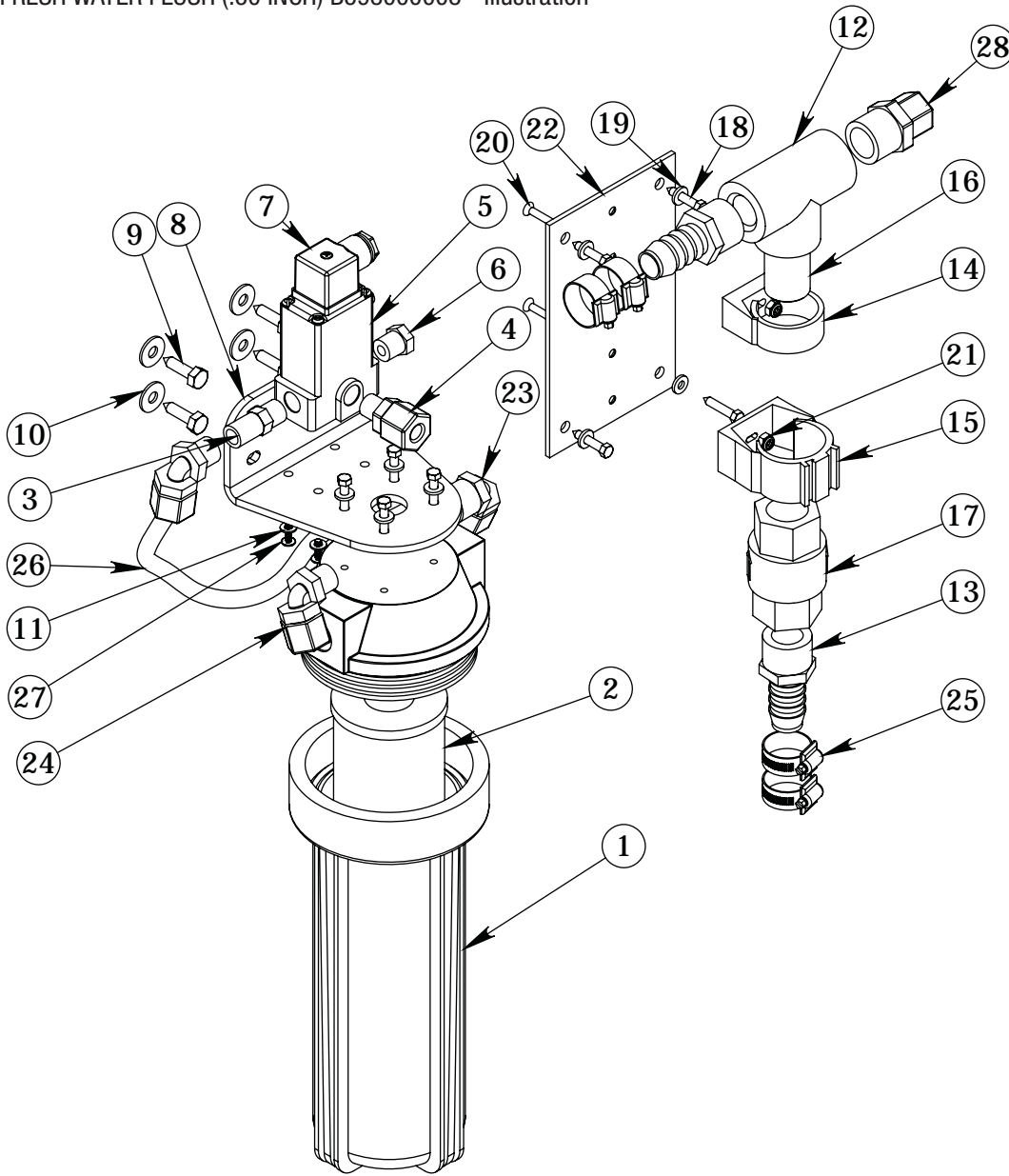
ITEM NO.	MANUAL ASSY DRAWING/QTY.	PART NUMBER	DESCRIPTION
1	2	20010418002A	VALVE BRACKET CLEAN/RINSE KIT
2	2	20010418001A	BRACKET MNT SADDLE UV-AW TOP
3	1	40000306CV	UV STERILIZER 2 GPM 12VDC
4	1	40000100CV	UV LAMP 2 GPM
5	1	2614019000	O-RING 212 QUARTZ SLEEVE
6	1	0204091869	CONN 3/8 TUBE X 3/8 MPT PLASTIC
7	1	0204021769	ELB90 3/8 TUBE X 1/4 MPT PLASTIC



## FRESH WATER FLUSH (.50 INCH) - B598000008

ITEM	PART NUMBER	DESCRIPTION	U/M	QTY
1	0713020873	FILTER HOUSING 1/2" X 10	EACH	1
2	0803004773	CHARCOAL FILTER 10 IN	EACH	1
3	14172105AT	VALVE CHECK .25 MNPT SS	EACH	1
4	0204091769	CONN 3/8 TUBE X 1/4 MPT PLASTIC	EACH	1
5	1401095998	VALVE SOLENOID 12VDC AED/CSFE	EACH	1
6	0101340883	PLUG 1/4 MPT PVC	EACH	1
7	3131680298	PLUG CONNECTOR DIN 3-PIN	EACH	1
8	20200402102	SINGLE FILTER BRACKET	EACH	1
9	061172143016	SC HEX "A" 1/4 X 1.0 SS	EACH	4
10	061100043000	WASHER FLAT OS 1/4"SS	EACH	4
11	065080023000	WASHER FLAT #8 NYLON	EACH	4
12	0101423783	TEE .75 FNPT x .75 FNPT x .75 FNPT PVC	EACH	1
13	0101653783	ADAP 3/4 MPT X 3/4 BARB PVC	EACH	2
14	0501164200	PIPE SUPPORT 1 1/8" #36	EACH	1
15	0501164500	PIPE SUPPORT 1 1/4"	EACH	1
16	01013737CL	NIPPLE .75 NPT X CLOSE PVC	EACH	1
17	14012118AR	VALVE CHECK .75 FNPT WITH VITO	EACH	1
18	061170628016	SC PHIL PAN "A" 10 X 1 SS	EACH	8
19	065080028000	WASHER FLAT #10 NYLON	EACH	8
20	061161626012	SC PHIL FLAT 8-32 X 3/4 SS	EACH	2
21	061060026000	NUT HEX 8-32 W/INSERT SS	EACH	2
22	2020040002	BRACKET CHECK VALVE FWF	EACH	1
23	0204021969	ELB90 3/8 TUBE X 1/2 MPT PLAST	EACH	1
24	0204011769	ELB90 .375 TUBE x .25 FNPT PLASTIC	EACH	2
25	05181432AA	HOSE CLAMP 1/2" SS	EACH	4
26	0312123569	TUBE .375 BLACK	FEET	15
27	061170623008	SC PHIL PAN "B" #8 X 1/2" SS	EACH	4
28	0204092069	CONN 3/8 TUBE X 3/4 MPT PLASTIC	EACH	1

FRESH WATER FLUSH (.50 INCH) B598000008 - Illustration



FRESH WATER FLUSH (.50 INCH) B598000008 - Illustration

