

Chapter 11

Exploded Parts Views

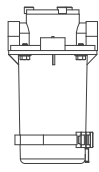
Exploded Parts View

Contents

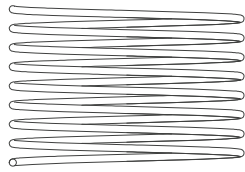
B001300001	INSTALLATION KIT AQMXL.....	3
B006600002	SEA STRAINER ASSY -8.....	5
B016510001	BOOSTER PUMP-MOTOR.....	6
B008800002	PLANKTON FILTER ASSY AW DOUBLE.....	7
B109120001	COMMERCIAL PREFILTER ASSY 32.5 SQ FT SRC AQM.....	9
B111120001	OIL/WATER SEPARATOR ASSY SRC 32.5 SQ FT.....	10
B156300008	HP GP-PUMP MOTOR 5.55GPM 5HP 220V 60Hz 1PH ASSY.....	11
B156300005	HP GP-PUMP MOTOR 5.55GPM 5HP 230-460V 60Hz 3PH ASSY.....	13
B156300005M	HP GP-PUMP MOTOR 5.55GPM 5HP 230-460V 60Hz 3PH ASSY.....	15
B156300006	HP GP PUMP MTR 7.6 GPM 5HP 190-460V 50-60Hz 3PH ASSY.....	17
B156300006M	HP GP PUMP MTR 7.6 GPM 5HP 190-460V 50-60Hz 3PH ASSY.....	19
B196300021	MEMBRANE VESSEL ASSY 2200GPD AQMXL.....	21
B196300037	MEMBRANE VESSEL ASSY 2600GPD AQMXL.....	22
B196300028	MEMBRANE VESSEL ASSY 2800GPD AQMXL.....	23
B196300036	MEMBRANE VESSEL ASSY 3400GPD AQMXL.....	24
B476160004	BPR CONNECTION AQMXL ASSY.....	25
B516300004	PLUMBING CONNECTION ASSY AQMXL.....	26
B502160002	MANIFOLD LP ASSY AQMC AQWDX.....	27
B114150001	POSTFILTER DUAL AQMXL.....	28
B591120001	CLEAN AND RINSE KIT.....	30
B598000009	FRESH WATER FLUSH 10 IN HOUSING.....	31
B114140001	PH NEUTRALIZER / CHARCOAL DUAL AQMC II / MOD.....	33
B595160001	SR AQUAMATIC II CONTROLLER.....	34
B610140004	NMEA 2000 ENABLED.....	35
B610140008	REMOTE KIT DISPLAY 80FT STD AQMII.....	36

B001300001 INSTALLATION KIT AQMXL

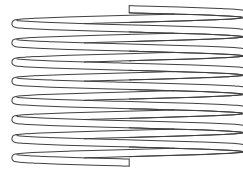
ITEM NO.	QTY.	PART NUMBER	DESCRIPTION
1	1	0421056739	SEA STRAINER ASSY .75 BRONZE 755 SERIES
2	15 ft.	0312121969	TUBE 1/4 BLK NYL
3	20 ft.	0312123569	TUBE 3/8 BLK NYL
4	75 ft.	0312124269	TUBE 1/2 BLK NYL NO SUBST
5	50 ft.	0328027600	HOSE SPIRAL 1" PVC FLEX
6	1	2020040002	BRACKET CHECK VALVE FWF
7	1	14012118AR	VALVE CHECK 3/4FPT W/VITO
8	2	0101074383	ELB90 0.75 MPT x 1.00 BARB
9	1	01122934DG	RB 3/4MPTX1/4FNPT NYL
10	1	01123737DG	NIP 3/4NPTX3/4NPT NYL
11	1	01124237DG	TEE 3/4FPTXFPTXFPT NYL
12	2	0101653883	ADAPTER 0.75 MPT x 1.00 BARB
13	1	0204092069	CONN 3/4MPTX3/8TU PLASTIC
14	1	0204092669	CONN 3/4MPTX1/2TU PLASTIC
15	1	0204741870	TEE 1/4TUGJX1/4TUGJX1/4FPT
16	1	0501164200	SUPPORT PIPE 1-1/8 (#36)
17	1	0501164500	PIPE SUPPORT 1.25
18	16	05181434AA	CLAMP HOSE 3/4 316SS
19	2	061060026000	NUT HEX 8-32 W/INSERT SS
20	5	061080028000	WASHER FLAT #10 SS
21	16	061100043000	WASHER FLAT OS 1/4 SS
22	2	061161626012	SC PHIL FLAT #8-32X3/4L
23	5	061170628016	SC PHIL PAN "A" #10X1"L 3
24	16	061172143016	SC HEX "A" 1/4X1"L 316SS
25	1	B647800003	KIT OIL PMP 16 oz
26	1	B6513100001	OWNERS MANUAL AQUA MATIC XL



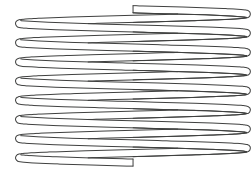
1



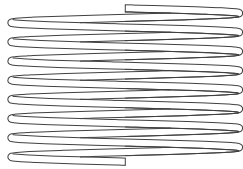
2



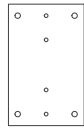
3



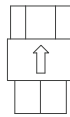
4



5



6



7



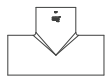
8



9



10



11



12



13



14



15



16



17



18



19



20



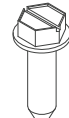
21



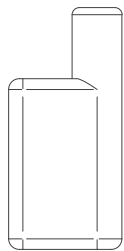
22



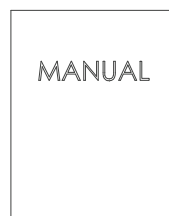
23



24



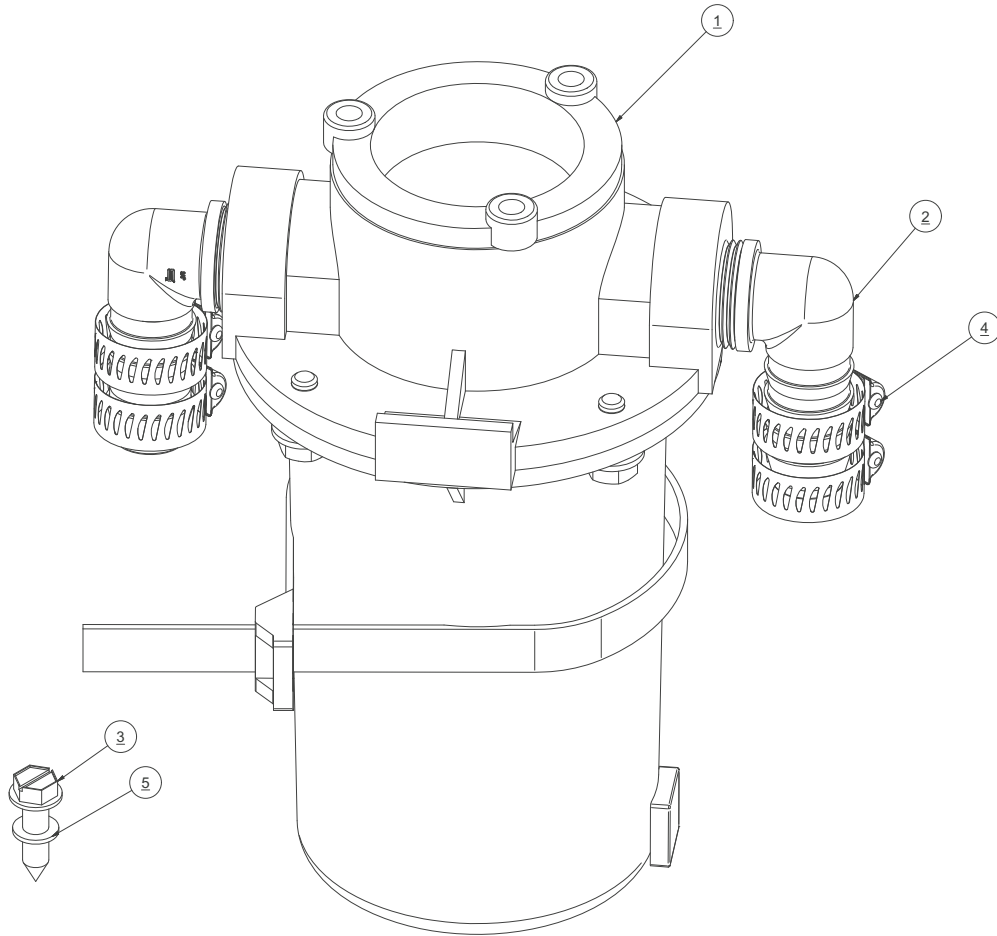
25



26

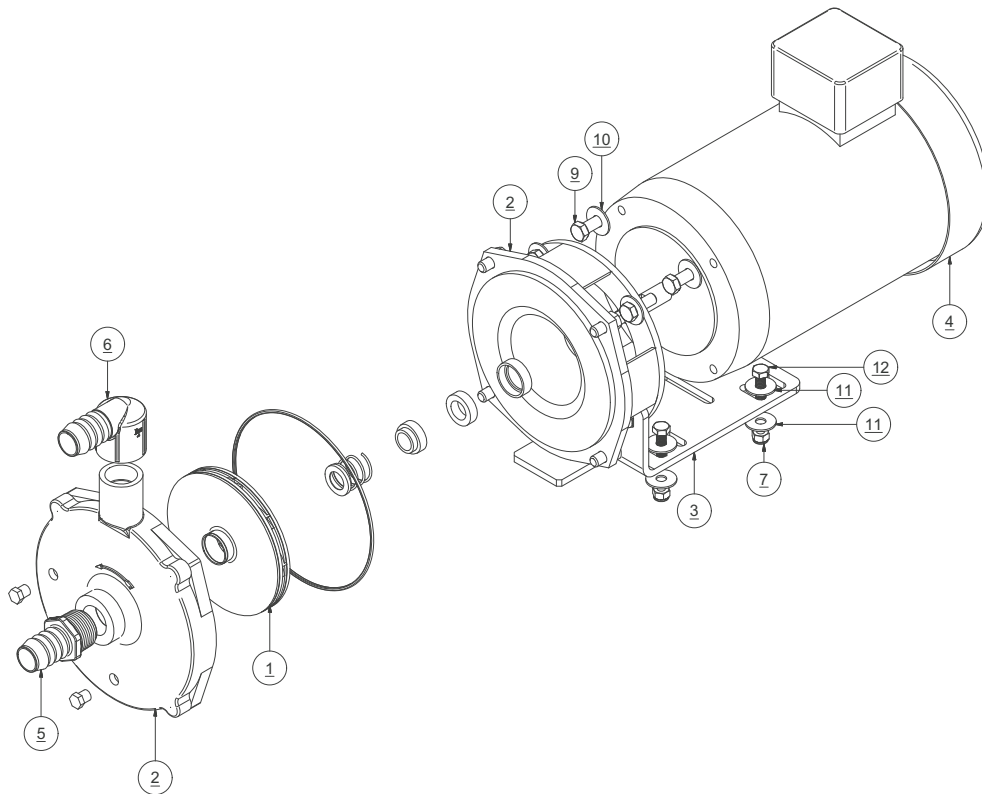
B006600002 SEA STRAINER ASSY -8

ITEM NO.	QTY.	PART NUMBER	DESCRIPTION
1	1	0421056739	SEA STRAINER ASSY .75 BRONZE 755 SERIES
2	2	0101073783	ELB90 0.75 MPT x BARB
3	1	061172143016	SCREX,HEX A, .25x1.00,SS
4	4	05181434AA	CLAMP,HOSE,SS,3/4"
5	1	061080028000	WASHER FLAT #10 SS



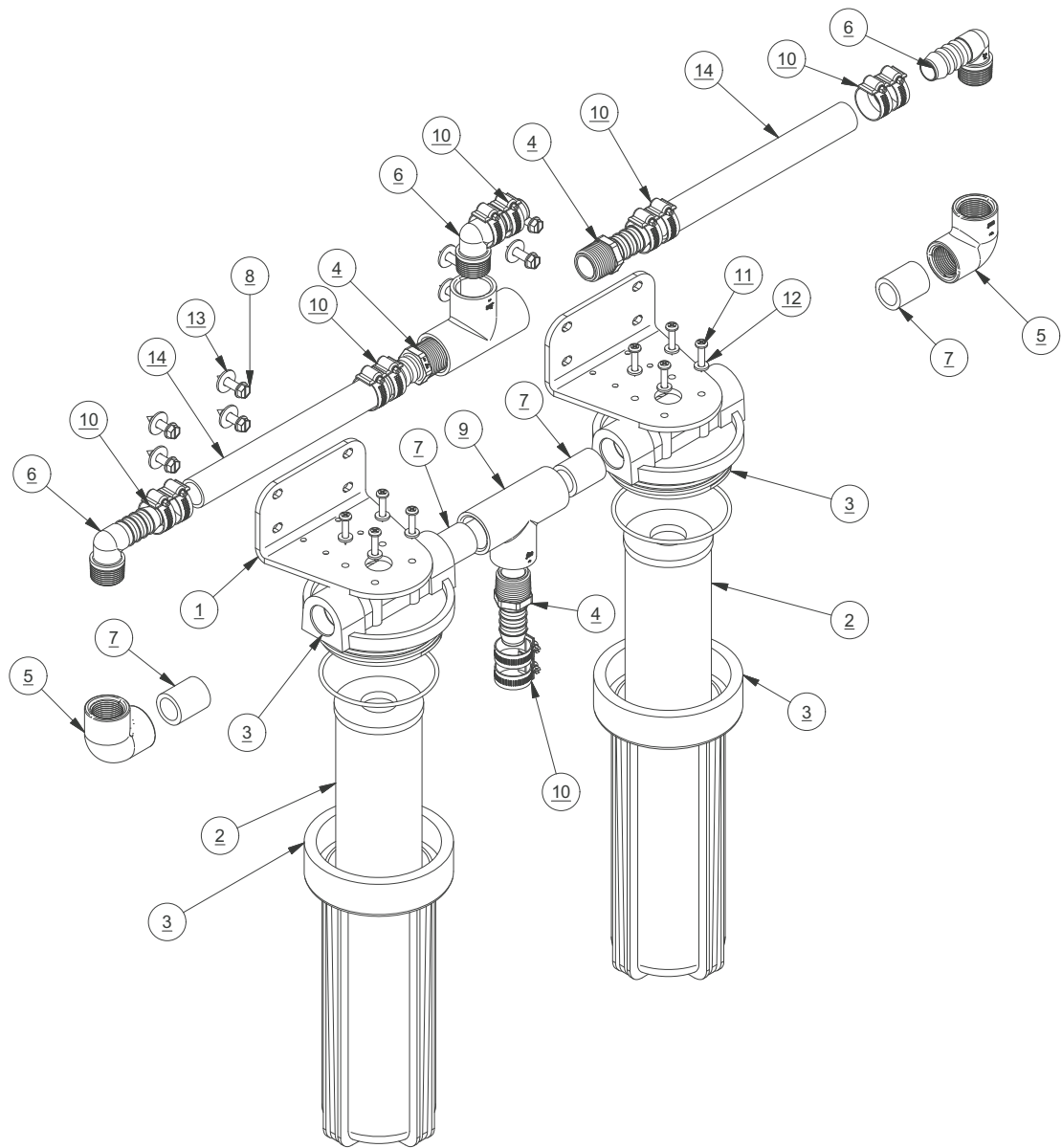
B016510001 BOOSTER PUMP-MOTOR

ITEM NO.	QTY.	PART NUMBER	DESCRIPTION
1	1	29170355072	IMPELLER 5.50 316 SS HP75
2	1	1217514772	BOOSTER PUMP HEAD HP75 SS
3	1	1221514722-3	BRACKET,MTG,PUMP,BOOSTER
4	1	1544182210	MOTOR,2HP,460-60-3,1.5HP,380-50-3
5	1	0101654483	ADAPTER 1.00 MPT x BARB
6	1	0101064483	ELB90 1.00 FPT x BARB
7	4	061060050000	NUT HEX .31-18 W-INSERT SS
9	2	061142157016	SCREW,HEX HEAD,3/8-16x1",SS
10	2	061100056000	WASHER,FLAT,OS,3/8",SS
11	8	061100049000	WASHER,FLAT,OS,5/16",SS
12	4	061142150020	BOLT HEX .31-18 X 1.25 SS



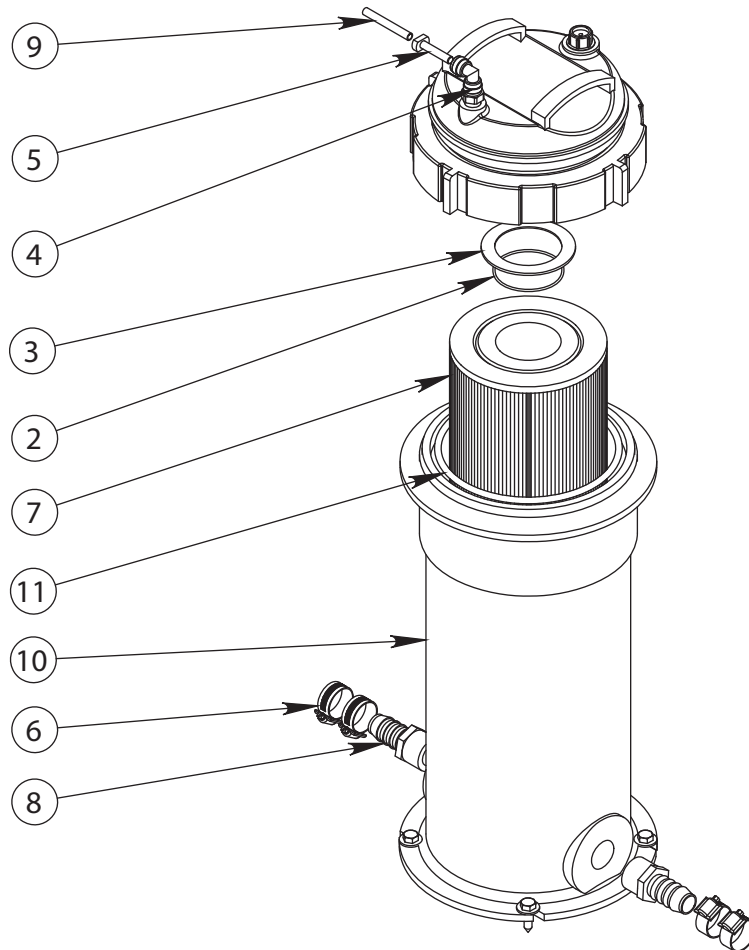
B008800002 PLANKTON FILTER ASSY AW DOUBLE

ITEM NO.	QTY.	PART NUMBER	DESCRIPTION
1	2	20200402102	BRACKET SINGLE FILTER
2	2	0805823578	ELEMENT PLANKTON
3	2	0713020473	FILTER HOUSING .75 X 10
4	3	0101653783	ADAPTER 0.75 MPT x BARB
5	2	0101013783	ELB90 0.75 FPT x FPT
6	3	0101073783	ELB90 0.75 MPT x BARB
7	4	01013737CL	NIPPLE 0.75 NPT x CL
8	8	061172143016	SCREX,HEX A,.25x1.00,SS
9	2	0101423783	TEE 0.75 FT x FT x FT
10	12	05181434AA	HOSE CLAMP .75 SS
11	8	061170628016	SC PHIL PAN A #10 X 1 SS
12	8	065080028000	WASHER FLAT #10 NYLON
13	8	061100043000	WASHER,FLAT,OS,1/4",SS
14	2	0328066666	HOSE CLEAR BRAID .75



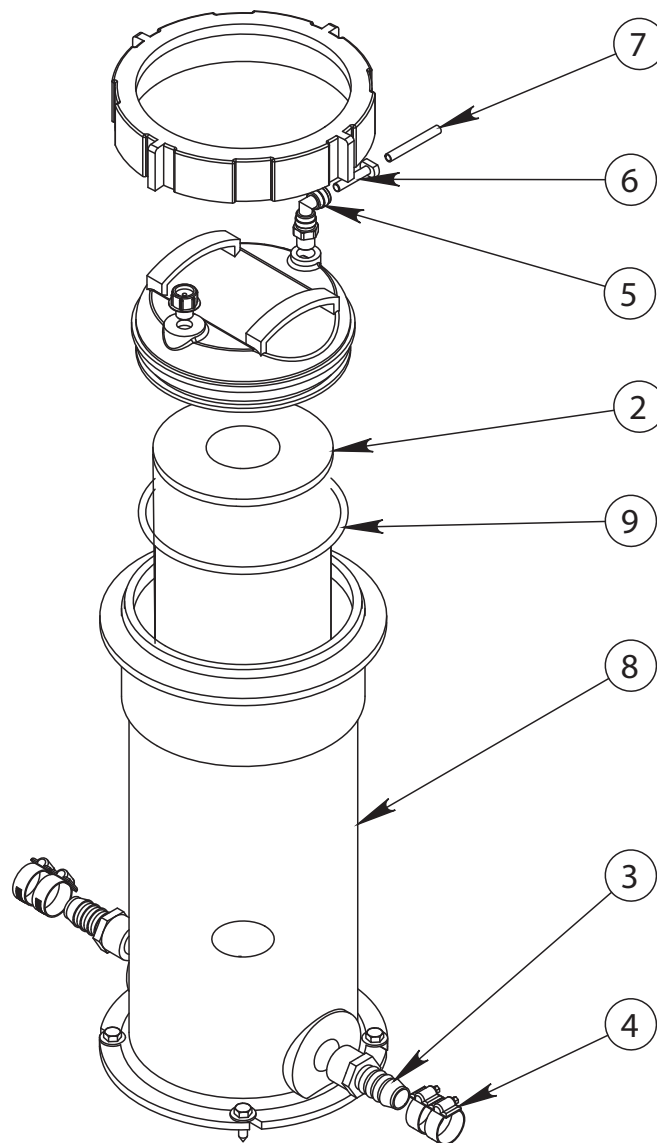
B109120001 COMMERCIAL PREFILTER ASSY 32.5 SQ FT SRC AQM

ITEM NO.	QTY	PART NUMBER	DESCRIPTION
1	1	B109120001	COMMERCIAL PREFILTER ASSY 32.5 SQ FT (INCLUDES P/N 2-11)
2	2	2614018969	O-RING 034 FOR COMMERCIAL FILTER
3	2	3901040100	ADAPTER SPACER RING
4	1	0204020100	ELB90 .25 TUBE JQ x .25MNPT
5	1	0204990300	PLUG 1/4 JQ
6	4	05181434AA	HOSE CLAMP 3/4" SS
7	1	0801063357	ELEMENT CPFE 5 MIC 32.5 SQFT
8	2	0101653783	ADAP 3/4 MPT X 3/4 BARB PVC
9	15 FT.	0312121969	TUBE .25 BLK SEMI-RIGID NYLON
10	1	07620310WA	FILTER HOUSING 32.5SQFT >10/01
11	1	07620310WA-06	O-RING LID CPF/OWS 32.5SQFT



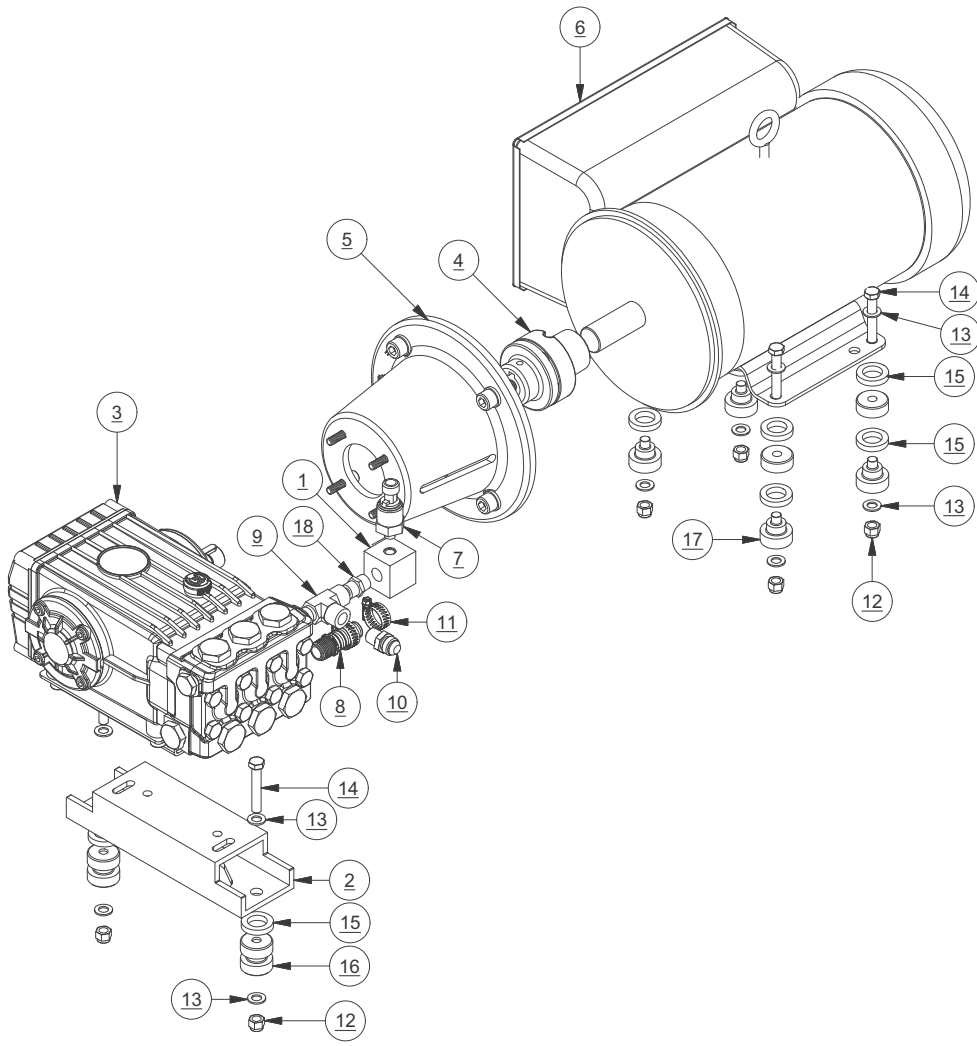
B111120001 OIL/WATER SEPARATOR ASSY SRC 32.5 SQ FT

ITEM NO.	QTY	PART NUMBER	DESCRIPTION
1	1	B111120001	OIL / WATER SEPARATOR ASSY SRC 32.5 SQ FT (INCLUDES P/N 2-9)
2	1	08020723KD	ELEMENT OWSE 32.5 SQFT
3	2	0101653783	ADAP 3/4 MPT X 3/4 BARB PVC
4	3	05181434AA	HOSE CLAMP 3/4" SS
5	1	0204020100	ELB90 .25 TUBE JQ x .25MNPT
6	1	0204990300	PLUG 1/4 JQ
7	1	0312121969	TUBE .25 BLK SEMI-RIGID NYLON
8	1	07620310WA	FILTER HOUSING 32.5SQFT >10/01
9	1	07620310WA-06	O-RING LID CPF/OWS 32.5SQFT



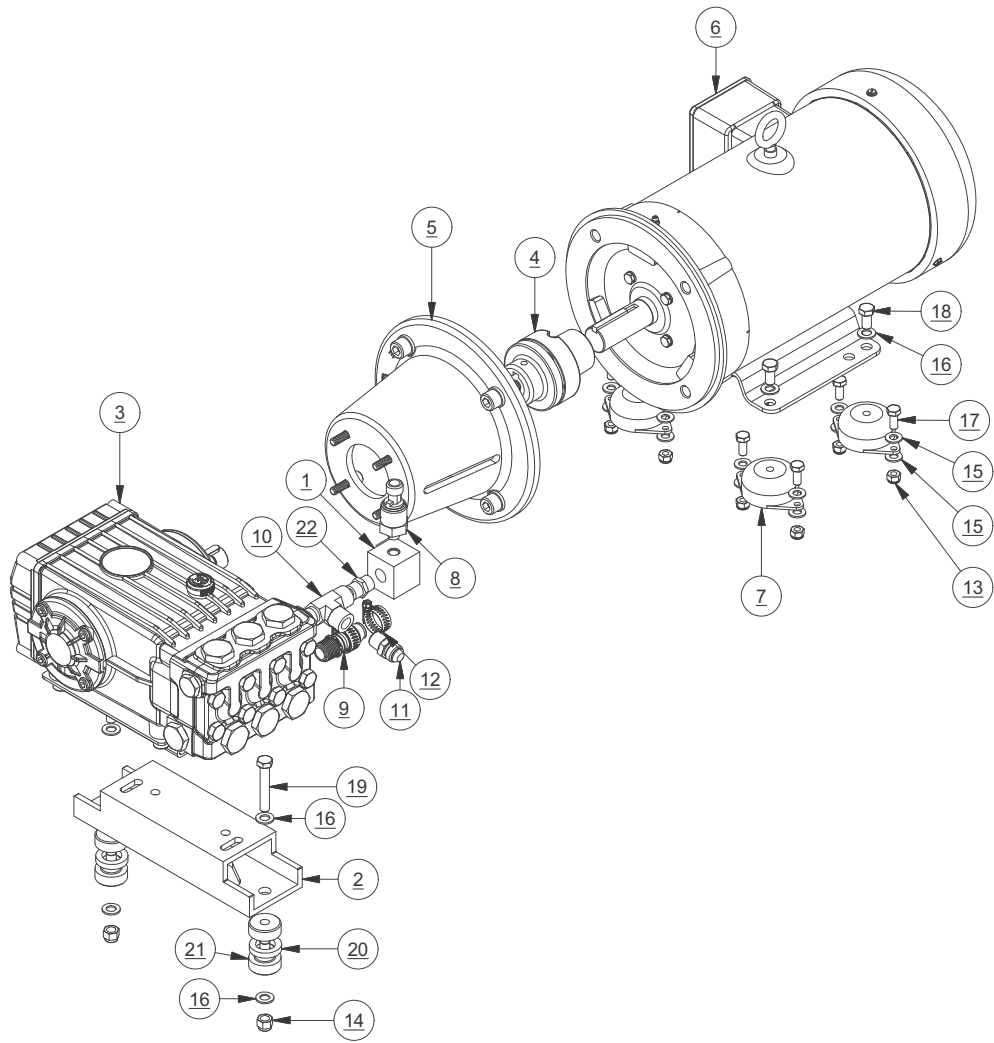
B156300008 HP GP-PUMP MOTOR 5.55GPM 5HP 220V 60Hz 1PH ASSY

ITEM NO.	QTY.	PART NUMBER	DESCRIPTION
1	1	5353140903	MANIF HP TRANSDUCER AQM
2	1	110120033	MTG, PUMP, 5.5-8.0 GPM, AQMXL
3	1	12170500CO	PUMP,5.55GPM,1750-1450RPM,RALS-IN
4	1	12207603CO	COUPLER,24mm x 1.125in
5	1	1220770104	BELL HSG,5HP
6	1	1566213310	MOTOR,5HP,220V,60Hz,1PH
7	1	2317100300	TRANSDUCER 0-2000 PSI .437 SAE
8	1	0101652683	ADAPTER 0.5 MPT x 0.75 BARB
9	1	01174918PH	TEE RUN 0.38 MT x 0.38 FT x 0.38 FT SS316
10	1	1317092569	CONN -8 FLARE x 0.38 MT SS
11	2	05181434AA	CLAMP,HOSE,SS,3/4"
12	6	061060057000	NUT,HEX, .38-16 W-INSERT SS
13	12	061080056000	WASHER,FLAT,3/8",SS
14	6	061120056000	SCREW,HEX HEAD,3/8-16x2 1/4",SS
15	10	2020043902	SPACER MOTOR MOUNT AQM II
16	2	2115031020	MOUNT,RUBBER,40LB
17	4	2115031700	RUBBER MOTOR MOUNT 90LB AQM
18	1	01173818CL	NIP HEX .375 NPT X CLOSE SS



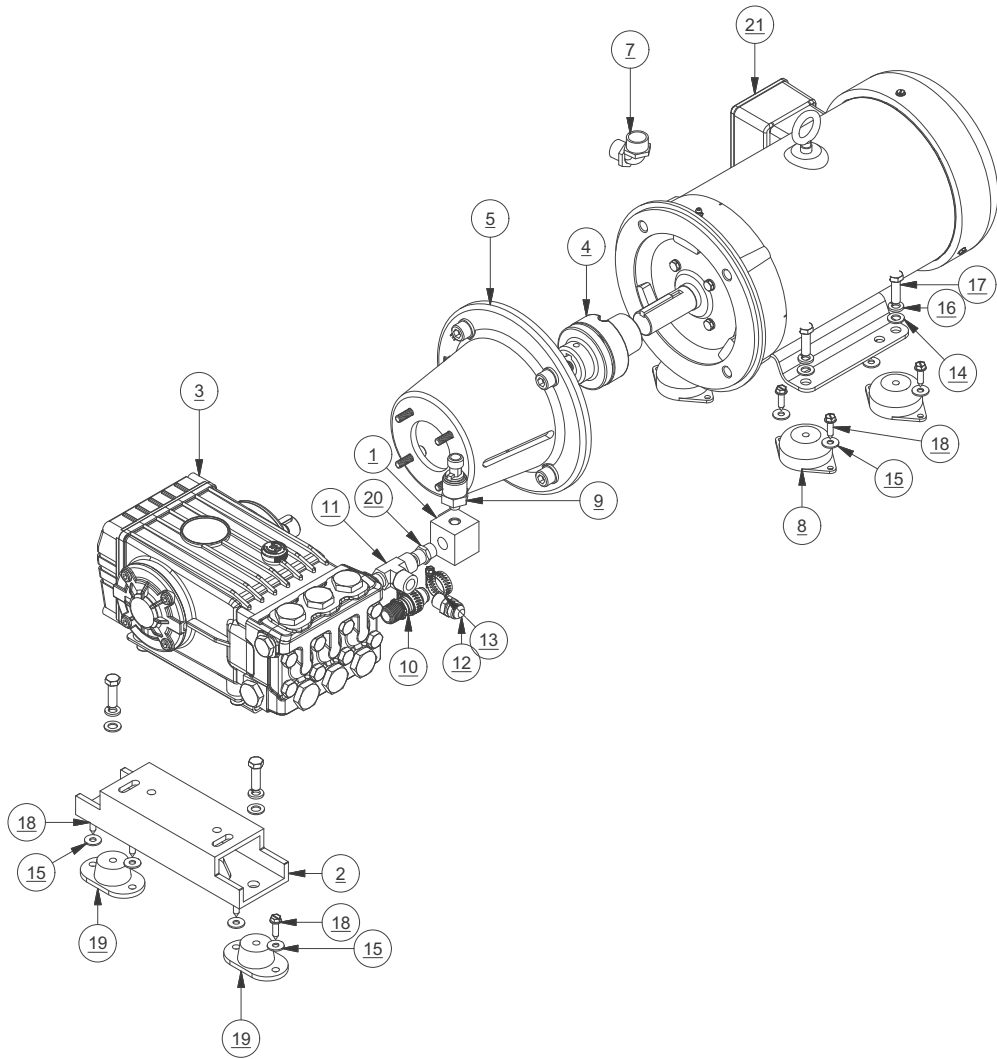
B156300005 HP GP-PUMP MOTOR 5.55GPM 5HP 230-460V 60Hz 3PH ASSY

ITEM NO.	QTY.	PART NUMBER	DESCRIPTION
1	1	5353140903	MANIF HP TRANSDUCER AQM
2	1	110120033	MTG, PUMP, 5.5-8.0 GPM, AQMXL
3	1	12170500CO	PUMP,5.55GPM,1750-1450RPM,RALS-IN
4	1	12207603CO	COUPLER,24mm x 1.125in
5	1	1220770104	BELL HSG,5HP
6	1	1567283319	MOTOR,5HP,230-460V,60Hz,3PH
7	4	20-2449	ISOLATION MOUNT,.38-16UNC THD NEOPRENE,50 DURO
8	1	2317100300	TRANSDUCER 0-2000 PSI .437 SAE
9	1	0101652683	ADAPTER 0.5 MPT x 0.75 BARB
10	1	01174918PH	TEE RUN 0.38 MT x 0.38 FT x 0.38 FT SS316
11	1	1317092569	CONN -8 FLARE x 0.38 MT SS
12	2	05181434AA	CLAMP,HOSE,SS,3/4"
13	8	061060050000	NUT HEX .31-18 W-INSERT SS
14	2	061060057000	NUT,HEX,.38-16 W-INSERT SS
15	16	061080049000	WASHER,FLAT,5-16 IN,SS
16	8	061080056000	WASHER,FLAT,3/8",SS
17	8	061142150012	SCREW,HEX HEAD,.31-18x0.75,SS
18	4	061142157012	SCREW,HEX HEAD,.38-16x0.75,SS
19	2	061142157044	SCREW,HEX HEAD,3/8-16x2 1/4",SS
20	2	2020043902	SPACER MOTOR MOUNT AQM II
21	2	2115031020	MOUNT,RUBBER,40LB
22	1	01173818CL	NIP HEX .375 NPT X CLOSE SS



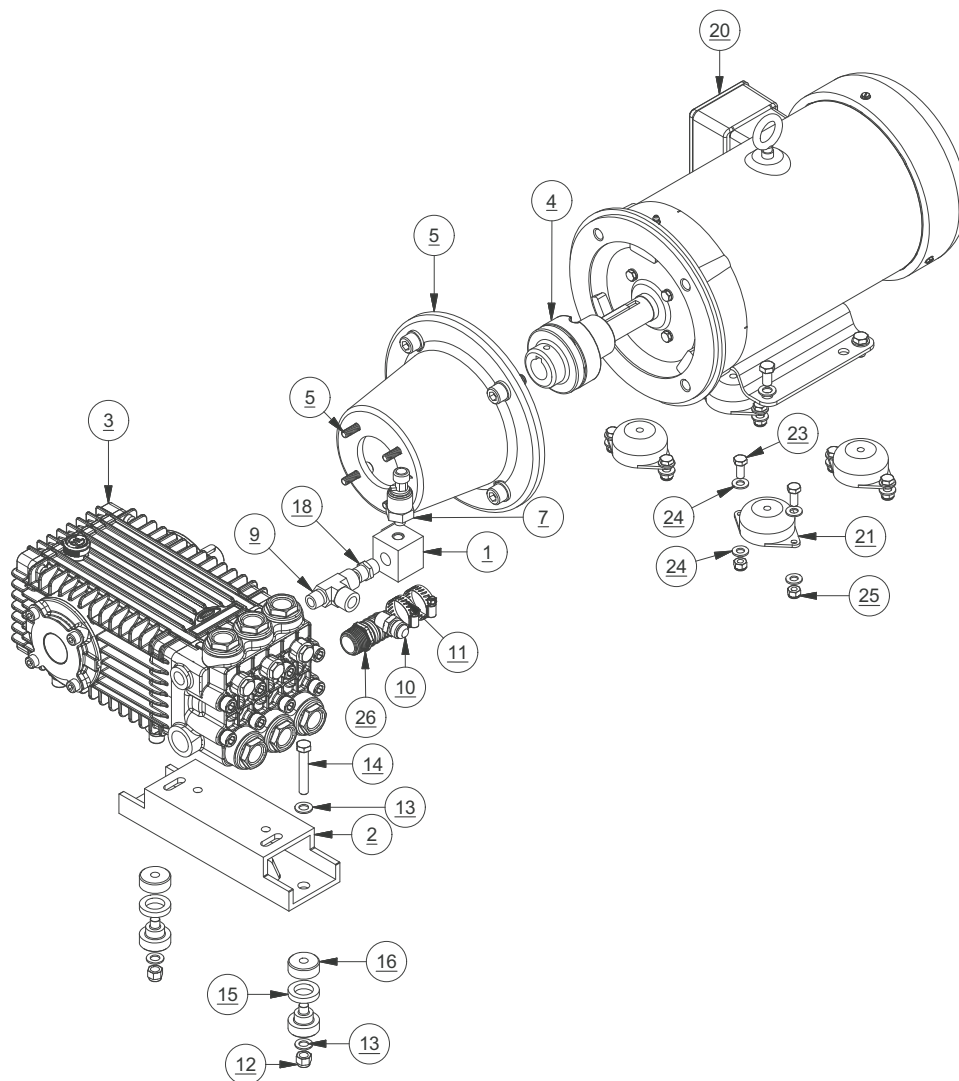
B156300005M HP GP-PUMP MOTOR 5.55GPM 5HP 230-460V 60Hz 3PH ASSY

ITEM NO.	QTY.	PART NUMBER	DESCRIPTION
1	1	5353140903	MANIF HP TRANSDUCER AQM
2	1	110120033	MTG, PUMP, 5.5-8.0 GPM, AQMXL
3	1	12170500CO	PUMP,5.55GPM,1750-1450RPM,RALS-IN
4	1	12207603CO	COUPLER,24mm x 1.125in
5	1	1220770104	BELL HSG,5HP
7	1	19200257HB	STRAIN RELIEF 90DEG .63-.75 CORD
8	4	20-2449	ISOLATION MOUNT,.38-16UNC THD NEOPRENE,50 DURO
9	1	2317100300	TRANSDUCER 0-2000 PSI .437 SAE
10	1	0101652683	ADAPTER 0.5 MPT x 0.75 BARB
11	1	01174918PH	TEE RUN 0.38 MT x 0.38 FT x 0.38 FT SS316
12	1	1317092569	CONN -8 FLARE x 0.38 MT SS
13	2	05181434AA	CLAMP,HOSE,SS,3/4"
14	6	061080056000	WASHER,FLAT,3/8",SS
15	12	061100043000	WASHER FLAT OS .25 SS
16	6	061120056000	WASHER,LOCK,3/8",SS
17	6	061142157020	SCREW,HEX HEAD,3/8-16x1-1/4",SS
18	12	061172143016	SCREX,HEX A,.25x1.00,SS
19	2	2115030120	RUBBER MOUNT 55 AQUA SERIES
20	1	01173818CL	NIP HEX .375 NPT X CLOSE SS
21	1	1567283319	MOTOR,5HP,230-460V,60Hz,3PH



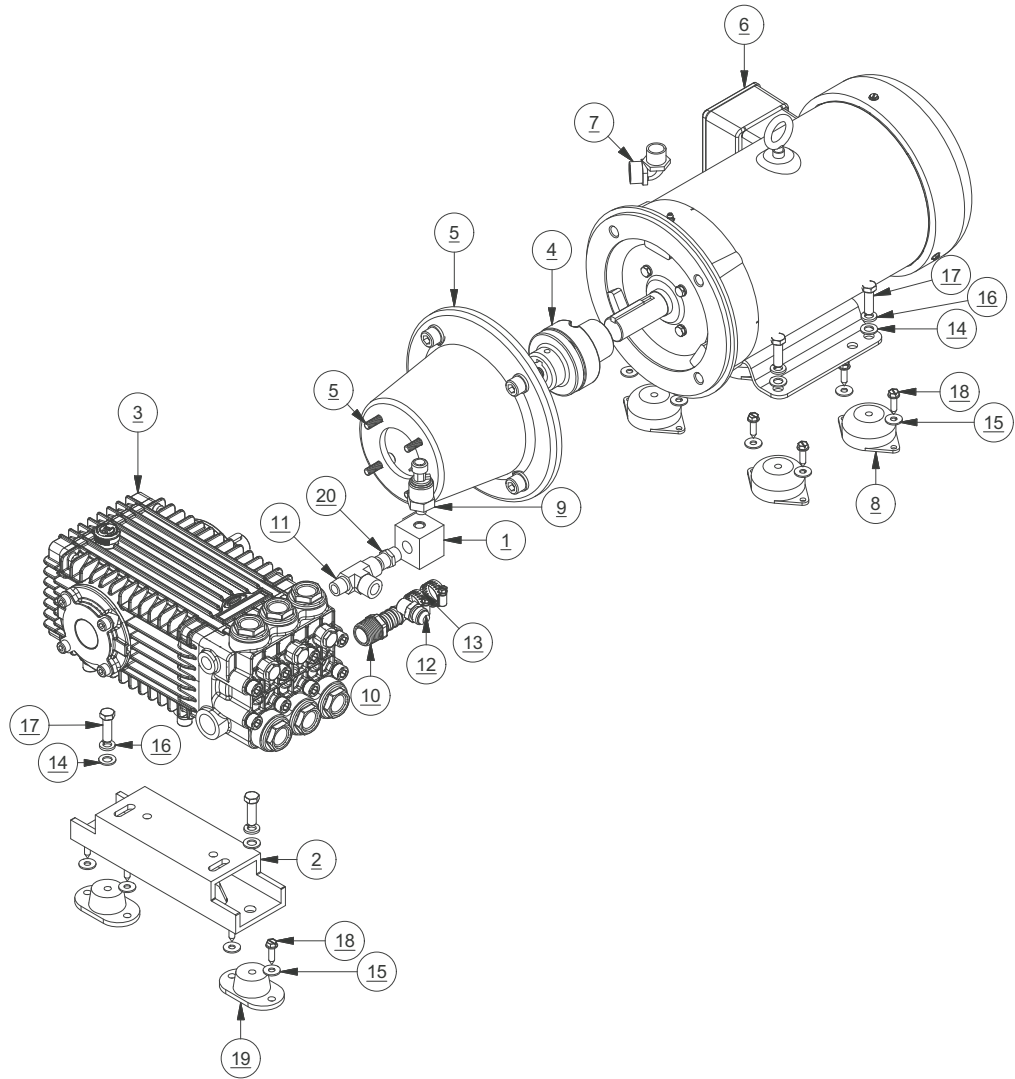
B156300006 HP GP PUMP MTR 7.6 GPM 5HP 190-460V 50-60Hz 3PH ASSY

ITEM NO.	QTY.	PART NUMBER	DESCRIPTION
1	1	5353140903	MANIF HP TRANSDUCER AQM
2	1	110120033	MTG, PUMP, 5.5-8.0 GPM, AQMXL
3	1	12180523CO	HPP,7.6 GPM,SS
4	1	12207603CO	COUPLER,24mm x 1.125in
5	1	1220770104	BELL HSG,5HP
7	1	2317100300	TRANSDUCER 0-2000 PSI .437 SAE
9	1	01174918PH	TEE RUN 0.38 MT x 0.38 FT x 0.38 FT SS316
10	1	1317092569	CONN -8 FLARE x 0.38 MT SS16
11	2	05181435AA	CLAMP,HOSE,SS,1"
12	2	061060057000	NUT,HEX,.38-16 W-INSERT SS
13	8	061080056000	WASHER,FLAT,3/8",SS
14	2	061142157044	SCREW,HEX HEAD,3/8-16x2 1/4",SS
15	2	2020043902	SPACER MOTOR MOUNT AQM II
16	2	2115031020	MOUNT,RUBBER,40LB
18	1	01173818CL	NIP HEX .375 NPT X CLOSE SS
20	1	1567283319	MOTOR,5HP,230-460V,60Hz,3PH
21	4	20-2449	ISOLATION MOUNT,.38-16UNC THD NEOPRENE,50 DURO
22	4	061142157012	SCREW,HEX HEAD,.38-16x0.75,SS
23	8	061142150012	SCREW,HEX HEAD,.31-18x0.75,SS
24	16	061080049000	WASHER,FLAT,5-16 IN,SS
25	8	061060050000	NUT HEX .31-18 W-INSERT SS
26	1	0101653883	ADAPTER 0.75 MPT x 1.00 BARB



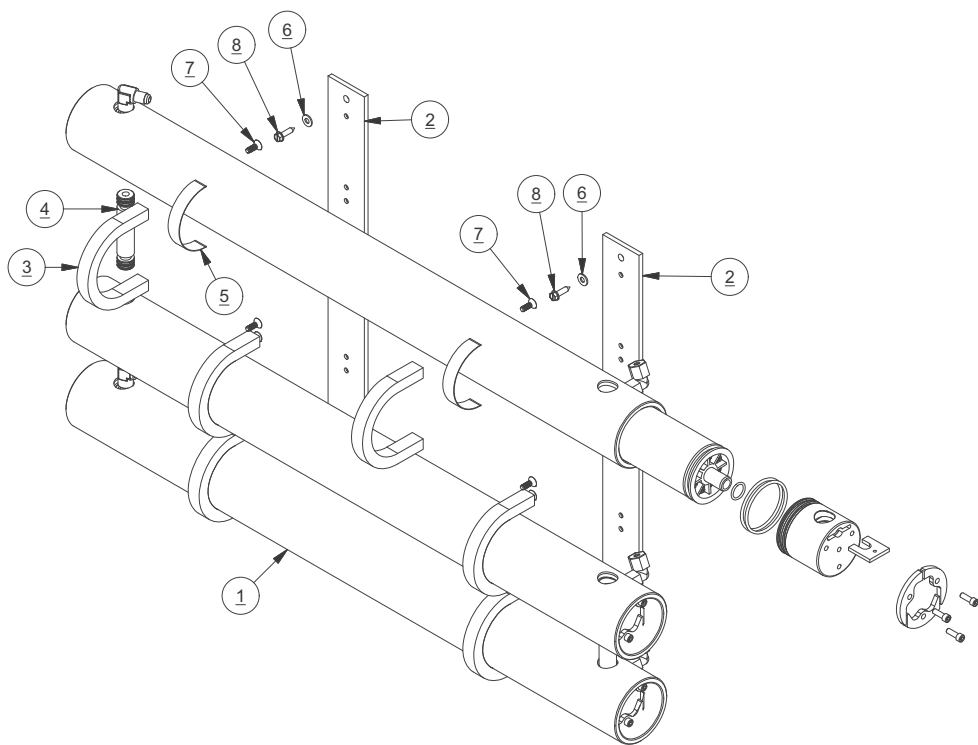
B156300006M HP GP PUMP MTR 7.6 GPM 5HP 190-460V 50-60Hz 3PH ASSY

ITEM NO.	QTY.	PART NUMBER	DESCRIPTION
1	1	5353140903	MANIF HP TRANSDUCER AQM
2	1	110120033	MTG, PUMP, 5.5-8.0 GPM, AQMXL
3	1	12180523CO	HPP,7.6 GPM,SS
4	1	12207603CO	COUPLER,24mm x 1.125in
5	1	1220770104	BELL HSG,5HP
6	1	1567283319	MOTOR,5HP,230-460V,60Hz,3PH
7	1	19200257HB	STRAIN RELIEF 90DEG .63-.75 CORD
8	4	20-2449	ISOLATION MOUNT,.38-16UNC THD NEOPRENE,50 DURO
9	1	2317100300	TRANSDUCER 0-2000 PSI .437 SAE
10	1	0101653783	ADAPTER 0.75 MPT x BARB
11	1	01174918PH	TEE RUN 0.38 MT x 0.38 FT x 0.38 FT SS316
12	1	1317092569	CONN -8 FLARE x 0.38 MT SS
13	2	05181434AA	CLAMP,HOSE,SS,3/4"
14	6	061080056000	WASHER,FLAT,3/8",SS
15	12	061100043000	WASHER FLAT OS .25 SS
16	6	061120056000	WASHER,LOCK,3/8",SS
17	6	061142157020	SCREW,HEX HEAD,3/8-16x1-1/4",SS
18	12	061172143016	SCREW,HEX A,.25x1.00,SS
19	2	2115030120	RUBBER MOUNT 55 AQUA SERIES
20	1	01173818CL	NIP HEX .375 NPT X CLOSE SS



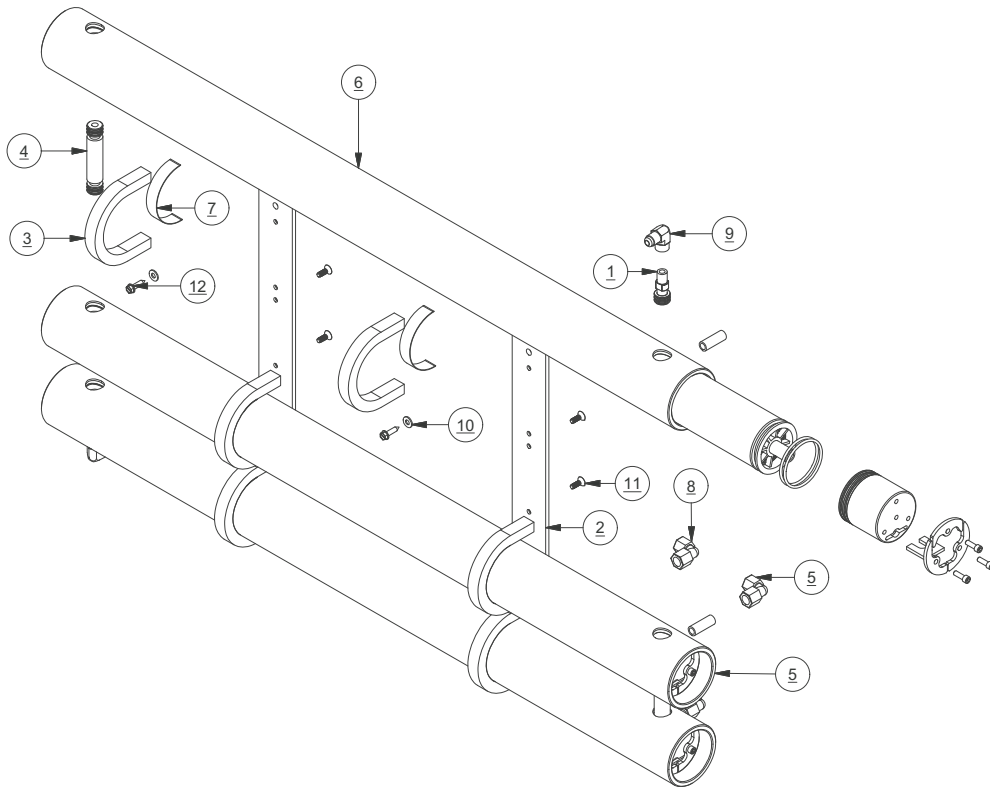
B196300021 MEMBRANE VESSEL ASSY 2200GPD AQMXL

ITEM NO.	QTY.	PART NUMBER	DESCRIPTION
1	3	B196900002	MEMBRANE VESSEL ASSY 700GPD
2	2	0520052000	PLATE,SUPPORT,VESEL,3 IN,23.00x2.50x0.25TH
3	6	05202401GR	BRACKET,MVA U-CLAMP,3 IN
4	2	2417430800	INTERCONNECT MVA SS
5	6	2615180100	FELT ADHESIVE 0.125 X 0.75 STRIP
6	4	061080043000	WASHER,FLAT,1/4",SS
7	12	061161845012	SC ALLEN FLAT .25-20 X .75 SS
8	4	061172143016	SCREX,HEX A,.25x1.00,SS



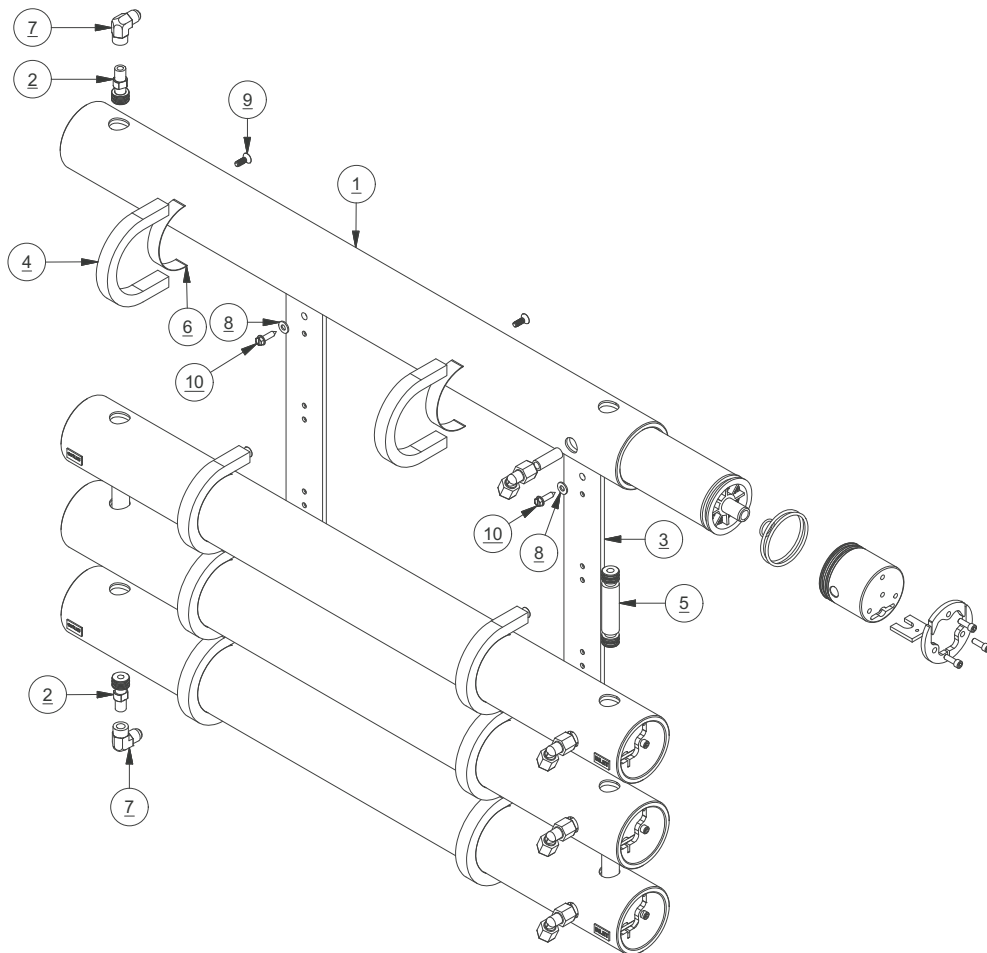
B196300037 MEMBRANE VESSEL ASSY 2600GPD AQMXL

ITEM NO.	QTY.	PART NUMBER	DESCRIPTION
1	2	0117410800	HP NIPPLE 0.25 MPT
2	2	0520052000	PLATE,SUPPORT,VESSEL,3 IN,23.00x2.50x0.25TH
3	6	05202401GR	BRACKET,MVA U-CLAMP,3 IN
4	2	2417430800	INTERCONNECT MVA SS
5	1	B196900004	900 GPD MEM-VESSEL ASSY (SEAFARI)
6	2	B196900004	900 GPD MEM-VESSEL ASSY (SEAFARI)
7	6	2615180100	FELT ADHESIVE 0.125 X 0.75 STRIP
8	2	0204011769	ELBOW,PP,3/8 ODx1/4 FT
9	2	1317012469	ELB90 -8 FLARE x 0.25 MT SS
10	4	061080043000	WASHER,FLAT,1/4",SS
11	12	061161845012	SC ALLEN FLAT .25-20 X .75 SS
12	4	061172143016	SCREX,HEX A, .25x1.00,SS



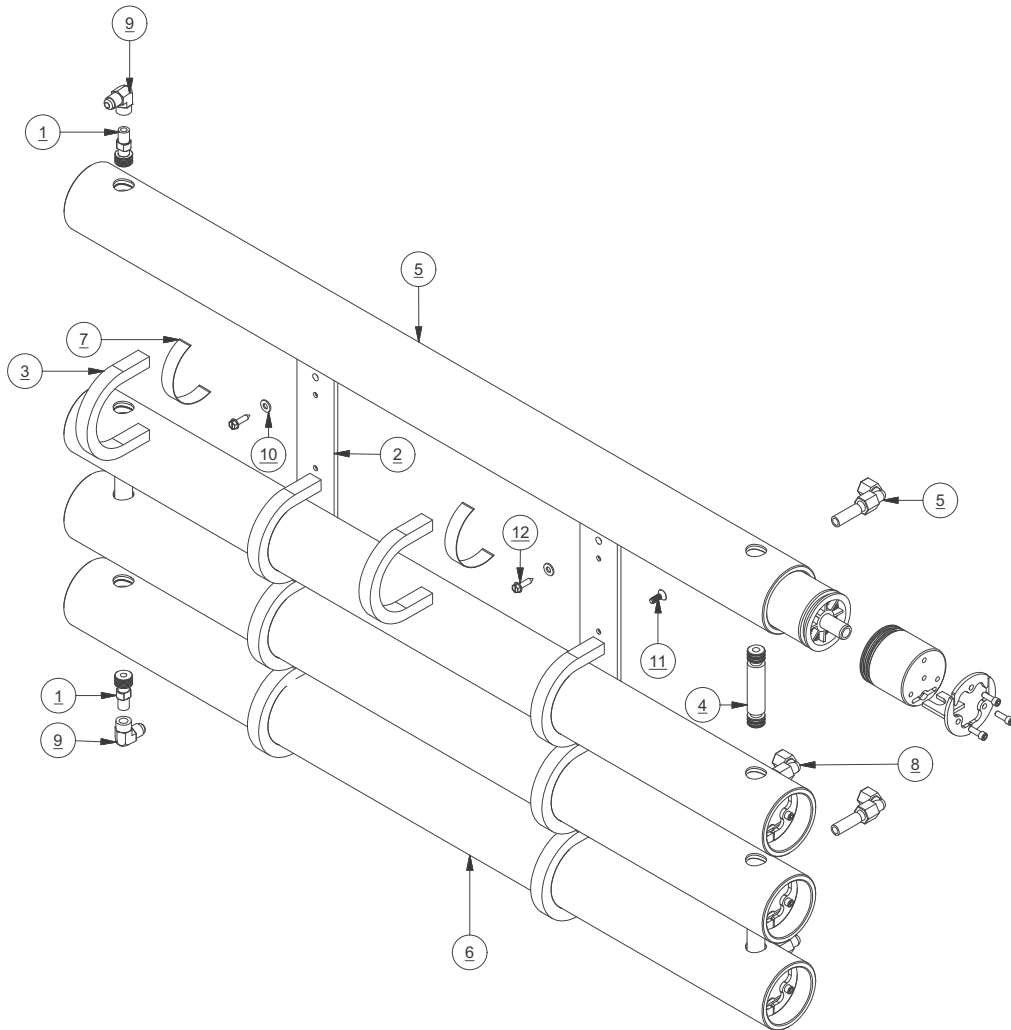
B196300028 MEMBRANE VESSEL ASSY 2800GPD AQMXL

ITEM NO.	QTY.	PART NUMBER	DESCRIPTION
1	4	B196900002	MEMBRANE VESSEL ASSY 700GPD
2	2	0117410800	HP NIPPLE 0.25 MPT
3	2	0520052000	PLATE,SUPPORT,VESEL,3 IN,23.00x2.50x0.25TH
4	8	05202401GR	BRACKET,MVA U-CLAMP,3 IN
5	3	2417430800	INTERCONNECT MVA SS
6	8	2615180100	FELT ADHESIVE 0.125 X 0.75 STRIP
7	2	1317012469	ELB90 -8 FLARE x 0.25 MT SS
8	4	061080043000	WASHER,FLAT,1/4",SS
9	16	061161845012	SC ALLEN FLAT .25-20 X .75 SS
10	4	061172143016	SCREX,HEX A, .25x1.00,SS



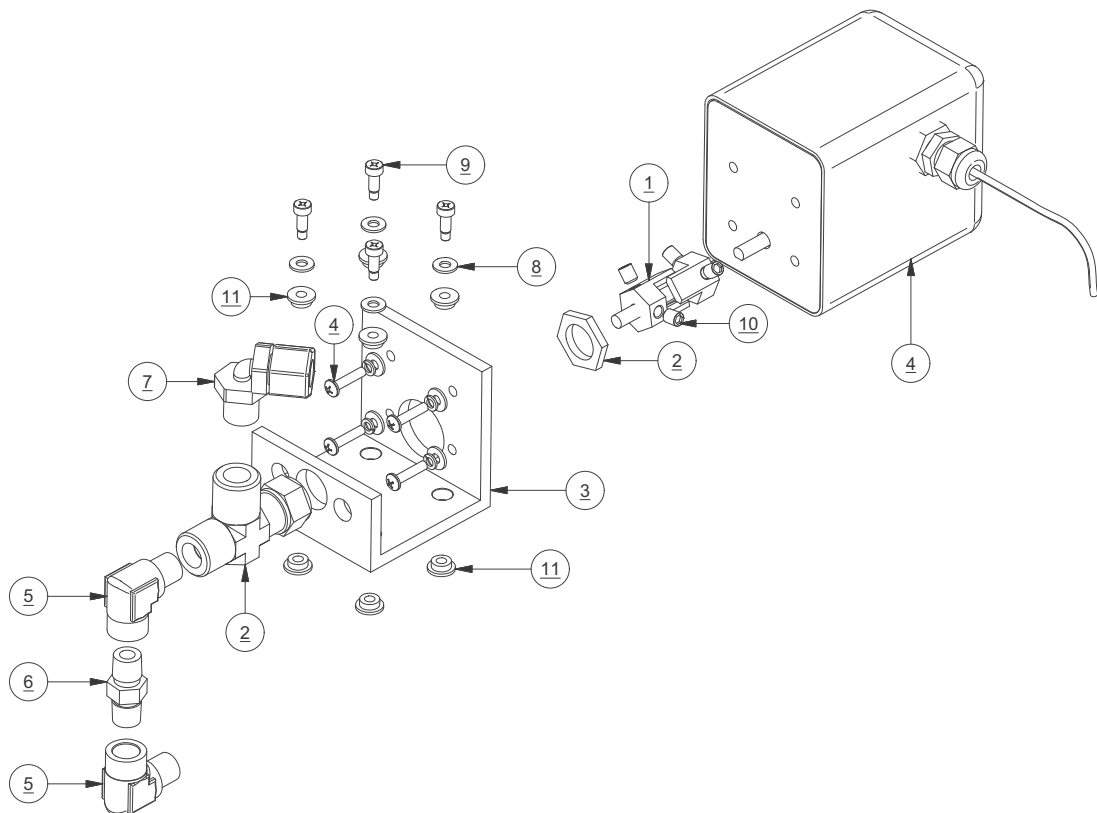
B196300036 MEMBRANE VESSEL ASSY 3400GPD AQMXL

ITEM NO.	QTY.	PART NUMBER	DESCRIPTION
1	2	0117410800	HP NIPPLE 0.25 MPT
2	2	0520052000	PLATE,SUPPORT,VESSEL,3 IN,23.00x2.50x0.25TH
3	8	05202401GR	BRACKET,MVA U-CLAMP,3 IN
4	3	2417430800	INTERCONNECT MVA SS
5	2	B196900004	900 GPD MEM-VESSEL ASSY
6	2	B196900004	900 GPD MEM-VESSEL ASSY (SEAFARI)
7	8	2615180100	FELT ADHESIVE 0.125 X 0.75 STRIP
8	2	0204011769	ELBOW,PP,3/8 ODx1/4 FT
9	2	1317012469	ELB90 -8 FLARE x 0.25 MT SS
10	4	061080043000	WASHER,FLAT,1/4",SS
11	14	061161845012	SC ALLEN FLAT .25-20 X .75 SS
12	4	061172143016	SCREX,HEX A,.25x1.00,SS



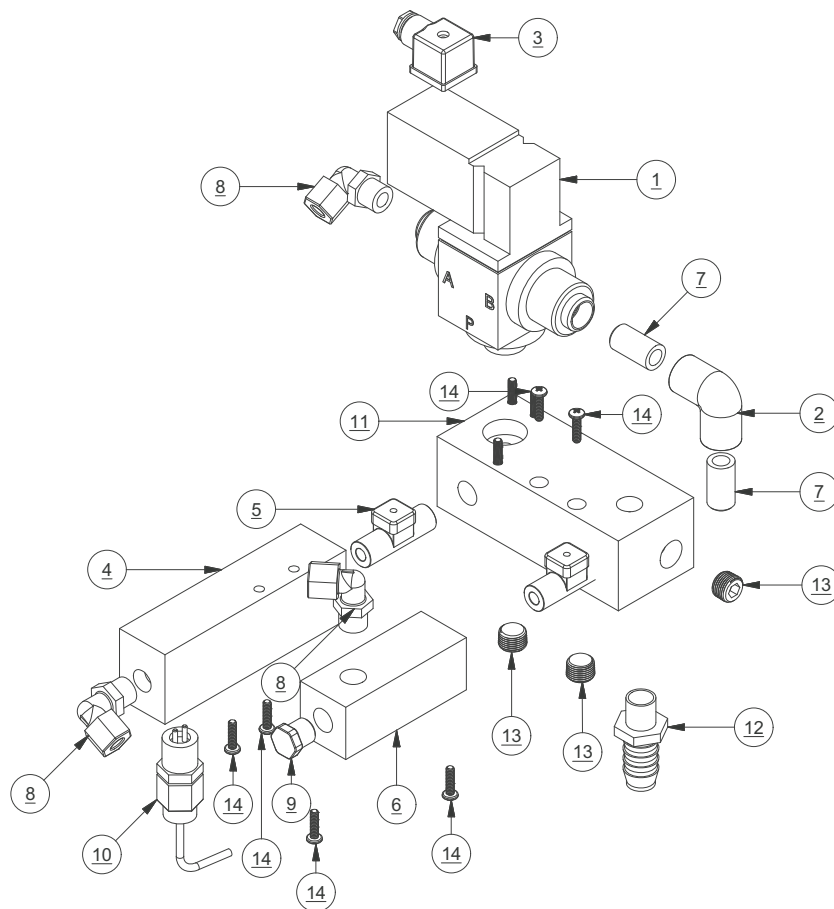
B476160004 BPR CONNECTION AQMXL ASSY

ITEM NO.	QTY.	PART NUMBER	DESCRIPTION
1	1	3421020100	COUPLER BACK PRESSURE REG-AQM
2	1	1417017896	VALVE,REGULATOR,PRESSURE
3	1	2020043900	BRACKET BPR MOUTING AQUAMATIC II
4	1	B079400004	BRP GEAR ASSY
5	2	0117230819	ELB90 0.25 MPT X 0.25 FPT SS
6	1	0117380869	NIPPLE 0.25 NPT X 1.50 SS316L
7	1	0204021769	ELBOW,PP,3-8 ODx1-4 MT
8	4	061080028000	WASHER FLAT #10 SS
9	4	061162826010	SC,SHLDR,PHIL,#8-32,0.188Dx0.375L,SS
10	2	061222345006	SC ALLEN .25-20 x .375LG
11	8	21010110MC	BUSHING,RUBBER,STD,BLUE,0.189IDx0.500ODx0.175TH



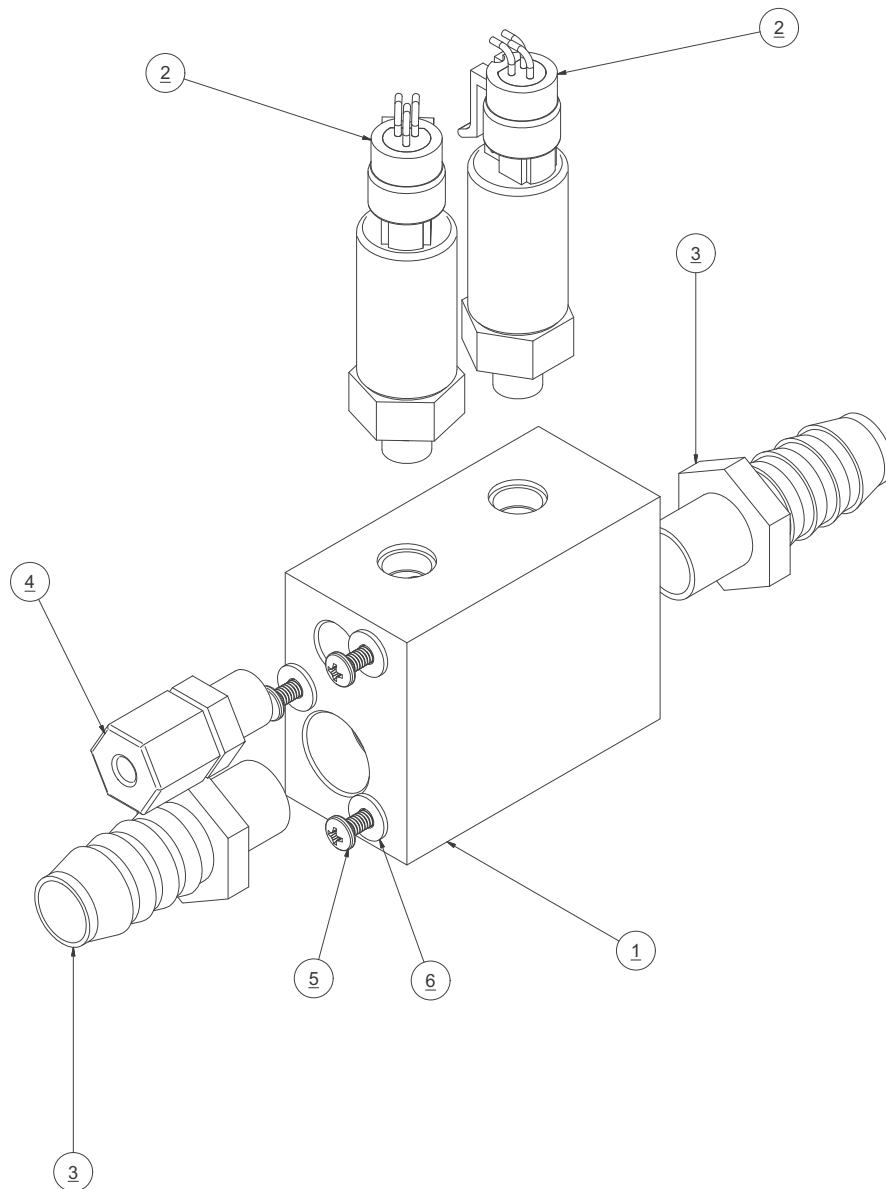
B516300004 PLUMBING CONNECTION ASSY AQMXL

ITEM NO.	QTY	PART NO.	DESCRIPTION
1	1	75012026	VALVE,SOLENOID,12VDC,3W,3-8IN
2	1	0101191800	ELB90 .375 SL X.375 FNPT PVC
3	1	3131680298	PLUG CONNECTOR DIN 3-PIN
4	1	14012006	MANIFOLD, PROB, PVC, PRESS, LOW, 6X1.5X2
5	1	11026820AO	FLOW METER IN-LINE 0.26-4.0GPM
6	1	5360300800	MANIFOLD,BRINE FLOW,PVC,PRESS,LOW,1.5X1.5X4.0
7	2	0101378500	NIPPLE .375 NPT x 1
8	3	0204021869	ELBOW,PP,3/8 ODx3/8 MT
9	1	0101341883	PLUG 0.375 MT
10	1	B511080004	SALINITY PROBE ASSY
11	1	14012005	MANIFOLD, AQMXL 3-8 DV, PVC, PRESS, LOW, 6X2.5X2
12	1	01126526DG	ADAP 0.50 MPT x 0.75 BARB NYLON
13	3	91-3971	PLUG, 38NPT, 316SS, THREADED HEX SOCKET PLUG, 72
14	6	061160630012	SC PHIL PAN 10-24 X .75 SS
15	1	11026920AO	FLOWMETER IN-LINE .53-7.9GPM
16	3	061160631032	SC PHIL PAN #10-32 x 2.00 SS



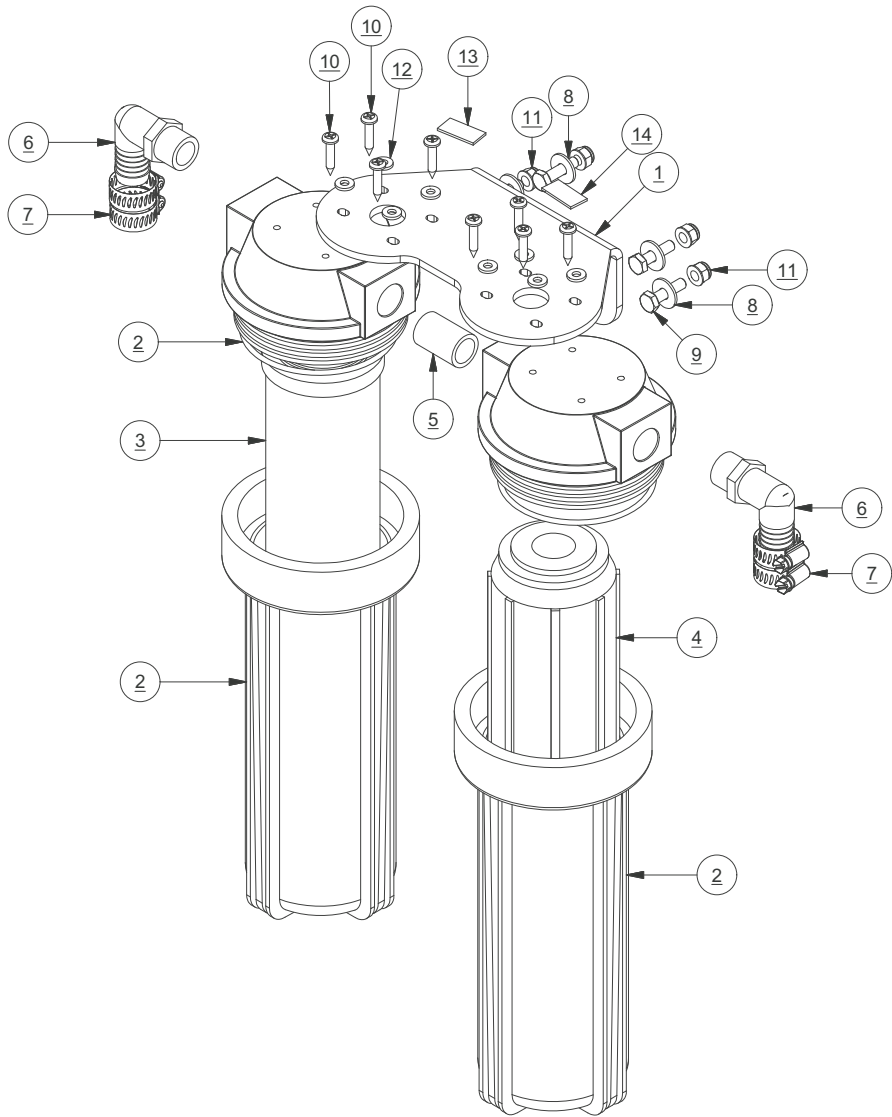
B502160002 MANIFOLD LP ASSY AQMC AQWDX

ITEM NO.	QTY	PART NO.	DESCRIPTION
1	1	5301400802	MANIFOLD LP PICKUP AQM II-REV PR
2	2	2317100200	TRANSDUCER 0-200 PSI .437 SAE
3	2	01126526DG	ADAP .5 MPT X .75 BARB NYLON
4	1	0204090869	FITTING,PP,1/4 ODX1/4 MT
5	3	061160626010	SC PHIL PAN 8-32 X 5/8 SS
6	3	061080023000	WASHER,FLAT,#8",SS



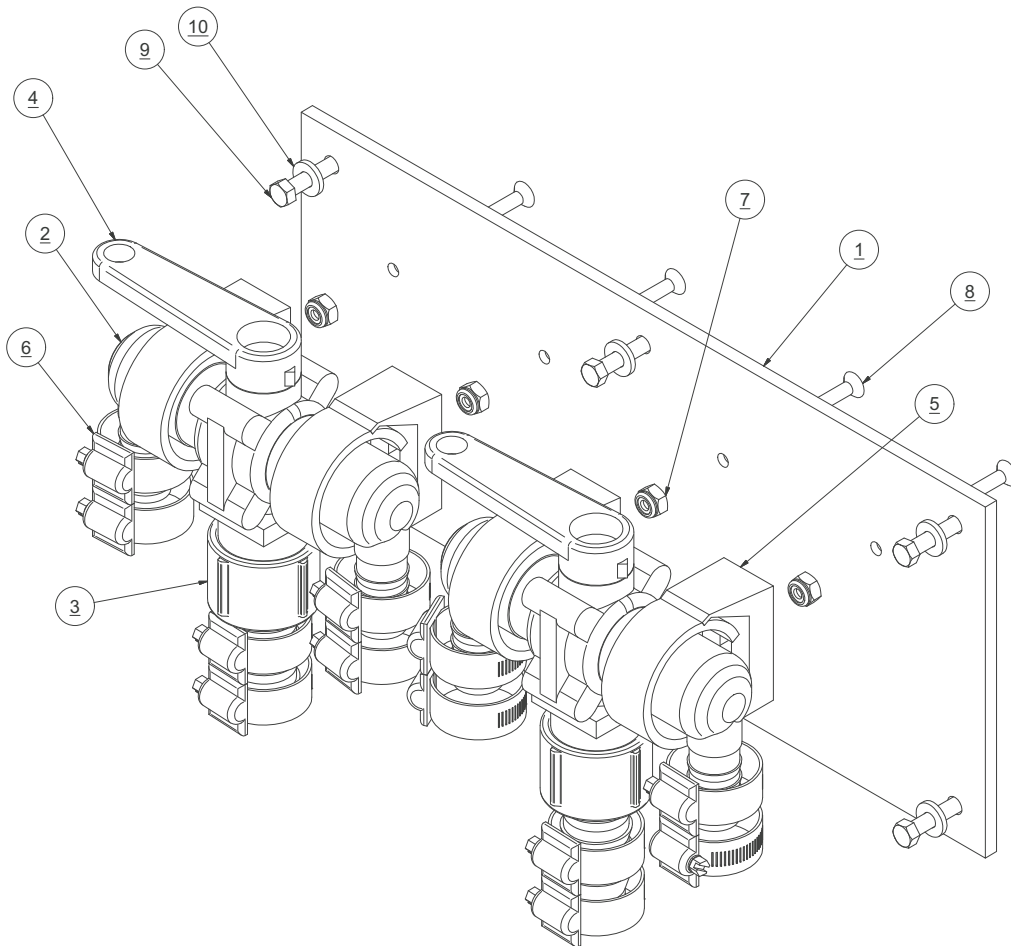
B114150001 POSTFILTER DUAL AQMXL

ITEM NO.	QTY	PART NO.	DESCRIPTION
1	1	20200402101	DUAL BRACKET PREFILTER-CHRCL-PLNKTN Rev A
2	2	0713020873	FILTER HOUSING .50 X 10
3	1	0803004773	ELEMENT CHARCOAL 10.0
4	1	08251950AS	ELEMENT POST FILTER PH 9.75 IN
5	1	01013725CL	NIPPLE 0.50 NPT x CL
6	2	0112072600	ELB90 0.50 MPT x 0.75 BARB NYLON
7	4	05181434AA	CLAMP,HOSE,SS,3/4"
8	4	061100043000	WASHER,FLAT,OS,1/4",SS
9	4	061142145016	SCREW,HEX HEAD,.25-20x1",SS
10	8	061170628016	SC PHIL PAN A #10 X 1 SS
11	4	065070045000	NUT HEX .25-20 FLANGED
12	8	065080028000	WASHER FLAT #10 NYLON
13	1	2234012360	LABEL 25 MICRON PREFILTER -1
14	1	2234012460	LABEL 5 MICRON PREFILTER -2



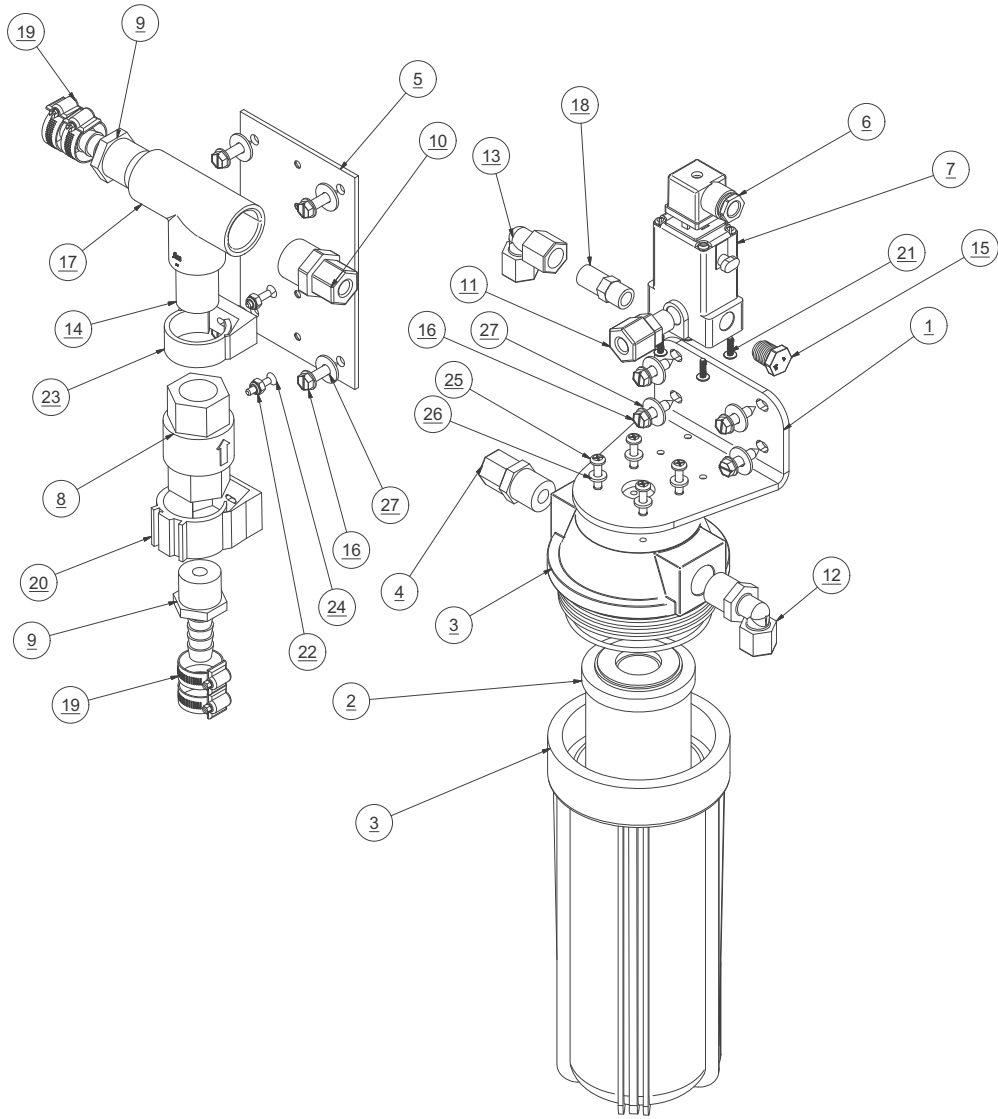
B591120001 CLEAN AND RINSE KIT

ITEM NO.	QTY.	PART NUMBER	DESCRIPTION
1	1	20200404040	BRACKET-CLEAN AND RINSE KIT
2	4	0101063783	ELB90 .75 FPT X .75 BARB PVC
3	2	0101613783	ADAP .75 FNPT x .75 BARB PVC
4	2	14011334AR	VALVE 3-WAY BALL .75 MPT
5	4	0501164200	PIPE SUPPORT 1.125
6	12	05181434AA	HOSE CLAMP .75 SS
7	4	061060026000	NUT,HEX,8-32 W-INSERT SS
8	4	061161626012	SC PHIL FLAT #8-32 X .75 SS
9	6	061170628016	SC PHIL PAN A #10 X 1 SS
10	6	065080028000	WASHER FLAT #10 NYLON



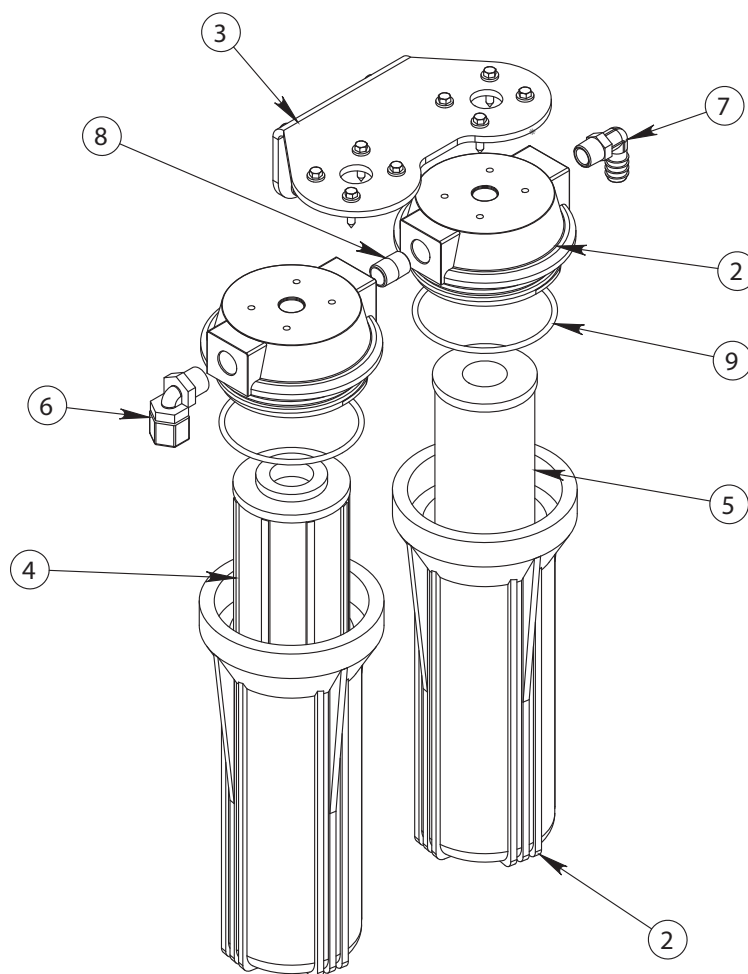
B598000009 FRESH WATER FLUSH 10 IN HOUSING

ITEM NO.	QTY.	PART NUMBER	DESCRIPTION
1	1	20200402102	BRACKET SINGLE FILTER
2	1	0803004773	ELEMENT CHARCOAL 10.0
3	1	0713020873	FILTER HOUSING .50 X 10
4	1	0204091969	FITTING,PP,3/8 ODx1/2 MT
5	1	2020040002	BRACKET CHECK VALVE FWF
6	1	3131680298	PLUG CONNECTOR DIN 3-PIN
7	1	1401095998	SOLENOID VALVE EXTERNAL PORT
8	1	14012118AR	VALVE CHECK .75 FPT WITH VITO
9	2	0112653600	ADAP .75 MPT X .50 BARB NYLON
10	1	0204092069	CONN .375 TUBE X .75 MPT PLASTIC
11	1	0204091769	CONN .375 TUBE x .250 MT PLASTIC
12	1	0204021969	ELBOW,PP,3/8 ODx1/2 MT
13	1	0204011769	ELBOW,PP,3/8 ODx1/4 FT
14	1	01123737DG	NIP 0.75 NPT X 0.75 NPT NYLON
15	1	0101340883	PLUG 0.25 MT
16	8	061172143016	SCREX,HEX A,.25x1.00,SS
17	1	01124237DG	TEE 0.75 FPT X FPT X FPT NYLON
18	1	14172105AT	VALVE CHECK .25 MPT SS
19	4	05181434AA	HOSE CLAMP .75 SS
20	1	0501164500	PIPE SUPPORT 1.25
21	4	061170623008	SC PHIL PAN B #8 X .50 SS
22	2	061060026000	NUT,HEX,8-32 W-INSERT SS
23	1	0501164200	PIPE SUPPORT 1.125
24	2	061161626012	SC PHIL FLAT #8-32 X .75 SS
25	4	061170628016	SC PHIL PAN A #10 X 1 SS
26	4	065080028000	WASHER FLAT #10 NYLON
27	8	061100043000	WASHER,FLAT,OS,1/4",SS



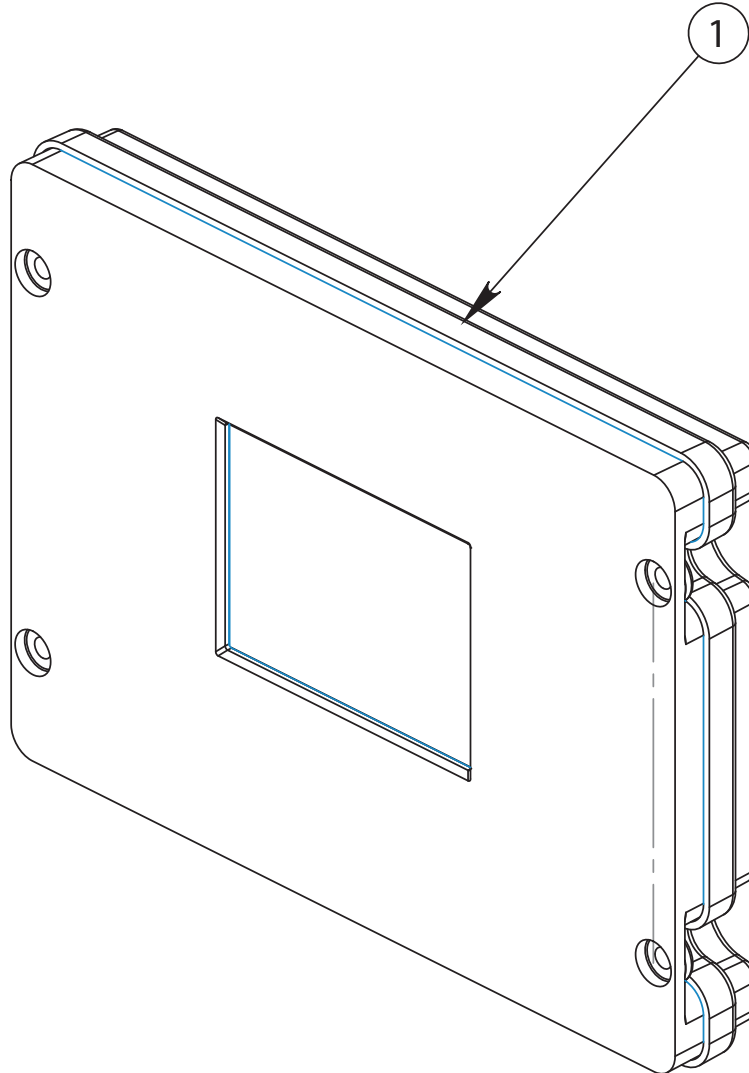
B114140001 PH NEUTRALIZER / CHARCOAL DUAL AQMC II / MOD

ITEM NO.	QTY.	PART NO.	DESCRIPTION
1	1	B114140001	PH NEUTRALIZER / CHARCOAL DUAL AQMC II / MOD (INCLUDES P/N 2-9)
2	2	0713020573	FILTER HOUSING/LID 3/8 X 10
3	1	20200402101	DUAL BRACKET, PRE-FILTER, CHRCL/PLNKTN
4	1	08251950AS	ELEMENT PH 9 3/4"
5	1	0803004773	CHARCOAL FILTER 10 IN
6	1	0204021869	ELB90 3/8 TUBE X 3/8 MPT PLASTIC
7	1	0112071900	ELB90 3/8 X 1/2 BARB NYLON
8	1	01013718CL	NIPPLE 3/8 NPT X CLOSE PVC
9	2	2614010473	O-RING 237 BLUE HOUSING



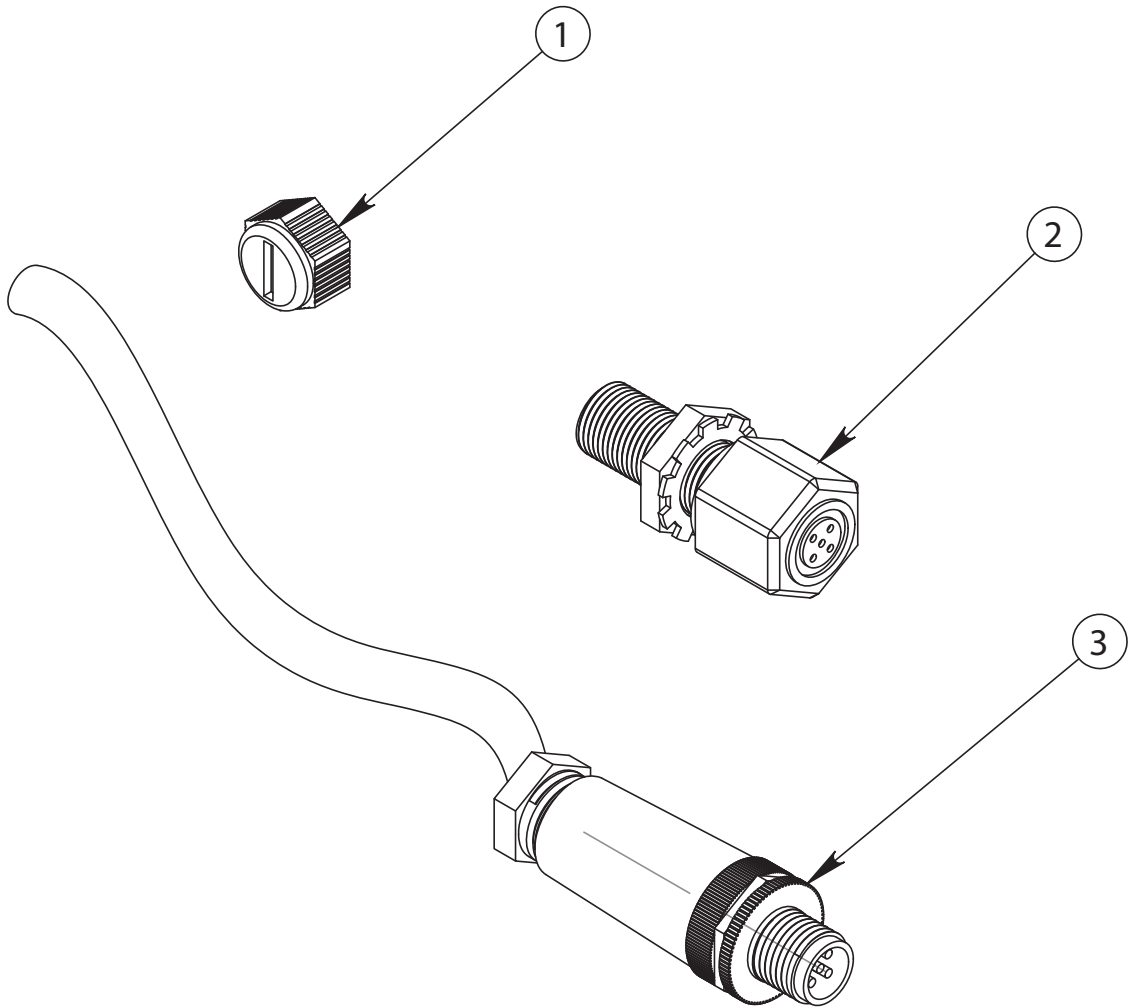
B595160001 SR AQUAMATIC II CONTROLLER

ITEM NO.	QTY	PART NO.	DESCRIPTION
1	1	B595160001	CONTROLLER AQM 2K



B610140004 NMEA 2000 ENABLED

ITEM NO.	QTY.	PART NO.	DESCRIPTION
1	1	31316809MT	MICRO CAP
2	1	31316801MT	MICRO BULKHEAD FEED-THRU ASSY
3	1	31316812MT	MICRO SINGLE ENDED CORDSET MALE



B610140008 REMOTE KIT DISPLAY 80FT STD AQMII

ITEM NO.	QTY.	PART NO.	DESCRIPTION
1	1	B610140008	REMOTE KIT DISPLAY 80FT STD AQMII (INCLUDES P/N 2-8)
2	1	B612160001	REMOTE AQM II
3	1	31316802MT	MICRO TEE MALE/FEMALE/FEMALE
4	1	31316806MT	MICRO TERMINATION RESISTOR F
5	1	31316811MT	MICRO DOUBLE-ENDED CORDSET 3M
6	1	31316806MT	MICRO TERMINATION RESISTOR F
7	1	4900450008	CABLE MICRO BULK
8	1	31316814MT	MICRO SINGLE ENDED CORDSET F FEMALE TO OPEN ENDED TERMINAL

