

Micro Double-Ended Cordsets



Double-ended cordsets are used for trunk or drop lines and make for a secure connection and simple timesaving installation. The connectors are keyed for error-free connection and they are waterproof for continued operation even while submerged in the bilge.

- Rugged, IP68 rated connectors for continued connection integrity in marine environments
- Various cable lengths to match installation requirements

MICRO/MID

Micro Tee



A Tee is used to tap into the trunk line for adding a drop connection. The standard tee is also available with a cap for a protected diagnostic connection. Tees can be mated with all other devices on the network of the same connector style.

- Gold contacts for greatest reliability
- Keyed connectors for error-free connections

Micro/Mid Powertap Tee



A Powertap Tee is connected to a network backbone just like any Tee but rather than connecting a device their purpose is to provide "bus" power. Maretron Powertap Tee uniquely provides two power inputs permitting doubled power provision for devices.

- Yellow cable indicates power and can't be confused with gray network cable
- Two cable lengths to match installation requirements

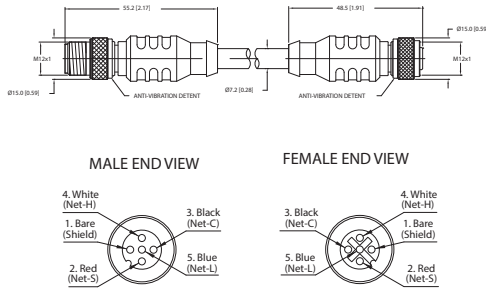
Copyright 2017 Maretron, LLP. All rights reserved. As Maretron is constantly improving its products, all specifications are subject to change without notice. Maretron's products are designed to be accurate and reliable; however, they should be used only as aids to navigation and vessel monitoring, and not as a replacement for traditional navigation and vessel monitoring techniques. A prudent captain or navigator never relies on a single source for navigation or system monitoring information. "NMEA 2000" is a registered trademark of the National Marine Electronics Association.

100

Maretron
Vessel Monitoring & Control Systems

www.maretron.com | 1-866-550-9100

Micro Double-Ended Cordsets



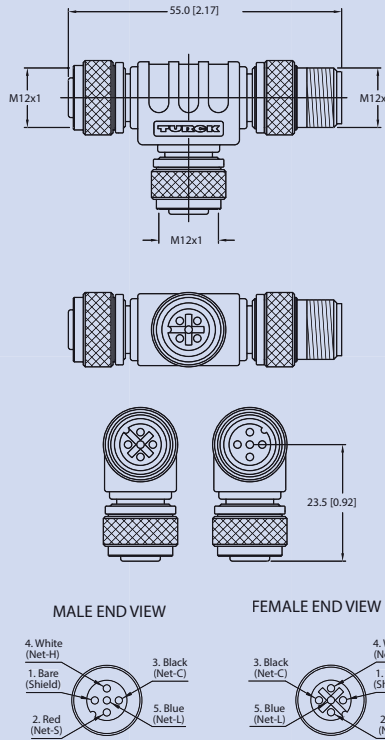
Specifications

MECHANICAL	<p>Contact Carrier Mat/Color: Thermoplastic PUR/Blue-Gray</p> <p>Molded Body Mat/Color: Thermoplastic PUR/Blue-Gray</p> <p>Contact Mat/Plating: Brass/Gold</p> <p>Coupling Nut Mat/Plating: Brass/Nickel</p> <p>Connector Outside Diameter: 0.59"</p>
ELECTRICAL	<p>Current Rating: 4.0 Amps</p> <p>Voltage Rating: 250 V</p>
CABLE	<p>Outer Jacket Mat/Color: PVC/Gray</p> <p>Conductor Insulation Material: HDPE (data pair), SRPVC (power pair)</p> <p>Number of Conductors: 4X22 AWG, 22 AWG Drain Wire</p> <p>Shielding (3-Levels): FOIL (Overall), FOIL (Power Pair), FOIL (Data Pair)</p>
ENVIRONMENTAL	<p>Protection Class: IEC IP68, NEMA 1,3,4,6P</p> <p>Temperature Rating: -40°C to 80°C to (-40°F to 176°F)</p>
APPROVALS	<p>(Cable) UL: PLTC 75°C Sunlight Resistant E90625, AWM 80°C 300V</p> <p>(Cable) CSA: CMX-OUTDOOR-CMG LL54185 75°C, AWM I/II A/B 80C 300V FT4</p> <p>NMEA: NMEA 2000® Approved</p> <p>IEC: IEC 61162-3</p>

Products

PART NUMBER	DESCRIPTION
CM-CG1-CF-00.5	Micro Double-Ended Cordset - M to F - 0.5M (gray)
CM-CG1-CF-01.0	Micro Double-Ended Cordset - M to F - 1M (gray)
CM-CG1-CF-02.0	Micro Double-Ended Cordset - M to F - 2M (gray)
CM-CG1-CF-03.0	Micro Double-Ended Cordset - M to F - 3M (gray)
CM-CG1-CF-04.0	Micro Double-Ended Cordset - M to F - 4M (gray)
CM-CG1-CF-05.0	Micro Double-Ended Cordset - M to F - 5M (gray)
CM-CG1-CF-06.0	Micro Double-Ended Cordset - M to F - 6M (gray)
CM-CG1-CF-08.0	Micro Double-Ended Cordset - M to F - 8M (gray)
CM-CG1-CF-10.0	Micro Double-Ended Cordset - M to F - 10M (gray)

Micro Tee



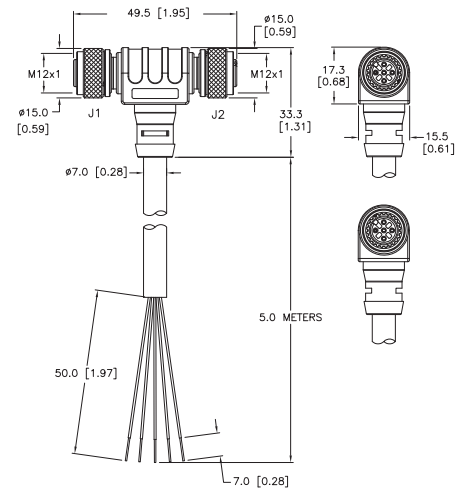
Specifications

MECHANICAL	<p>Molded Body Mat/Color: Thermoplastic PUR/Blue</p> <p>Contact Carrier Mat/Color: PA 6 (Nylon)/Black</p> <p>Contact Mat/Plating: Brass/Gold</p> <p>Coupling Nut Mat/Plating: Brass/Nickel</p>
ELECTRICAL	<p>Rated Current: 4.0 Amps</p> <p>Rated Voltage: 60 V</p>
ENVIRONMENTAL	<p>Protection Class: IEC IP67, NEMA 1,3,4,6</p> <p>Operating Temperature: -40°C TO 80°C (-40°F to 176°F)</p>
APPROVALS	<p>NMEA: NMEA 2000® Approved</p> <p>IEC: IEC 61162-3</p>

Products

PART NUMBER	DESCRIPTION
CM-CF-CF	Micro Tee

Micro/Mid Powertap Tees



Color	Name	Usage	Connector
Blue	NET-C	Ground	J1
Brown	NET-S	Power	J1
Gray	SHIELD	Drain	J1 & J2
Black	NET-C	Ground	J2
White	NET-S	Power	J2

Specifications

MECHANICAL	<p>Molded Body Mat/Color: Thermoplastic PUR/Yellow</p> <p>Contact Carrier Mat/Color: Thermoplastic PUR/Black</p> <p>Contact Mat/Plating: Brass/Gold</p> <p>Coupling Nut Mat/Plating: Brass/Nickel</p> <p>Cable Jacket Mat/Color: PVC/ Yellow</p> <p>Conductor Insulation Mat: PVC</p> <p>Number of Conductors: 5x18 (1.02mm) AWG</p>
ELECTRICAL	<p>Voltage Rating: 250 V</p> <p>Max Amperage: 4.0 Amps</p>
ENVIRONMENTAL	<p>Protection Class: IEC IP67, NEMA 1,3,4,6P</p> <p>Operating Temperature: -40°C to 105°C (-40°F to 221°F)</p>
APPROVALS	<p>NMEA: NMEA 2000® Approved</p> <p>IEC: IEC 61162-3</p>

Products

PART NUMBER	DESCRIPTION
CF-SPWR05-CF	Micro/Mid Powertap Tee - FM (left)/ 5 Meter 5 Wire Power drop (bottom)/FM (right)