

Micro Termination Resistors



Two termination resistors are required on every NMEA 2000 network, one on each end of the trunk line. Normally, a male termination is used since male pins tend to point back to the power source. In cases where the gender is reversed, a female terminator may be required. The inline terminator is used where the network is terminated at a product, for example a GPS or weather station at the top of a mast.

- Screw terminal connector for positive connections
- Termination resistors are used to terminate both ends of the trunk line

MICRO/MID

Micro Bulkhead Feed-Thru



The Bulkhead Feed-Thru allows ease of installation through panels or bulkheads and establishes future connection points in a network installation. The bulkhead feed-thru also maintains the integrity of watertight bulkheads by providing a waterproof seal and connection.

- Features rugged keyways for positive alignment of connections
- Waterproof rated to IP67

Multiport Box (Micro/Mid Male Homerun / Micro-Mid Female Drops)

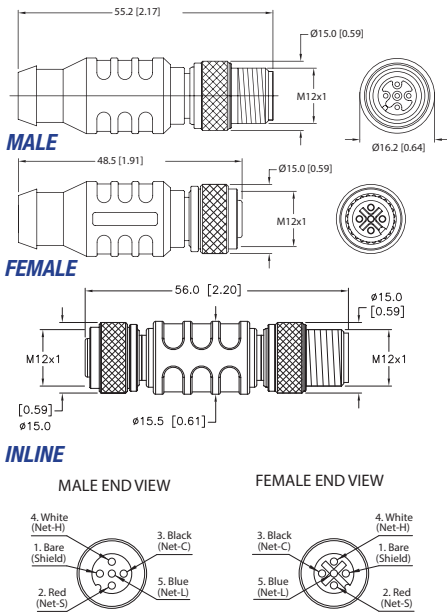


Multiport boxes allow several drop cables to be consolidated and connected back to the trunk, which eliminates the need to have numerous tees connected near a single point. Multiport boxes connect back to the trunk through a double-ended cordset and Tee.

- Ideal for consolidating many connections; for example behind dashboards
- Requires the purchase of an additional double-ended cordset for connection back to the trunk

Copyright 2017 Maretron, LLP. All rights reserved. As Maretron is constantly improving its products, all specifications are subject to change without notice. Maretron's products are designed to be accurate and reliable; however, they should be used only as aids to navigation and vessel monitoring, and not as a replacement for traditional navigation and vessel monitoring techniques. A prudent captain or navigator never relies on a single source for navigation or system monitoring information. "NMEA 2000" is a registered trademark of the National Marine Electronics Association.

Micro Termination Resistors



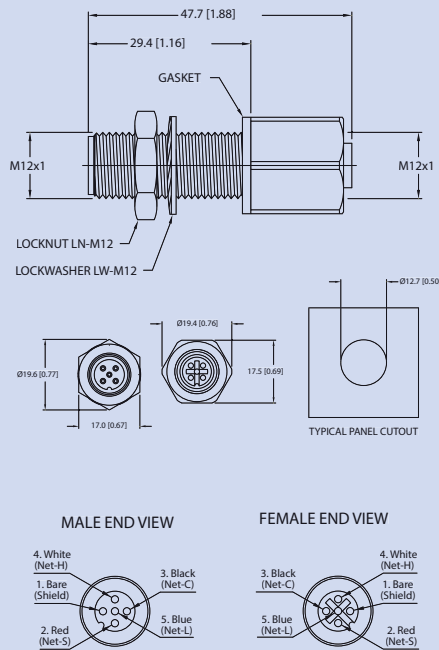
Specifications

MECHANICAL	
Molded Body Mat/Color:	Thermoplastic PUR/Blue-Gray – TR-CM, TR-CF
Contact Carrier Mat/Color:	Thermoplastic PUR/Black – IT-CM-CF
Contact Mat/Plating:	Thermoplastic PUR/Blue-Gray – TR-CM, TR-CF
Coupling Nut Mat/Plating:	Thermoplastic PUR/Black – IT-CM-CF
Contact Mat/Plating:	Brass/Gold
Coupling Nut Mat/Plating:	Brass/Nickel
ELECTRICAL	
Rated Voltage:	10-30 V DC
Internal Resistor:	120 Ohms (1/2 W) – TR-CM, TR-CF
	121 Ohms (1/4 W) – IT-CM-CF
ENVIRONMENTAL	
Protection Class:	IEC IP68, NEMA 1,3,4,6P
APPROVALS	
NMEA:	NMEA 2000® APPROVED
IEC:	IEC 61162-3

Products

PART NUMBER	DESCRIPTION
TR-CM	Micro Termination Resistor (Male)
TR-CF	Micro Termination Resistor (Female)
IT-CM-CF	Micro Inline Terminator

Micro Bulkhead Feed-Thru



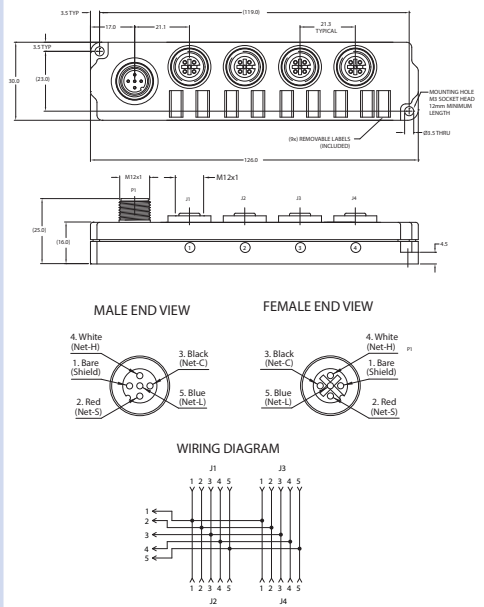
Specifications

MECHANICAL	
Contact Carrier Mat/Color:	PA 6 (Nylon)/Blue-Gray
Contact Mat/Plating:	Brass/Gold
Housing Mat/Plating:	Brass/Nickel
Gasket Material:	Nitrile (Buna N)
Accommodates Wall (thick):	.40" (1.0 mm) to .875" (22.2 mm)
ELECTRICAL	
Voltage Rating:	250 V
Max Amperage:	4.0 Amps
Number of Conductors:	5x22 (0.65mm) AWG
ENVIRONMENTAL	
Protection Class:	IEC IP67, NEMA 1,3,4,6
Temperature Range:	-40°C to 105°C (-40°F to 221°F)
APPROVALS	
NMEA:	NMEA 2000® APPROVED
IEC:	IEC 61162-3

Products

PART NUMBER	DESCRIPTION
BHF-CM-CF	Micro Bulkhead Feed-Thru

Multiport Box (Micro-Mid Male Homerun / Micro-Mid Female Drops)



Specifications

MECHANICAL	
Housing Mat/Color:	Nylon/Blue-Gray
Receptacle Mat/Plating:	Brass/Nickel
Contact Carrier Mat/Color:	Nylon/Black
Contact Mat/Plating:	Brass/Gold
ELECTRICAL	
Operating Voltage:	250 V
Operating Current:	4.0 Amps
ENVIRONMENTAL	
Protection Class:	IP67 – when receptacles are covered
Operating Temperature:	-30°C to 80°C (-22°F to 176°F)
APPROVALS	
NMEA:	NMEA 2000® Approved
IEC:	IEC 61162-3

Products

PART NUMBER	DESCRIPTION
CM-CF-4	Multiport Box (Micro-Mid Male Homerun / Micro-Mid Female Drops)